

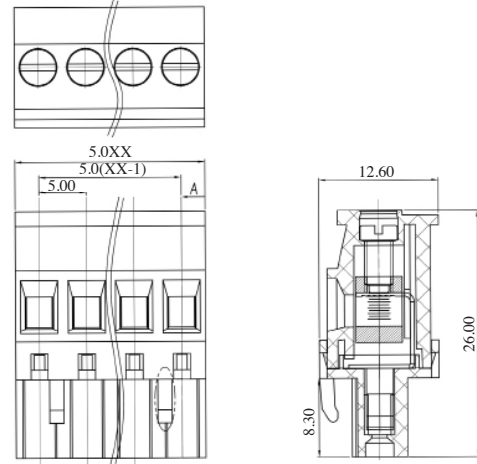
CAMBLOCK PLUS

PCB
TERMINAL
BLOCKS

Female Connector Vertical (reversed)

TYPE NO.	POLES	LENGTH
CTBP92VG/2R	2	10mm
CTBP92VG/3R	3	15mm
CTBP92VG/4R	4	20mm
CTBP92VG/5R	5	25mm
CTBP92VG/6R	6	30mm
CTBP92VG/7R	7	35mm
CTBP92VG/8R	8	40mm
CTBP92VG/9R	9	45mm
CTBP92VG/10R	10	50mm
CTBP92VG/11R	11	55mm
CTBP92VG/12R	12	60mm

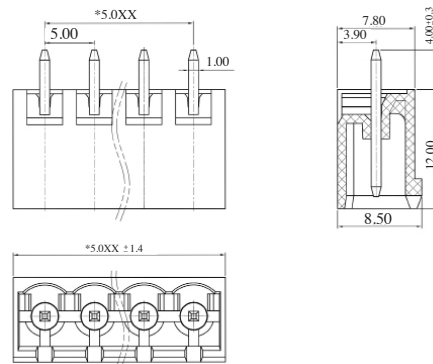
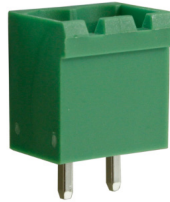
CTBP92VG/R



PCB Mounting Male Vertical (closed ended)

TYPE NO.	POLES	LENGTH
CTBP9300/2	2	11.2mm
CTBP9300/3	3	16.2mm
CTBP9300/4	4	21.2mm
CTBP9300/5	5	26.2mm
CTBP9300/6	6	31.2mm
CTBP9300/7	7	36.2mm
CTBP9300/8	8	41.2mm
CTBP9300/9	9	46.2mm
CTBP9300/10	10	51.2mm
CTBP9300/11	11	56.2
CTBP9300/12	12	61.2mm

CTBP9300



PCB Mounting Male Horizontal (closed ended)

TYPE NO.	POLES	LENGTH
CTBP9350/2	2	11.2mm
CTBP9350/3	3	16.2mm
CTBP9350/4	4	21.2mm
CTBP9350/5	5	26.2mm
CTBP9350/6	6	31.2mm
CTBP9350/7	7	36.2mm
CTBP9350/8	8	41.2mm
CTBP9350/9	9	46.2mm
CTBP9350/10	10	51.2mm
CTBP9350/11	11	56.2
CTBP9350/12	12	61.2mm

CTBP9350

