



12500 TI Boulevard, MS 8640, Dallas, Texas 75243

**PCN#20160823001**  
**Carrier Tape Change for select TSSOP Package Device**  
**Final Change Notification**

**Date:** 9/1/2016  
**To:** PREMIER FARNELL PCN

Dear Customer:

This is an announcement of change to a device that is currently offered by Texas Instruments. The details of this change are on the following pages.

Texas Instruments requires acknowledgement of receipt of this notification within **30** days of the date of this notice. Lack of acknowledgement of this notice within 30 days constitutes acceptance of the change. The proposed first ship date is indicated on page 3 of this notification, unless customer agreement has been reached on an earlier implementation of the change.

If additional data is required, requests must be received within 30 days of acknowledgement. You may contact the PCN Manager or your local Field Sales Representative to acknowledge this PCN and additional data if needed.

This notice does not change the end-of-life status of any product. Should product affected be on a previously issued product withdrawal/discontinuance notice, this notification does not extend the life of that product or change the life time buy offering/discontinuance plan.

For questions regarding this notice, contact your local Field Sales Representative or the PCN Manager ([PCN\\_ww\\_admin\\_team@list.ti.com](mailto:PCN_ww_admin_team@list.ti.com)).

Sincerely,

PCN Team  
SC Business Services

**20160823001**  
**Attachment: 1**

**Products Affected:**

The devices listed on this page are a subset of the complete list of affected devices. According to our records, these are the devices that you have purchased within the past twenty-four (24) months. The corresponding customer part number is also listed, if available.

<b>DEVICE</b>	<b>CUSTOMER PART NUMBER</b>
SN74ALVC164245DGGR	null
SN74ALVCH162373GR	null
SN74ALVCH16245DGGR	null
SN74AVC16T245DGGR	null
SN74AVCB164245GR	null
SN74LVC16245ADGGR	null
SN74LVC16T245DGGR	null
SN74LVTH162244DGGR	null
74AC16244DGGR	null
74ACT16244DGGR	null
74ACT16245DGGR	null
SN74ABT16245ADGGR	null
SN74ABTE16246DGGR	null
SN74ALVC16244ADGGR	null
SN74ALVC164245DGGT	null
SN74ALVCH16244DGGR	null
SN74ALVCH16373DGGR	null
SN74AVC16244DGGR	null
SN74AVCA164245GR	null
SN74AVCH16T245GR	null
SN74CB3T16210DGGR	null
SN74CBTD16210DGGR	null
SN74LVC162244ADGGR	null
SN74LVC16244ADGGR	null
SN74LVC16373ADGGR	null
SN74LVC16374ADGGR	null
SN74LVCH162244AGR	null
SN74LVCH16244ADGGR	null
SN74LVCH16245ADGGR	null
SN74LVCH16373ADGGR	null
SN74LVCH16T245DGGR	null
SN74LVCHR16245AGR	null
SN74LVT162245ADGGR	null
SN74LVT16244BDGGR	null
SN74LVT16245BDGGR	null
SN74LVTH162245DGGR	null
SN74LVTH162373DGGR	null
SN74LVTH162374DGGR	null
SN74LVTH16244ADGGR	null
SN74LVTH16245ADGGR	null
SN74LVTH16374DGGR	null
SN74VMEH22501ADGGR	null
SN74VMEH22501DGGR	null
SN74AUC16374DGGR	null

Technical details of this Product Change follow on the next page(s).

<b>PCN Number:</b>	20160823001	<b>PCN Date:</b>	Sept. 1, 2016
<b>Title:</b>	Carrier Tape Change for select TSSOP Package Device		
<b>Customer Contact:</b>	<a href="#">PCN Manager</a>	<b>Dept:</b>	Quality Services
<b>Proposed 1<sup>st</sup> Ship Date:</b>	Dec. 1, 2016		
<b>Change Type:</b>			
<input type="checkbox"/>	Assembly Site	<input type="checkbox"/>	Assembly Process
<input type="checkbox"/>	Design	<input type="checkbox"/>	Electrical Specification
<input type="checkbox"/>	Test Site	<input checked="" type="checkbox"/>	Packing/Shipping/Labeling
<input type="checkbox"/>	Wafer Bump Site	<input type="checkbox"/>	Wafer Bump Material
<input type="checkbox"/>	Wafer Fab Site	<input type="checkbox"/>	Wafer Fab Materials
<input type="checkbox"/>		<input type="checkbox"/>	Wafer Fab Process
<input type="checkbox"/>		<input type="checkbox"/>	Part number change

### PCN Details

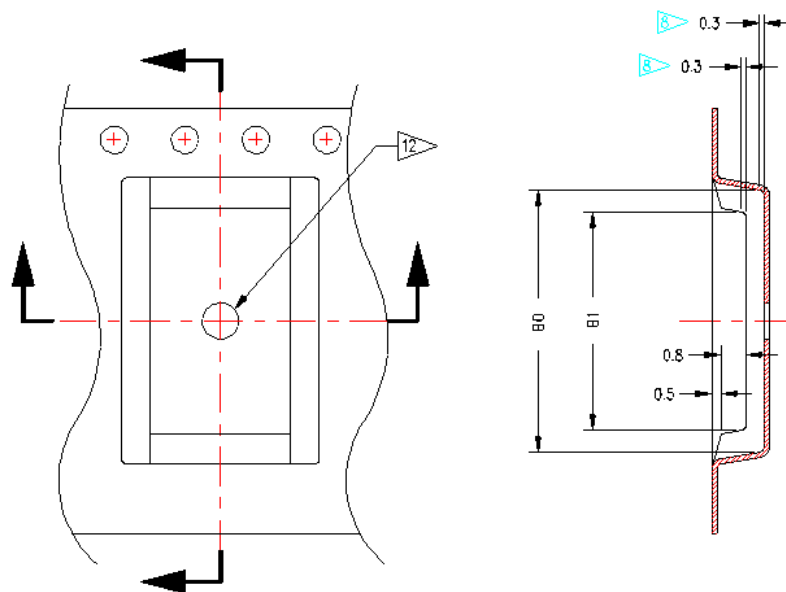
#### Description of Change:

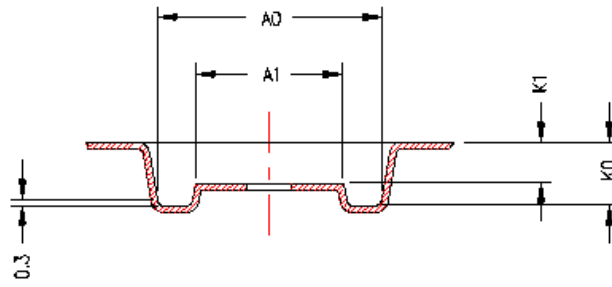
Texas Instruments is pleased to announce the qualification of a new carrier tape for select TSSOP Package Device. The material composition between the 2 carrier tapes is the same. A dimensional comparison summary is below:

#### Carrier tape Dimensions:

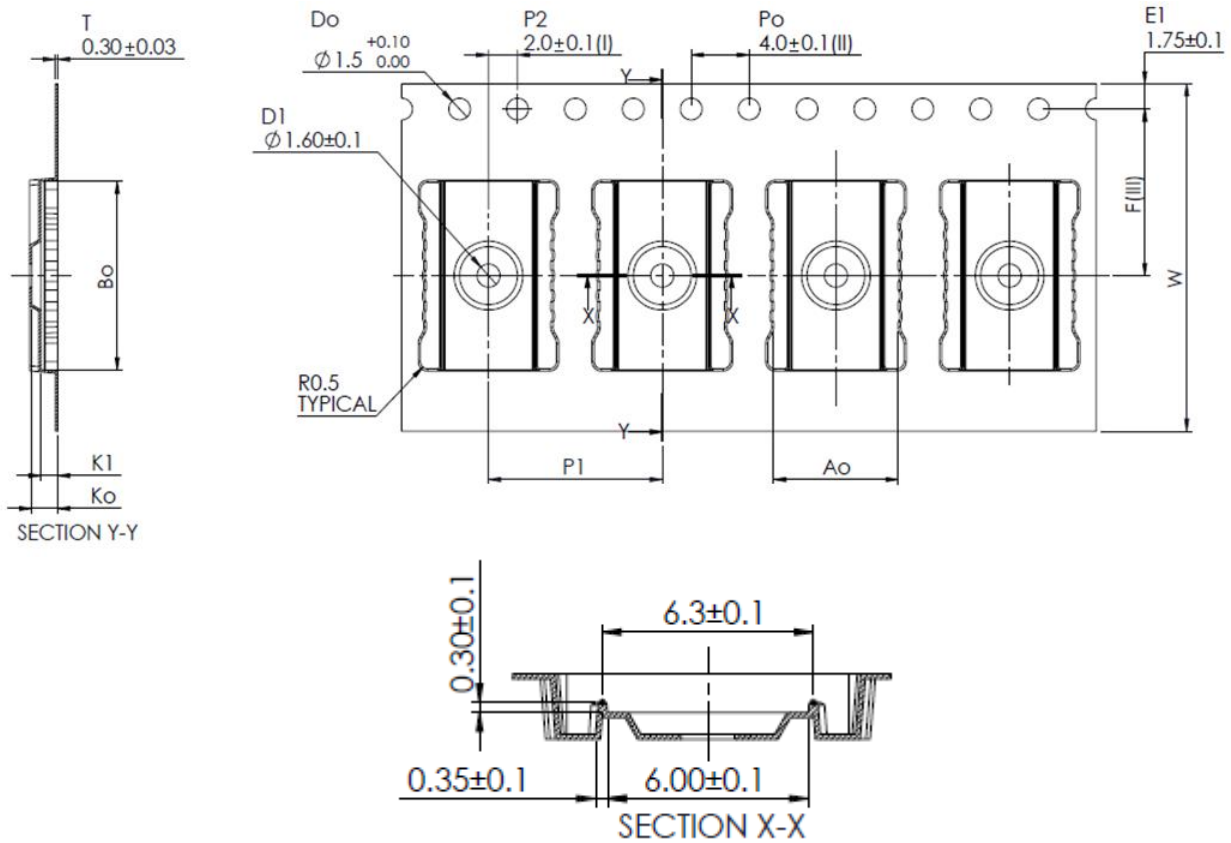
Dimension	From	To
Part No.	4068850-0015	<b>4212589-0040</b>
A0	8.60 (+/- 0.1) mm	8.60 (+/- 0.1) mm
B0	15.80 (+/- 0.1) mm	<b>13.00 (+/- 0.1) mm</b>
K0	1.80 (+/- 0.1) mm	1.80 (+/- 0.1) mm
K1	1.30 (+/- 0.1) mm	<b>1.15 (+/- 0.1) mm</b>
W	24.00 (+/- 0.3) mm	24.00 (+/- 0.3) mm

#### Current Design:





**Proposed Design:**



**Reason for Change:**

Quality Improvement

**Anticipated impact on Fit, Form, Function, Quality or Reliability (positive / negative):**

None

**Changes to product identification resulting from this PCN:**

New Carrier Tape design

**Product Affected:**

74ABT162244DGGRG4	74LVC162244ADGGRE4	SN74ABT16245ADGGR	SN74CBT16244CDGGR
74ABT16245ADGGRG4	74LVC162244ADGGRG4	SN74ABT16373ADGGR	SN74CBT16244DGGR
74ABT16373ADGGRE4	74LVC16244ADGGRG4	SN74ABT16374ADGGR	SN74CBT16245CDGGR
74ABT16373ADGGRG4	74LVC16245ADGGRG4	SN74ABT16540ADGGR	SN74CBT16245DGGR
74AC16244DGGR	74LVC16373ADGGRG4	SN74ABT16541ADGGR	SN74CBT16800CDGGR
74AC16244DGGRG4	74LVC16373DGGRE4	SN74ABT16640DGGR	SN74CBT16861DGGR
74ACT16244DGGR	74LVC16374ADGGRG4	SN74ABTE16245DGGR	SN74CBTD16210DGGR
74ACT16244DGGR-NG	74LVC16T245DGGRE4	SN74ABTE16246DGGR	SN74CBTLV16210GR

74ACT16244DGGRE4	74LVC16T245DGGRG4	SN74ABTH162245DGGR	SN74CBTLV16800GR
74ACT16244DGGRG4	74LVCH162244AGRG4	SN74ABTH16244DGGR	SN74GTLP2033DGGR
74ACT16245DGGR	74LVCH16244ADGGRG4	SN74ABTH16245DGGR	SN74GTLP22033DGGR
74ACT16245DGGRE4	74LVCH16245ADGGRG4	SN74AHC16240DGGR	SN74GTLP16945GR
74ACT16245DGGRG4	74LVCH16373ADGGRG4	SN74AHC16244DGGR	SN74HSTL16918DGGR
74AHC16240DGGRG4	74LVCH16374ADGGRG4	SN74AHC16373DGGR	SN74LV161284DGGR
74AHC16244DGGRG4	74LVCH16541ADGGRE4	SN74AHC16374DGGR	SN74LVC161284DGGR
74AHCT16244DGGRE4	74LVCH16T245DGGRE4	SN74AHC16540DGGR	SN74LVC162244ADGGR
74AHCT16244DGGRG4	74LVCH16T245DGGRG4	SN74AHC16541DGGR	SN74LVC16244ADGGR
74AHCT16245DGGRG4	74LVCHR16245AGRG4	SN74AHCT16240DGGR	SN74LVC16245ADGGR
74AHCT16373DGGRG4	74LVCR162245DGGRG4	SN74AHCT16244DGGR	SN74LVC16373ADGGR
74AHCT16374DGGRG4	74LVCR16245ADGGRG4	SN74AHCT16245DGGR	SN74LVC16373DGGR
74ALVC16244ADGGRE4	74LVT162244ADGGRE4	SN74AHCT16373DGGR	SN74LVC16374ADGGR
74ALVC164245DGGRE4	74LVT162245ADGGRE4	SN74AHCT16374DGGR	SN74LVC16374DGGR
74ALVC164245DGGRG4	74LVT16244BDGGRG4	SN74AHCT16540DGGR	SN74LVC16T245DGGR
74ALVC164245DGGTE4	74LVT16245BDGGRE4	SN74AHCT16541DGGR	SN74LVCE161284DGGR
74ALVC164245DGGTG4	74LVT16245BDGGRG4	SN74ALB16244DGGR	SN74LVCH162244AGR
74ALVCH162244GRG4	74LVTH162245DGGRG4	SN74ALB16245DGGR	SN74LVCH16240ADGGR
74ALVCH162373GRE4	74LVTH162245GRE4	SN74ALVC162334DGGR	SN74LVCH16244ADGGR
74ALVCH162373GRG4	74LVTH162373DGGRE4	SN74ALVC16244ADGGR	SN74LVCH16245ADGGR
74ALVCH16240DGGRE4	74LVTH162374DGGRG4	SN74ALVC16334DGGR	SN74LVCH16373ADGGR
74ALVCH16244DGGRE4	74LVTH16244ADGGRE4	SN74ALVC164245DGGR	SN74LVCH16374ADGGR
74ALVCH16245DGGRG4	74LVTH16244ADGGRG4	SN74ALVC164245DGGT	SN74LVCH16540ADGGR
74ALVCH16373DGGRG4	74LVTH16245ADGGRE4	SN74ALVCH162244GR	SN74LVCH16541ADGGR
74ALVCH16374DGGRE4	74LVTH16245ADGGRG4	SN74ALVCH162334GR	SN74LVCH16T245DGGR
74ALVCHR16245GRE4	74LVTH16373DGGRG4	SN74ALVCH162373GR	SN74LVCHR16245AGR
74ALVTH16244GRE4	74TVC16222ADGGRG4	SN74ALVCH162374GR	SN74LVCR162245DGGR
74ALVTH16244GRG4	74VMEH22501ADGGRE4	SN74ALVCH16240DGGR	SN74LVCR16245ADGG
74ALVTH16245GRE4	74VMEH22501DGGRE4	SN74ALVCH16244DGGR	SN74LVCR16245ADGGR
74ALVTH16373GRE4	AVC16T245DGGR-D	SN74ALVCH16245DGGR	SN74LVCZ161284AGR
74ALVTH16373GRG4	CDC2516DGGR	SN74ALVCH16373DGGR	SN74LVCZ16240ADGGR
74ALVTHR16245GRG4	CDC2516DGGRG4	SN74ALVCH16374DGGR	SN74LVCZ16244ADGGR
74AUC16374DGGRG4	CDC516DGGR	SN74ALVCH16973DGGR	SN74LVCZ16245ADGGR
74AVC16244DGGRE4	CDC516DGGRG4	SN74ALVCHR16245GR	SN74LVT162240DGGR
74AVC16373DGGRG4	CDC972DGGR	SN74ALVTH162244GR	SN74LVT162244ADGGR
74AVC16374DGGRE4	CDCV850DGGR	SN74ALVTH162245GR	SN74LVT162245ADGGR
74AVC16T245DGGR-P	CDCV850DGGRG4	SN74ALVTH16240GR	SN74LVT162245DGGR
74AVC16T245DGGRE4	CDCV857ADGGR	SN74ALVTH16244GR	SN74LVT16240DGGR
74AVC16T245DGGRG4	CDCV857ADGGRG4	SN74ALVTH16245GR	SN74LVT16244BDGGR
74AVCA164245GRE4	CDCV857BDGGR	SN74ALVTH16373GR	SN74LVT16245ADGGR
74AVCA164245GRG4	CDCV857BDGGRG4	SN74ALVTH16374GR	SN74LVT16245BDGGR
74AVCAH164245GRE4	CDCV857BIDGGR	SN74ALVTHR16245GR	SN74LVTH162240DGGR
74AVCAH164245GRG4	CDCV857BIDGGRG4	SN74AUC16240DGGR	SN74LVTH162241DGGR
74AVCB164245GRE4	CDCV857DGGR	SN74AUC16244DGGR	SN74LVTH162244DGGR
74AVCB164245GRG4	CDCV857DGGRG4	SN74AUC16245DGGR	SN74LVTH162245DGGR
74AVCBH164245GRE4	CDCVF857DGGR	SN74AUC16373DGGR	SN74LVTH162373DGGR
74AVCBH164245GRG4	CDCVF857DGGRG4	SN74AUC16374DGGR	SN74LVTH162374DGGR
74CB3Q16244DGGRG4	CLVCHR16245AGR-NG	SN74AUCH16244DGGR	SN74LVTH16240DGGR
74CB3T16210DGGRG4	CY74FCT162244TPACT	SN74AUCH16374DGGR	SN74LVTH16241DGGR
74CBT16209ADGGRG4	CY74FCT162245TPACT	SN74AVC16244DGGR	SN74LVTH16244ADGGR
74CBT16210DGGRE4	CY74FCT16240ATPACT	SN74AVC16245DGGR	SN74LVTH16245ADGGR
74CBT16245DGGRE4	CY74FCT16244ATPACT	SN74AVC16334DGGR	SN74LVTH162541DGGR
74CBT16245DGGRG4	CY74FCT16244CTPACT	SN74AVC16373DGGR	SN74LVTH16373DGGR
74CBTLV16210GRG4	CY74FCT16244TPACT	SN74AVC16374DGGR	SN74LVTH16374DGGR

74FCT162240ATPACT	CY74FCT16245ATPACT	SN74AVC16T245DGGR	SN74LVTH16541DGGR
74FCT162240CTPACT	CY74FCT16245CTPACT	SN74AVCA164245GR	SN74SSTV16857DGGR
74FCT162244ATPACT	CY74FCT16245TPACT	SN74AVCA406DGGR	SN74SSTVF16857GR
74FCT162244CTPACT	CY74FCT16373ATPACT	SN74AVCA406DGGRG4	SN74SSTVF16857GRG4
74FCT162245ATPACT	CY74FCT16373CTPACT	SN74AVCAH164245GR	SN74TVC16222ADGGR
74FCT162245CTPACT	CY74FCT16374ATPACT	SN74AVCB164245GR	SN74VMEH22501ADGGR
74FCT162373ATPACT	CY74FCT16374CTPACT	SN74AVCBH164245GR	SN74VMEH22501DGGR
74FCT162374ATPACT	HPA00014DGGR	SN74AVCH16T245GR	SN75C23243DGGR
74FCT162374CTPACT	HPA00024GR	SN74CB3Q16210DGGR	TRSF23243CDGGR
74FCT16244TPACTG4	HPA00126DGGR	SN74CB3Q16244DGGR	TS3DV416DGGR
74FCT16245TPACTE4	SN65C23243DGGR	SN74CB3Q16245DGGR	TS3DV416DGGRG4
74FCT162H244ATPACT	SN74ABT162244DGGR	SN74CB3T16210DGGR	TS3L301DGGR
74FCT162H245ATPACT	SN74ABT162245DGGR	SN74CB3T16210GR-P	TS3L301DGGRE4
74FCT162H245CTPACT	SN74ABT16240ADGGR	SN74CBT16209ADGGR	TS3L301DGGRG4
74FCT16373ATPACTG4	SN74ABT16241ADGGR	SN74CBT16210CDGGR	
74LVC161284DGGRG4	SN74ABT16244ADGGR	SN74CBT16210DGGR	

# Qualification Report



Revision: K

EQ# :  
A/T Site: TIM 1560

## Lead Package Carrier Tape Qualification Summary

Reference (QSS 003-008, 009-006, 014-102, 007-102)

<b>Supplier:</b>	C-PAK	
<b>Vendor Part No:</b>	NA	
<b>TI Part No:</b>	4212589-0040	(if available)
<b>Weight/meter (g):</b>	NA	
<b>Material:</b>	POLYSTYRENE	
<b>Package Description</b>	DGG 48	(yes/no)
<b>Package Designator:</b>	DGG 48	
<b>Result:</b>	<b>PASS</b>	
<b>Date:</b>	18th June 2016	

<b>I. First Article Inspection Test</b>	PASS	(Pass/Fail)
<b>II. Manufacturability Test</b>	PASS	
<b>III. Dimensional Test</b>	PASS	
<b>IV. Camber Test</b>	PASS	
<b>V. Surface Resistivity Test</b>	PASS	
<b>VI. Fit Analysis</b>	PASS	
<b>VII. Drop Test</b>	PASS	

For questions regarding this notice, e-mails can be sent to the regional contacts shown below or your local Field Sales Representative.

Location	E-Mail
USA	<a href="mailto:PCNAmericasContact@list.ti.com">PCNAmericasContact@list.ti.com</a>
Europe	<a href="mailto:PCNEuropeContact@list.ti.com">PCNEuropeContact@list.ti.com</a>
Asia Pacific	<a href="mailto:PCNAsiaContact@list.ti.com">PCNAsiaContact@list.ti.com</a>
Japan	<a href="mailto:PCNJapanContact@list.ti.com">PCNJapanContact@list.ti.com</a>