

TFT LCD MONITOR

USER MANUAL Series

Models:

L104AKL

L121AKL

L152AVL

L156HDL

L172AVL

L185AVL

L192AVL

L260HDL



CE

Table Of Contents

| | |
|---------------------------------------------------------------|----|
| Table of contents/ Warning..... | 2 |
| Precautions | 3 |
| About this user manual / Items included in the delivery | 4 |
| 1. IR-remote control | 5 |
| 2. LCD monitor mounting | 6 |
| 3. Monitor controls | 7 |
| 4. Connections | 8 |
| 5. Monitor settings via OSD menu | 10 |
| 5.1 Picture | 10 |
| 5.2 Sound | 10 |
| 5.3 OSD Setup | 11 |
| 5.4 Advance | 11 |
| 5.5 PIP..... | 11 |
| 5.6 PC | 12 |
| 5.7 Geometry | 12 |
| 6. Special features | 13 |
| 7. Technical specifications | 14 |

Warning:

TO REDUCE THE RISK OF FIRE OR ELECTRIC SHOCK, DO NOT EXPOSE THIS PRODUCT TO RAIN OR MOISTURE. DO NOT INSERT ANY METALLIC OBJECT THROUGH VENTILATION GRILLS.

Caution:



Explanation of Graphical Symbols



Danger: This symbol is intended to alert the user to the presence of un-insulated "dangerous voltage" within the product's enclosure that may be of sufficient magnitude to constitute a risk of electric shock to a person.



Warning: This symbol is intended to alert the user to the presence of important operating and maintenance (servicing) instructions in the literature accompanying the appliance

Precautions Safety-----

Installation-----

Should any liquid or solid object fall into the unit. Do not install the unit in an extremely hot or cabinet, unplug the unit and have it checked humid place or in a place subject to excessive by the qualified personnel before operating it dust or mechanical vibration.

The unit is not designed to be waterproof. Unplug the unit from the wall outlet if it is not Exposure to rain or water may damage the unit going to be used for several days or more. To disconnect the cord, pull it out by the plug. Never pull the cord itself.

Cleaning----- Clean the unit with a slightly damp soft cloth. Allow adequate air circulation to prevent Use a mild household detergent. Never use strong internal heat built-up. Do not place the unit on solvents such as thinner or benzene as they might surfaces. (rugs, blankets, etc.) or near materials damage the finish of the unit.(curtains, draperies) that may block the ventilation holes.

Retain the original carton and packing materials for safe transport of this unit in the future.

Safety Precautions

Federal Communications Commission (FCC) Statement

This Equipment has been tested and found to comply with the limits for a Class B digital device, pursuant to Part 15 of the FCC rules. These limits are designed to provide reasonable protection against harmful interference in a Residential installation. This equipment generates, uses and can radiate radio frequency energy and, if not installed and used in accordance with the instructions, may cause harmful interference to radio communications. However, there is no guarantee that interference will not occur in a particular installation. If this equipment does cause harmful interference to radio or television reception, which can be determined by turning the equipment off and on, the user is encouraged to try to correct the interference by one or more of the following measures:

- Reorient or relocate the receiving antenna.
 - Increase the separation between the equipment and receiver.
 - Connect the equipment into an outlet on a circuit different from that to which the receiver is connected.
- Consult the dealer or an experienced radio/TV technician for help. 3

- You are cautioned that changes or modifications not expressly approved by that party responsible for compliance could void your authority to operate the equipment.

This device complies with Part 15 FCC Rules. Operation is subject to the following two conditions: (1) This device may not cause harmful interference. (2) This device must accept any interference received including interference that may cause undesired

| | Audio 1 | Audio 2 |
|-----|---------|---------|
| AV1 | ✓ | |

About this user manual

This manual aims at assisting the user on how to operate the monitors described in this manual. This manual is subject to rigid quality control. However, no guarantee can be given that mistakes are not present. We reserve the right to make changes to the manual without prior notice. Before operating the appliance, please read this manual carefully and retain it for further reference. Verify that all appliance items are included in the delivery. Should items be missing, do not operate the appliance and contact your local dealer. Never attempt to repair the appliance yourself. This should only be done by qualified service personnel. Improper handling of the appliance will invalidate the warranty.

Items included in the delivery

- 1 x LCD monitor
- 1 x Power supply unit 12 V DC [Except for the 26"]
- 1 x Power cord
- 1 x VGA cable (Optional)
- 1 x Audio cable (Optional)
- 1 x IR remote control
- 1 x User manual

1. IR remote control



- (1). **Power:** Press this button to turn the monitor on/off.
- (2). **Zoom:** Press this button to toggle between the different picture formats: Full/Zoom/Subtitle/Regular/Panorama
- (3). **Mute:** Press this button to disable the sound. Press this button again to turn the sound on again.
- (4). **Freeze:** Press this button to freeze the picture. Press this button again to disable the freeze picture and to re-establish the normal picture.
- (5). **PC/HD, AV1/AV2, SV:** You can select the appropriate signal source directly (PC = VGA).
- (6). **Item:** Hot key for OSD adjustments of volume, contrast, brightness, hue, saturation, sharpness, and Red Green Blue.
- (7). **Source:** To switch the video inputs (or sub picture source in pip mode), please use the IR remote control included in the delivery This button is also used as „Enter“ and „Select“ function in the OSD menu and to confirm your selected settings in the OSD menu.
- (8). **OK / Menu:** Press this button to call-up the OSD menu. This button is also used as “Exit“. Note: The menu button is also used to return to the previous menu.
- (9). **Select ▲/▼:** Directional buttons up/down. (10). **Display:** Press this button to call-up screen information such as resolution, signal source, etc.

(11). **Picture:** Press this button to toggle between the different picture modes: User, Standard, Movie, Vivid.

(12). **PIP:** Press this button to select the picture-in-picture function. Define the size of the sub picture: Small, Medium, Large, POP Full, POP 4:3, OFF.

(13). **Swap:** When in PIP mode, press the swap button to switch the main picture and the sub picture. The swap button is only active if you have defined a sub-picture before.

(14). **Position:** When in PIP mode, press the position button to define the position of the sub-picture: Either in one of the four screen corners or centred.

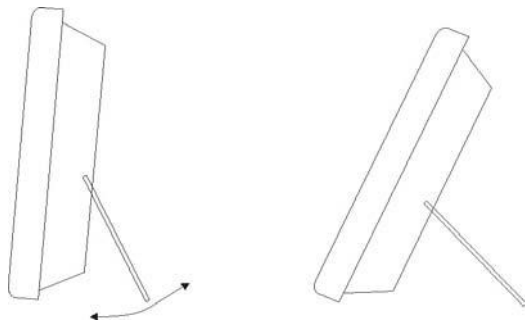
(15). **ID:** Can be control several monitors are installed in the same area. In ID mode, press ID key, then input setting number (01~99), to unlock "ID" function.

Please press "ID" key again to lock "ID" function. (16). **0~9** For ID setting number used. (17). **USB/Right/Left/Catalog: No use**

2 LCD monitor Mounting Guide

A. Desktop

Adjust the viewing angle of LCD to fit most comfortable monitoring status.

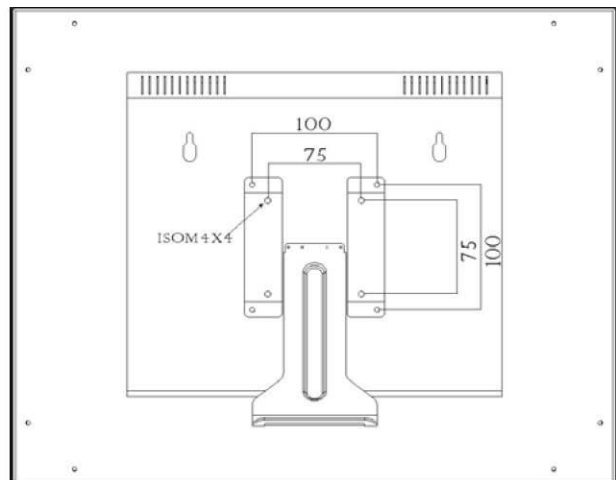
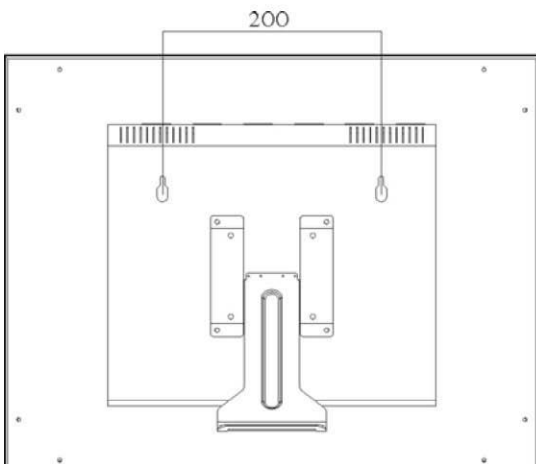


B. Wall mount

Free your space with wall mount design. size in back panel to install the LCD to the wall.

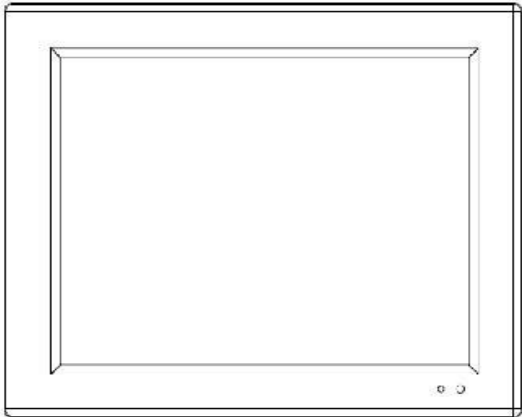
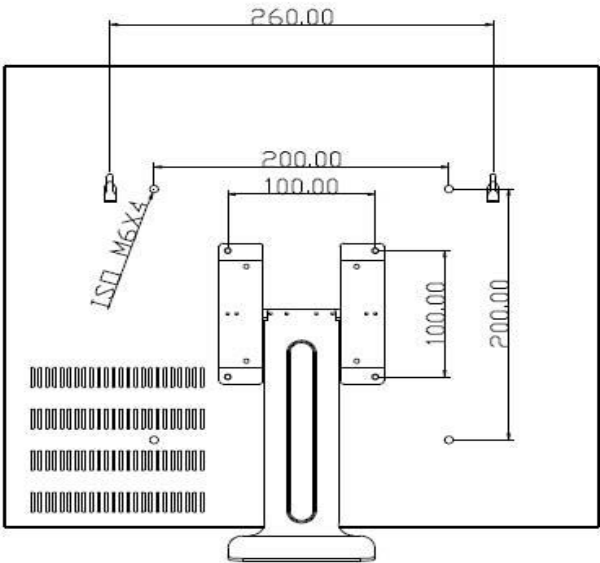
Please follow the fix-hole

C. VESA Bracket



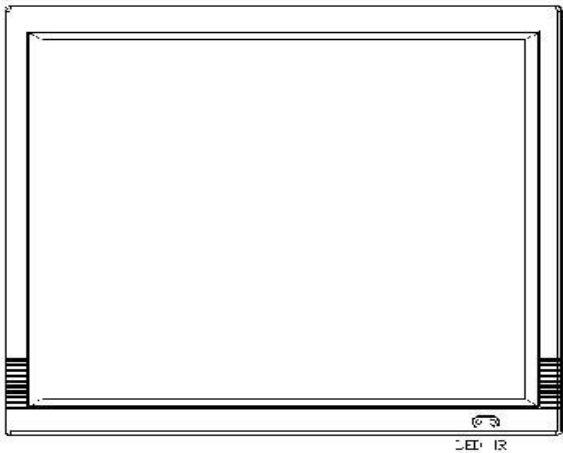
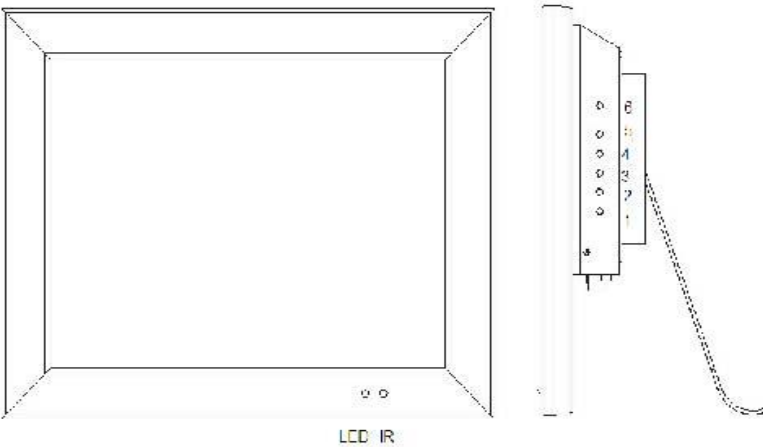
3 Monitor controls

26" 10.4" Plastic

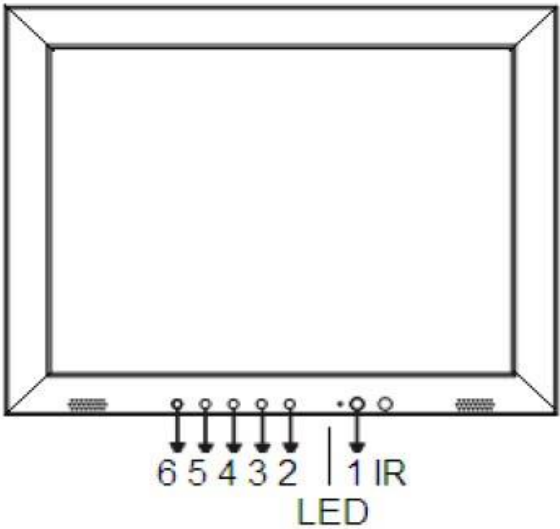
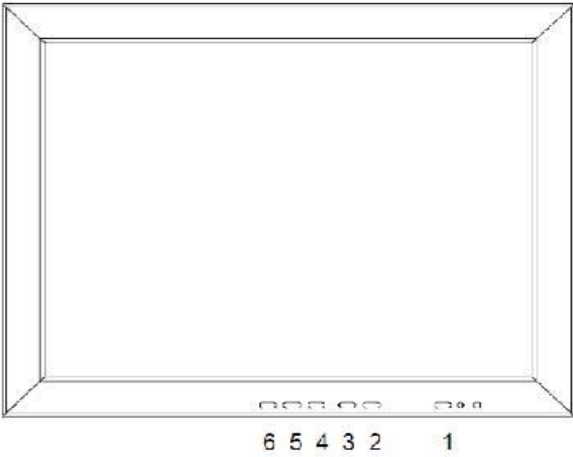


10.4"/12.1"/15"/15.6"/17"/18.5"/19" Aluminum

15'/17'/19" Plastic



15"/17"/19"/26" Aluminium 15"/17" Aluminium (150/170)



(1). Power

Turn the monitor on/off. LED: Green Monitor on
LED: Red: Standby mode (no input signal)

(2./3). Adjust Up / Down ▲/▼

Increase or decrease the values in the OSD menu:
Up: Increase the values. Down: Decrease the values.

(4). Item/Select:

Hot key for OSD adjustments of volume, contrast, brightness, hue, saturation, sharpness, and Red, Green, Blue.

(5). Menu/Function:

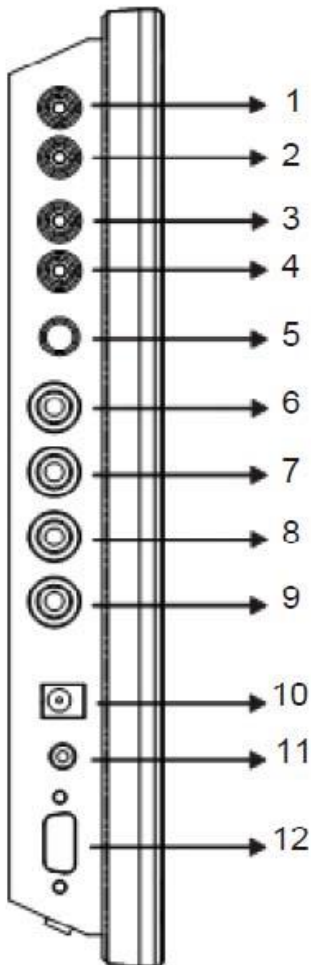
Press this button to call-up the OSD menu.
This button is also used as "Exit".

(6). Source:

To switch the video inputs, (or sub picture source in pip mode) This button is also used as "Enter" and "Select" function in the OSD menu and to confirm your selected settings in the OSD menu.

KEY Lock Function: *Push "Menu" and "Item" after the LED flashes, OSD of screen will show "Key Lock", Into key lock mode. And push again after the LED flashes, OSD of screen will show "Key Unlock ", Into key unlock mode.**

4. Connections

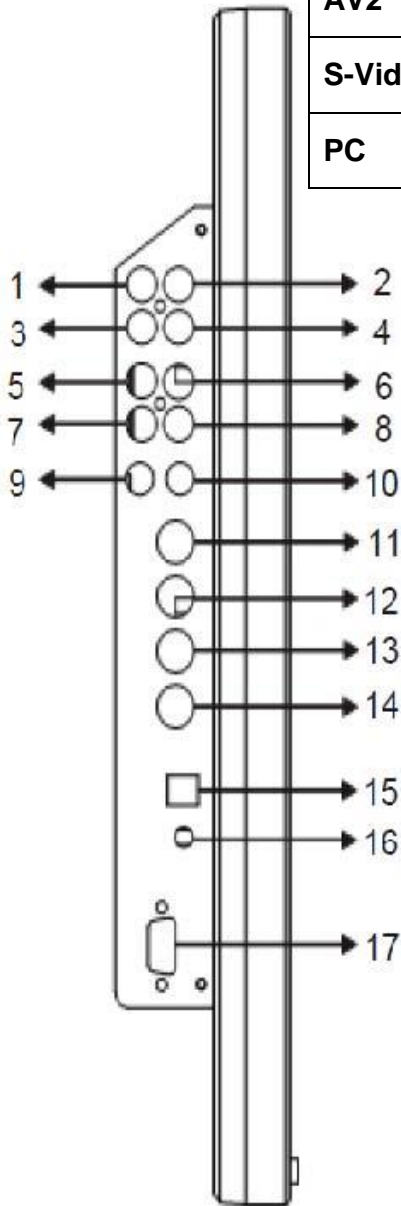


- 1: AUDIO 2 OUT Audio looping output for AUDIO 2
- 2: AUDIO 2 IN Audio 2 signal input, for AV2/YC/PC
- 3: AUDIO 1 OUT Audio looping output for AUDIO 1
- 4: AUDIO 1 IN Audio 1 signal input, for AV1
- 5: YC(S-VIDEO) IN YC separated signal input.
- 6: VIDEO 2 OUT Video looping output for VIDEO2.
- 7: VIDEO 2 IN Composite signal input for VIDEO2.
- 8: VIDEO 1 OUT Video looping output for VIDEO1.
- 9: VIDEO 1 IN Composite signal input for VIDEO1
- 10: DC12V IN
- 11: AUDIO Live out (Ear phone out)
- 12: PC VGA IN

NOTE:
Connections of Audio

This device complies with Part 15 FCC Rules. Operation is subject to the following conditions: (1) This device may not cause harmful interference. (2) This device must accept any interference received including interference that may cause undesired operation.

L152AVL - L172AVL - L260HD



| | Audio 1 | Audio 2 |
|---------|---------|---------|
| AV1 | ✓ | |
| AV2 | | ✓ |
| S-Video | | ✓ |
| PC | | ✓ |

1, 2: AUDIO 2 OUT (L/R) Audio looping output for AUDIO 2
 3, 4: AUDIO 2 IN (L/R) Stereo Audio 2 signal input, for AV2/YC/PC
 5, 6: AUDIO 1 OUT (L/R) Audio looping output for AUDIO 1
 7, 8: AUDIO 1 IN (L/R) Stereo Audio 1 signal input, for AV1

9: YC(S-VIDEO) IN YC separated signal input.
 10: YC(S-VIDEO) OUT YC separated signal output
 11: VIDEO 2 OUT Video looping output for VIDEO2.
 12: VIDEO 2 IN Composite signal input for VIDEO2.
 13: VIDEO 1 OUT Video looping output for VIDEO1.
 14: VIDEO 1 IN Composite signal input for VIDEO1
 15: DC12V IN
 16: AUDIO Live out (Ear phone out)
 17: PC VGA IN

NC
Co

| | Audio 1 | Audio 2 |
|---------|---------|---------|
| AV1 | ✓ | |
| AV2 | | ✓ |
| S-Video | | ✓ |
| PC | | ✓ |

5. Monitor settings via OSD

Menu Monitor settings can be made using the OSD menu (On Screen Display).

Press the Menu/OK button to call-up the OSD main menu. Here you can make adjustments to the following items:

Picture Sound
OSD Setup

Advance

PIP PC (at PC input signal)

Geometry (at PC input signal)

Use the ▲/▼ buttons to toggle between the different items.

Press the Source button to select the appropriate item.

5.1 Picture

Use the ▲ ▼ buttons to select adjusts item, and press source button to confirm.

Then use the ▲ ▼ buttons to increase/decrease the values, or use “source” button to change the values. Press the menu button to return to the previous menu item.

| Item | Description |
|-----------------------|----------------------------------------------------------------------------------------|
| Contrast | Use the ▲ ▼ buttons to increase/decrease the screen contrast. |
| Brightness | Use the ▲ ▼ buttons to increase/decrease the screen brightness. |
| Hue | Use the ▲ ▼ buttons to increase/decrease the hue. |
| Saturation | Use the ▲ ▼ buttons to increase/decrease the saturation. |
| Sharpness | Use the ▲ ▼ buttons to increase/decrease the sharpness. |
| Color Temp. | Use the source buttons to select the color temperature: Normal , Warm, , Cool, User. |
| Picture Mode | Use the source buttons to select the picture mode: User, Standard, Movie, Vivid. |
| DNR (Noise Reduction) | Use the source buttons to select the level of noise reduction: Off, Low, Medium, High. |
| DLC | Use the source buttons to change the Black Level Extension on/off. |

5.2 Sound

Use the ▲ ▼ buttons to select adjusts item, and press source button to confirm.

Then use the ▲ ▼ buttons to increase/decrease the values, or use “source” button to change the values. Press the menu button to return to the previous menu item.

| Item | Description |
|------------|----------------------------------------------------------------------------|
| Volume | Use the ▲ ▼ buttons to adjust the volume. |
| Mute | Use the source buttons to change the Mute on/off. |
| Sound Mode | Use the source buttons to adjust the effect: User, Standard, Movie, Vivid. |
| Bass | Use the ▲ ▼ buttons to adjust the bass.(for R/L Audio in use) |
| Treble | Use the ▲ ▼ buttons to adjust the treble. (for R/L Audio in use) |
| Balance | Use the ▲ ▼ buttons to adjust the balance. (for R/L Audio in use) |

5.3 OSD Setup

Use the ▲▼ buttons to select adjusts item, and press source button to confirm. Then use the ▲▼ buttons to increase/decrease the values, or use “source” button to change the values. Press the menu button to return to the previous menu item.

| Item | Description |
|--------------------|--------------------------------------------------------------------------------------------------------------------------------------------------------------------------------------------------------------------------------------------------------------------------------|
| Language | Use the source buttons to select the language. |
| Set ID | Can be control several monitors are installed in the same area. Use the source buttons to into the function then use up/down key to select you setting the number(01~99), then press menu to exit. OSD. Press IR remote control “ID” key again to confirm the SET ID function. |
| Gamma | Use the source buttons to set the gamma values.(0,1,2) |
| Freeze | Use the source buttons to freeze the picture. Press this button again to disable the freeze picture and to re-establish the normal picture. |
| OSD Time | Use the ▲▼ buttons to setting the OSD menu display time. |
| OSD Halftone | Use the ▲▼ buttons to setting the OSD menu display halftone. |
| Recall | Press the source button to restore the factory settings. |
| Obiter (Anti blur) | Use the source buttons to on/off the screen saver:[Screen protector-Anti blur] |
| Version | Firmware Version |

5.4 Advance

Use the ▲▼ buttons to select adjusts item, and press source button to confirm. Then use the ▲▼ buttons to increase/decrease the values, or use “source” button to change the values. Press the menu button to return to the previous menu item.

| Item | Description |
|------------|-------------------------------------------------------------------------------------------|
| Scale | Use the source buttons to select the picture size: Full/Zoom/Subtitle/Regular/ /Panorama. |
| Scan Size | Use the source buttons to select the real image size: Normal/Native |
| H Position | Use the ▲▼ buttons to position the picture horizontally. |
| V Position | Use the ▲▼ buttons to position the picture vertically. |

5.5 PIP

Use the ▲▼ buttons to select adjusts item, and press source button to confirm. Then use the ▲▼ buttons to increase/decrease the values, or use “source” button to change the values. Press the menu button to return to the previous menu item.

| Item | Description |
|---------------|--------------------------------------------------------------------------------------------------------------------------------------------------|
| Multi Window | Use source button to select the picture-in-picture function: PIP, POP Full ,POP 4:3 Off. |
| Sub Source | Use source button to select the source of the PIP sub-picture. |
| Size | Use source button to set the size of the sub-picture: Small , Medium, Large. |
| Position | Use source button to define the position of the sub-picture. Note: This function is only active if you have previously defined a sub picture. |
| Border Colour | Use source button to select the sub-picture background colour: Black /Blue. |
| Sound Source | Use source button to select the sound source: Main/Sub. |
| Swap | Use source button to swap the main picture and the sub picture. Note: This function is only active if you have previously defined a sub picture. |

5.6 PC

Use the ▲ ▼ buttons to select adjusts item, and press source button to confirm. Then use the ▲ ▼ buttons to increase/decrease the values, or use “source” button to change the values. Press the menu button to return to the previous menu item.

| Item | Description |
|-------------|-----------------------------------------------------------------------------------------|
| Contrast | Use the ▲ ▼ buttons to increase/decrease the screen contrast. |
| Brightness | Use the ▲ ▼ buttons to increase/decrease the screen brightness. |
| Colour Temp | Use the source buttons to select the color temperature: Normal , Warm, Cool, RGB, User. |
| Scale | Use the source buttons to select the picture size: Normal/Center |
| Auto Adjust | Use the source buttons to Adjust the best image. |

5.7 Geometry

Use the ▲ ▼ buttons to select adjusts item, and press source button to confirm. Then use the ▲ ▼ buttons to increase/decrease the values, or use “source” button to change the values. Press the menu button to return to the previous menu item.

| Item | Description |
|-------------|--------------------------------------------------------------------------------------------------|
| H Position | Use the ▲ ▼ buttons to position the picture horizontally. |
| V Position | Use the ▲ ▼ buttons to position the picture vertically. |
| Clock | Use the ▲ ▼ buttons to Adjust image distortion appearing as vertical or “noise” on the screen. |
| Phase | Use the ▲ ▼ buttons to Adjust image distortion appearing as horizontal or “noise” on the screen. |

PC timing:

| Mode | Resolution |
|------|------------------|
| 1 | 800 x 600 @ 60 |
| 2 | 800 x 600 @ 72 |
| 3 | 800 x 600 @ 75 |
| 4 | 1024 x 768 @ 60 |
| 5 | 1280 x 1024 @ 60 |
| 6 | 1360 x 768 @ 60 |

6. Special features

- ? Special Video Processor.
- ? PIP Control Function (Only PC/Video).[Video/Video option]
- ? Screen protector (Anti-blur /Image auto move).
- ? NTSC/PAL Auto Switch.
- ? 3D De-interlace Technology.
- ? 3D Comb Filter Technology.
- ? Automatic Color Control and Color Killer.
- ? Luminance transient improvement (LTI),Chrominance transient improvement(CTI)
- ? Directional zoom engine.
- ? Video out support auto termination (75 Ohms).
- ? Build-in 2W speaker,
- ? Support IR remote controller.
- ? VESA standard bracket 75/100mm

7. Technical specifications

| Monitor model | 104AS-MDE | 104AK3-MDE |
|--------------------------|----------------------------------------|-----------------------|
| System | PAL / NTSC | |
| LCD panel | 10.4" | 10.4" |
| Visible area (mm) | 211.2 x 158.4 | 211.2x 158.4 |
| Picture format | 4 : 3 | 4:3 |
| Max. resolution | 640 x 480 | 1024x768 |
| Pixel dot pitch (mm) | 0.33 x 0.33 | 0.20625 x 0.20625 |
| Colours | 262 K | 262K |
| Brightness | 330 cd/m ² | 350 cd/m ² |
| Contrast | 300:1 | 900:1 |
| Response time | 35ms | 16 ms |
| View angle (U/D/L/R) | 40/70/70/70 | 75/75/75/75 |
| Video input/output | 2x / 2x Composite (BNC) | |
| S-Video input | 1x 4 Pin Mini Dim | |
| Audio input/output | 2x / 2x (RCA) | |
| PC input | 1x VGA input (D-Sub 15 pin) | |
| Speaker | 1x built-in speaker (2 watt) | |
| 3D Comb Filter | Yes | |
| 3D De-Interlace function | Yes | |
| Picture-in-Picture (PIP) | Yes (video/PC) | |
| OSD setting | Yes | |
| Power input | AC 100-240V 50/60Hz, Adapter DC 12V/3A | |
| Power consumption | Approx. 14 watt | Approx. 8 watt |
| Dimensions (W*H*D) mm | 266 x 214 x 60 | 266 x 214 x 60 |
| Weight | 2.3 kg | 2.3 kg |
| Operating temperature | 0° to 40° C | |

| Monitor model | L104AKL | | L121AKL | |
|--------------------------|----------------------------------------|-----------------------|-----------------------------|-----------------------------|
| System | PAL / NTSC | | | |
| LCD panel | 10.4" | | 12.1" | |
| Visible area (mm) | 211.2 x 158.4 | | 246 x 184.5 | 245.76x184.33 |
| Picture format | 4 : 3 | | 4:3 | |
| Max. resolution | 800 x 600 | | 800x600 | 1024x768 |
| Pixel dot pitch (mm) | 0.264 x 0.264 | | 0.3075 x 0.3075 | 0.240x0.240 |
| Colours | 262 K | | 262K | 16.7M |
| Brightness | 250 cd/m ² | 400 cd/m ² | 450 cd/m ² [LED] | 400 cd/m ² [LED] |
| Contrast | 500:1 | 700 :1 | 700:1 | 600:1 |
| Response time | 20ms | 30 ms | 35 ms | 25ms |
| View angle (U/D/L/R) | 50/60/70/70 | 60/80/80/80 | 65/75/80/80 | 80/60/80/80 |
| Video input/output | 2x / 2x Composite (BNC) | | | |
| S-Video input | 1x 4 Pin Mini Dim | | | |
| Audio input/output | 2x / 2x (RCA) | | | |
| PC input | 1x VGA input (D-Sub 15 pin) | | | |
| Speaker | 1x built-in speaker (2 watt) | | | |
| 3D Comb Filter | Yes | | | |
| 3D De-Interlace function | Yes | | | |
| Picture-in-Picture (PIP) | Yes (video/PC) | | | |
| OSD setting | Yes | | | |
| Power input | AC 100-240V 50/60Hz, Adapter DC 12V/5A | | | |
| Power consumption | Approx. 8 watt | 10 watt | Approx. 12 watt | 18 watt |
| Dimensions (W x H x D) | 206 x 214 x 60 | | 300 x 239 x 61 | |
| Weight | 2.3 kg | | 2.6 kg | |
| Operating temperature | 0° to 40° C | | | |

Subject to technical changes without prior notice. Error excepted.

Subject to technical changes without prior notice. Error excepted.

Subject to technical changes without prior notice. Error excepted.

Subject to technical changes without prior notice. Error excepted.

| Monitor model | L152AVL | L156AVL |
|--------------------------|-----------------------------------------------|-----------------------------|
| System | PAL / NTSC | |
| LCD panel | 15" | 15.6" |
| Visible area (mm) | 304 x 228 | 344.2 x 193.5 |
| Picture format | 4 : 3 | 16:9 |
| Max. resolution | 1024 x 768 | 1366x768 |
| Pixel dot pitch (mm) | 0.297 x 0.297 | 0.252 x0.252 |
| Colours | 16.7M | 16.7M |
| Brightness | 250 cd/m ² / 400 cd/m ² | 300 cd/m ² [LED] |
| Contrast | 600 :1 | 500:1 |
| Response time(Tr/Tf) | 6/2 ms | 6/2 ms |
| View angle (U/D/L/R) | 80/80/80/80 | 80/80/85/85 |
| Video input/output | 2x / 2x Composite (BNC) | |
| S-Video input | 1x 4 Pin Mini Dim | |
| Audio input/output | 2x / 2x (RCA) | |
| PC input | 1x VGA input (D-Sub 15 pin) | |
| Speaker | 1x built-in speaker (2 watt) | |
| 3D Comb Filter | Yes | |
| 3D De-Interlace function | Yes | |
| Picture-in-Picture (PIP) | Yes (video/PC) | |
| OSD setting | Yes | |
| Power input | AC 100-240V 50/60Hz, Adapter DC 12V/5A | |
| Power consumption | Approx. 21 watt | Approx. 19 watt |
| Dimensions (W*H*D) mm | 357 x 283 x 64 | 401.5 x 251x 60.3 |
| Weight | 3.2 kg | 3.4kg |
| Operating temperature | 0° to 40° C | |

| Monitor model | L172AVL | L185AVL | L192AVL |
|--------------------------|-----------------------------------------------|-----------------------------|-----------------------------|
| System | PAL / NTSC | | |
| LCD panel | 17" | 18.5" | 19" |
| Visible area (mm) | 338 x 270 | 409.8x 230.4 | 376x301 |
| Picture format | 4 : 3 | 16:9 | 4:3 |
| Max. resolution | 1280 x 1024 | 1366x768 | 1280x1024 |
| Pixel dot pitch (mm) | 0.264 x 0.264 | 0.3x0.3 | 0.098 x 0.249 |
| Colours | 16.7M | 16.7M | 16.7M |
| Brightness | 250 cd/m ² 400 cd/m ² | 250 cd/m ² [LED] | 250 cd/m ² [LED] |
| Contrast | 1000 :1 | 1000:1 | 1000:1 |
| Response time | 1.2/3.8 ms | 3.6/1.4 ms | 1.3/3.7 ms |
| View angle (U/D/L/R) | 80/80/80/80 | 80/80/85/85 | 80/80/85/85 |
| Video input/output | 2x / 2x Composite (BNC) | | |
| S-Video input | 1x 4 Pin Mini Dim | | |
| Full HD input | 1x Full HD (A Type) | | |
| Audio input/output | 2x / 2x (RCA) | | |
| PC input | 1x VGA input (D-Sub 15 pin) | | |
| Speaker | 1x built-in speaker (2 watt) | | |
| 3D Comb Filter | Yes | | |
| 3D De-Interlace function | Yes | | |
| Picture-in-Picture (PIP) | Yes (video/PC) | | |
| OSD setting | Yes | | |
| Power input | AC 100-240V 50/60Hz, Adapter DC 12V/5A | | |
| Power consumption | Approx. 30 watt | Approx. 21 watt | Approx. 25 watt |
| Dimensions (W*H*D) mm | 391 x 352 x 69 | 464.4 x 285 x 63.2 | 430x 356 x 66.7 |
| Weight | 3.9kg | 4.2 kg | 5.5kg |
| Operating temperature | 0° to 40° C | | |

| Monitor model | L152AVL | L172AVL | L260AVL |
|--------------------------|----------------------------------------|---------------------------------------------|------------------------|
| System | PAL / NTSC | | |
| LCD panel | 15" | 17" | 26" |
| Visible area (mm) | 304 x 228 | 338 x 270 | 575.7 x 323.7 |
| Picture format | 4 : 3 | 4 : 3 | 16 : 9 |
| Max. resolution | 1024 x 768 | 1280 x 1024 | 1366 x 768 |
| Pixel dot pitch (mm) | 0.297 x 0.297 | 0.264 x 0.264 | 0.4215 x 0.4215 |
| Colours | 16.7M | 16.7M | 16.7M |
| Brightness | 250 cd/m ² | 250 cd/m ² 400 cd/m ² | 420 cd/m ² |
| Contrast | 600 :1 | 1000 :1 | 3000 :1 |
| Response time(Tr+Tf) | 8 ms | 5 ms | 6.5 ms |
| View angle (U/D/L/R) | 80/80/80/80 | 80/80/80/80 | 89/89/89/89 |
| Video input/output | 2x / 2x Composite (BNC) | | |
| S-Video input/output | 1x /1x 4 Pin Mini Dim | | |
| Audio(L/R) input/output | 4x / 4x (RCA) | | |
| PC input | 1x VGA input (D-Sub 15 pin) | | |
| Speaker | 2x built-in speaker (2 watt) | | |
| 3D Comb Filter | Yes | | |
| 3D De-Interlace function | Yes | | |
| Picture-in-Picture (PIP) | Yes (video/PC) | | |
| OSD setting | Yes | | |
| Power input | AC 100-240V 50/60Hz, Adapter DC 12V/5A | | AC 100-240V 50/60Hz |
| Power consumption | Approx. 21 watt | Approx. 30 watt | Approx. 70 watt |
| Dimensions (W*H*D) mm | 385 x 310 x 80 | 420 x 350x 80 | 663 x 411 x 107 |
| Weight | 4.2 kg | 5.7kg | 9.9kg |
| Operating temperature | 0° to 40° C | | |

| Problem | Possible Causes | Solutions |
|---------------------------|-----------------------------------------------------------------------------------------------------------------------------------------------------------|----------------------------------------------------------------------------------------------------------------------------------------------------------------------------------------------------------|
| No picture | 1. Is the power cable connected to the unit? 2. Is the unit turned on? 3. Is the signal cable connected to the unit? 4. Is the unit in power saving mode? | 1. Make sure the power cable has been properly connected to the unit. 2. Turn on the unit. 3. Make sure the signal cable has been properly connected to the unit. 4. Press any key on computer keyboard. |
| Strange color | 1. Is the signal cable connected to the unit? | 1. Make sure the signal cable has been properly connected to the unit. |
| Picture distortion | 1. Is the signal cable connected to the unit? 2. Is the video input signal within the unit's specified frequency range? | 1. Make sure the signal cable has been properly connected to the unit. 2. Make sure the input signal is within the unit's specified frequency range. |
| Picture is too dim | 1. Have the unit's brightness and contrast settings been set to the lowest level? | 1. Adjust brightness and contrast |
| Only sound but no picture | 1. Is the connection of the input signal correct? | 1. Check connection of input signal. 2. Make sure the signal cable has been properly connected. |
| Only picture | 1. Is the signal cable connected to the unit? 2. Has the volume been set to the min level? 3. Is the audio cable connected to the unit? | 1. Make sure the signal cable has been properly connected to the unit. 2. Adjust the volume to an appropriate setting. 3. Make sure the audio cable has been properly |

Appendixes

Troubleshooting

The tables provided below include some problems that the user may encounter while using the display and the corresponding solutions. Please refer to the contents of this section prior to contacting service personnel.

| Monitor model | L152AVL | L172AVL | L260AVL |
|--------------------------|----------------------------------------|---------------------------------------------|-----------------------|
| System | PAL / NTSC | | |
| LCD panel | 15" | 17" | 26" |
| Visible area (mm) | 304 x 228 | 338 x 270 | 575.7 x 323.7 |
| Picture format | 4 : 3 | 4 : 3 | 16 : 9 |
| Max. resolution | 1024 x 768 | 1280 x 1024 | 1366 x 768 |
| Pixel dot pitch (mm) | 0.297 x 0.297 | 0.264 x 0.264 | 0.4215 x 0.4215 |
| Colours | 16.7M | 16.7M | 16.7M |
| Brightness | 250 cd/m ² | 250 cd/m ² 400 cd/m ² | 420 cd/m ² |
| Contrast | 600 :1 | 1000 :1 | 3000 :1 |
| Response time(Tr+Tf) | 8 ms | 5 ms | 6.5 ms |
| View angle (U/D/L/R) | 80/80/80/80 | 80/80/80/80 | 89/89/89/89 |
| Video input/output | 2x / 2x Composite (BNC) | | |
| S-Video input/output | 1x /1x 4 Pin Mini Dim | | |
| Audio(L/R) input/output | 4x / 4x (RCA) | | |
| PC input | 1x VGA input (D-Sub 15 pin) | | |
| Speaker | 2x built-in speaker (2 watt) | | |
| 3D Comb Filter | Yes | | |
| 3D De-Interlace function | Yes | | |
| Picture-in-Picture (PIP) | Yes (video/PC) | | |
| OSD setting | Yes | | |
| Power input | AC 100-240V 50/60Hz, Adapter DC 12V/5A | | AC 100-240V 50/60Hz |
| Power consumption | Approx. 21 watt | Approx. 30 watt | Approx. 70 watt |
| Dimensions (W*H*D) mm | 385 x 310 x 80 | 420 x 350x 80 | 663 x 411 x 107 |
| Weight | 4.2 kg | 5.7kg | 9.9kg |
| Operating temperature | 0° to 40° C | | |

| Problem | Possible Causes | Solutions |
|------------------------------------------------------------------------------------------------------------------------------------------------------------|------------------------------------------------------------------------------------------------------------------------------------------------------------------------------------------------|----------------------------------------------------------------------------------------------------------------------------------------------------------------------------------------------------------|
| Please contact the customer service center of your local dealer if you have any questions regarding the unit after reading the information provided above. | | |
| No picture | 1. Is the power cable connected to the unit properly? 2. Is the power cable properly connected to the unit? 3. Is the signal cable connected to the unit? 4. Is the unit in power saving mode? | 1. Make sure the power cable has been properly connected to the unit. 2. Turn on the unit. 3. Make sure the signal cable has been properly connected to the unit. 4. Press any key on computer keyboard. |
| Strange color | 1. Is the signal cable connected to the unit? | 1. Make sure the signal cable has been properly connected to the unit. |
| Picture distortion | 1. Is the signal cable connected to the unit? 2. Is the video input signal within the unit's specified frequency range? | 1. Make sure the signal cable has been properly connected to the unit. 2. Make sure the input signal is within the unit's specified frequency range. |
| Picture is too dim | 1. Have the unit's brightness and contrast settings been set to the lowest level? | 1. Adjust brightness and contrast |
| Only sound | 1. Is the connection of the input signal | 1. Check connection of input signal. 2. Make |