

5vdc 1A USB European Power Supply



Description:

This 5vdc 1 amp USB power supply comes with fixed European AC pins and a 1.8 Metre Micro USB DC cable. It has a 90-264vac input for world use. It carries full international safety approvals and meet latest energy efficiency requirements with high reliability (M.T.B.F of 50K hours at 25 degrees C.) The unit also features short circuit and over current protection



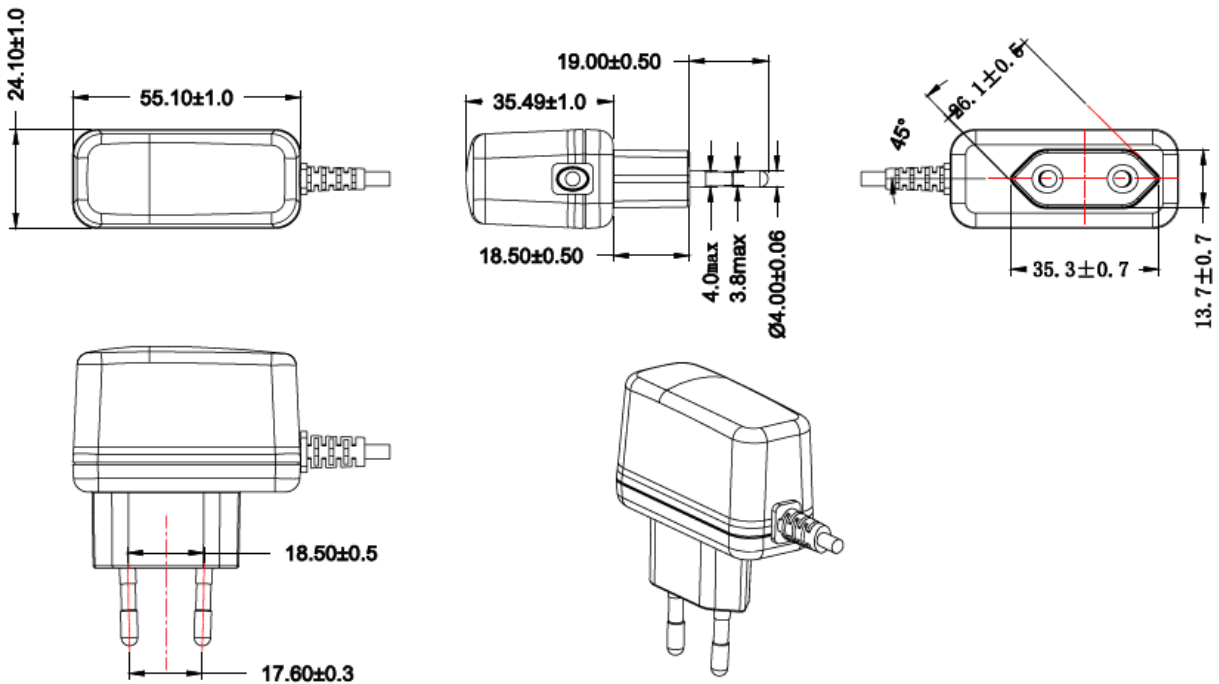
General Spec

Part Number	SW4474-C	Leakage Current	shall not exceed 0.25mA
Output	5vdc 1 amp	Input Current (RMS Max.)	0.18A max
Current Min.	0.01A	Hi-Pot Spec	3000Vac 10mA 1 min. (I.P. to O.P.)
Power (watts)	5W	No load power consumption	0.1W max
Line Reg	+7/-5% full load (+-10% input voltage)	Operating Temperature	0 to 40 degrees C
Total Output Regulation	+7/-5 % at 0—100% load	Storage Temperature	-20 to 80 degrees C
Ripple & Noise (mV p-p)	150mV P-P	Operating Humidity	10% to 90%
Protections	Over Current & Short Circuit	Safety Approvals	CE, TUV
Case Size	55.1 x 24.1 x 35.5mm (see p2)	EMC Standards	EN55022 class B
Weight (approx.)	70g	Please refer to D of C for full details of test standards	
DC Cord	1.8 Metre 22AWG 2464	Pb-free	Yes RoHS Compliant
DC Plug	Micro USB 5 pin	MTBF	50K Hours at 25 degrees C
Polarity	Pin 1+, Pin5-, Pin2/3 short		
Rated Input Voltage	100-240Vac		
Full Input Voltage Range	90-264Vac		
Rated Frequency	50-60Hz		
Full Frequency Range	47-63Hz		
Efficiency	Meets level VI		
	73.62% Minimum		

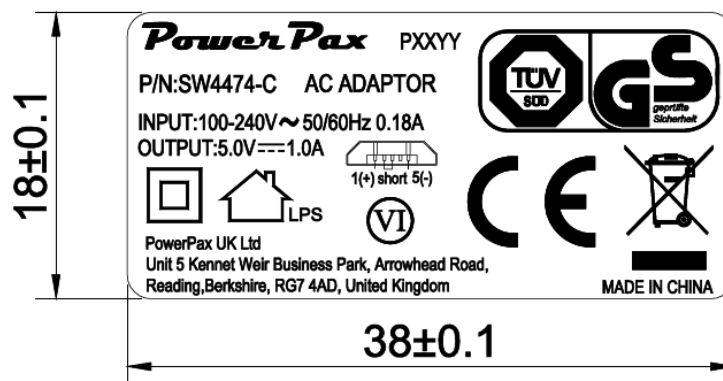
Full specification documents on each part included in this data sheet are available on request from PowerPax UK Ltd. PowerPax accepts no responsibility for typographical errors in the production of this leaflet. Product specifications are subject to change without notice

5vdc 1A USB European Power Supply

Dimensions



Example Nameplate



Full specification documents on each part included in this data sheet are available on request from PowerPax UK Ltd. PowerPax accepts no responsibility for typographical errors in the production of this leaflet. Product specifications are subject to change without notice