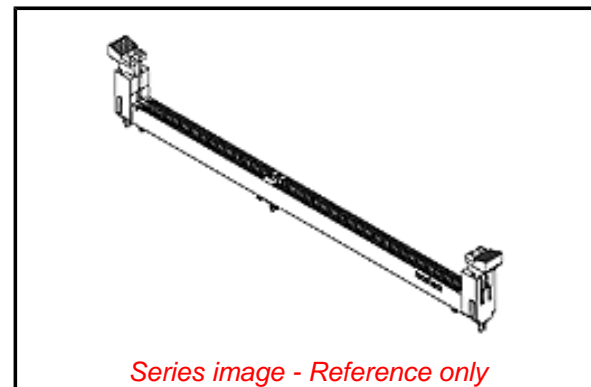


PLEASE CHECK WWW.MOLEX.COM FOR LATEST PART INFORMATION

Part Number: [0781560001](#)
Status: **Active**
Overview: DDR3 DIMM Sockets
Description: 1.00mm Pitch DDR3 DIMM Socket, Vertical, Surface Mount, with Beveled Metal Pins, Black Housing and Latches, 0.76µm Gold (Au) Plating, 3.94mm Beveled Metal Pin Length, 1.57mm PCB Thickness, 240 Circuits, Lead-Free

Documents:

3D Model	Application Specification AS-78156-001 (PDF)
Drawing (PDF)	Packaging Specification PK-78156-001 (PDF)
Product Specification PS-78156-001 (PDF)	RoHS Certificate of Compliance (PDF)



Agency Certification

CSA	LR19980
UL	E29179

General

Product Family	Memory Module Sockets
Series	78156
Component Type	Socket
Electrical Model	Yes
JEDEC Outline	MO-269
Overview	DDR3 DIMM Sockets
Product Name	DDR3 DIMM
UPC	800756674803

Physical

Circuits (Loaded)	240
Circuits (maximum)	240
Color - Resin	Black
Durability (mating cycles max)	25
Entry Angle	Vertical
Flammability	94V-0
Function Key	None
Keying to Mating Part	Yes
Material - Metal	Copper Alloy
Material - Plating Mating	Gold
Material - Plating Termination	Tin
Material - Resin	High Temperature Thermoplastic
Net Weight	8.847/g
PCB Locator	Yes
PCB Retention	Yes
PCB Thickness - Recommended	1.57mm
Packaging Type	Tray
Pitch - Mating Interface	1.00mm
Pitch - Termination Interface	1.00mm
Plating min - Mating	0.762µm
Plating min - Termination	2.540µm
Temperature Range - Operating	-55°C to +85°C
Termination Interface: Style	Surface Mount

Electrical

Current - Maximum per Contact	1.0A
Voltage - Maximum	30V AC (RMS)/DC
Voltage Key	Center

Solder Process Data

Duration at Max. Process Temperature (seconds)	040
--	-----

EU ELV

Not Relevant

EU RoHS

Compliant

REACH SVHC

Not Contained Per -
ED/21/2016 (20 June
2016)

Halogen-Free

Status

Not Low-Halogen

Need more information on product environmental compliance?

Email productcompliance@molex.com
Please visit the [Contact Us](#) section for any non-product compliance questions.

China ROHS

ELV

Green Image

Not Relevant

Search Parts in this Series

[78156 Series](#)

Mates With

JEDEC Standard 1.27mm Modules

Lead-free Process Capability
Max. Cycles at Max. Process Temperature
Process Temperature max. C

REFLOW
002
260

Material Info

Reference - Drawing Numbers

Application Specification	AS-78156-001
Electrical Model Document	EE-78156-004, EE-78156-005
Packaging Specification	PK-78156-001
Product Specification	PS-78156-001
S-Parameter Model	SP-78156-004, SP-78156-005
Sales Drawing	SD-78156-001

This document was generated on 09/30/2016

PLEASE CHECK WWW.MOLEX.COM FOR LATEST PART INFORMATION