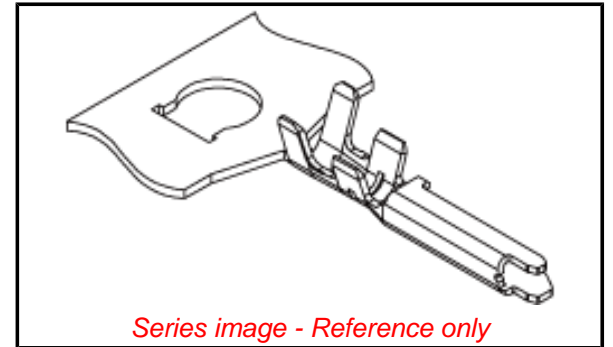


**PLEASE CHECK WWW.MOLEX.COM FOR LATEST PART INFORMATION**

**Part Number:** **5024380000**  
**Status:** **Active**  
**Overview:** CLIK-Mate™ Wire-to-Board Connectors  
**Description:** 2.00mm Pitch CLIK-Mate™ Wire-to-Board Crimp Terminal, Reel

**Documents:**

<a href="#">3D Model</a>	<a href="#">Application Specification AS-502439-001 (PDF)</a>
<a href="#">Drawing (PDF)</a>	<a href="#">Application Specification AS-502439-002 (PDF)</a>
<a href="#">Product Specification 5024430000 (PDF)</a>	<a href="#">Packaging Specification SPK-502438-001 (PDF)</a>
<a href="#">Product Specification 5024431570 (PDF)</a>	<a href="#">RoHS Certificate of Compliance (PDF)</a>



**General**

Product Family	Crimp Terminals
Series	<u>502438</u>
Application	Signal
Crimp Quality Equipment	Yes
Overview	<u>CLIK-Mate™ Wire-to-Board Connectors</u>
Packaging Alternative	<u>502438-0100 (Loose)</u>
Product Name	CLIK-Mate™
UPC	822350909778

**Physical**

Durability (mating cycles max)	30
Gender	Male
Material - Metal	Copper Alloy
Material - Plating Mating	Tin
Material - Plating Termination	Tin
Net Weight	41.500/mg
Packaging Type	Reel
Termination Interface: Style	Crimp or Compression
Wire Insulation Diameter	0.90-1.5mm
Wire Size AWG	22, 24, 26
Wire Size mm²	N/A

**Electrical**

Current - Maximum per Contact	3.0A
Voltage - Maximum	250V AC (RMS)/DC

**Material Info**

**Reference - Drawing Numbers**

Application Specification	AS-502439-001, AS-502439-002
Crimp Specification	CS-502438-001
Packaging Specification	SPK-502438-001
Product Specification	5024430000, 5024431570, RPS-502443-001, RPS-502443-002, RPS-502443-004, RPS-502443-005, RPS-502443-007, RPS-502443-008, RPS-502443-009, RPS-502443-010, RPS-502443-012, RPS-502494-001, RPS-502494-002, RPS-502494-003
Sales Drawing	SD-502438-001

**EU ELV**

**Not Relevant**

**EU RoHS**

**Compliant**

**China RoHS**

**REACH SVHC**

Not Contained Per - ED/21/2016 (20 June 2016)

**Halogen-Free**

**Status**

**Low-Halogen**

**Need more information on product environmental compliance?**

Email [productcompliance@molex.com](mailto:productcompliance@molex.com)  
Please visit the [Contact Us](#) section for any non-product compliance questions.

China ROHS  
ELV

Green Image  
Not Relevant

**Search Parts in this Series**

502438 Series

**Mates With**

502443 PCB Receptacle, 502494 PCB Receptacle

**Use With**

502439 Crimp Housing

**Application Tooling | FAQ**

*Tooling specifications and manuals are found by selecting the products below. Crimp Height Specifications are then contained in the Application Tooling Specification document.*

**Global**

Description	Product #
Extraction Tool	<u>0638132700</u>
Hand Crimp Tool for 2.00mm Pitch Wire-to-Board Crimp	<u>0638192800</u>

Terminals, 22-26 AWG Wire FineAdjust™ Applicator for 2.00mm Pitch Crimp Terminal, 22-26 AWG	<u>0639007700</u>
T2 Terminator Tooling Die for 2.00mm Crimp Terminal, 22-26 AWG	<u>0639107700</u>

This document was generated on 10/03/2016

**PLEASE CHECK [WWW.MOLEX.COM](http://WWW.MOLEX.COM) FOR LATEST PART INFORMATION**