


# CAMBLOCK PLUS

PCB  
TERMINAL  
BLOCKS

## 5mm Pitch Low Profile Screw Terminal Blocks

CTBP5000

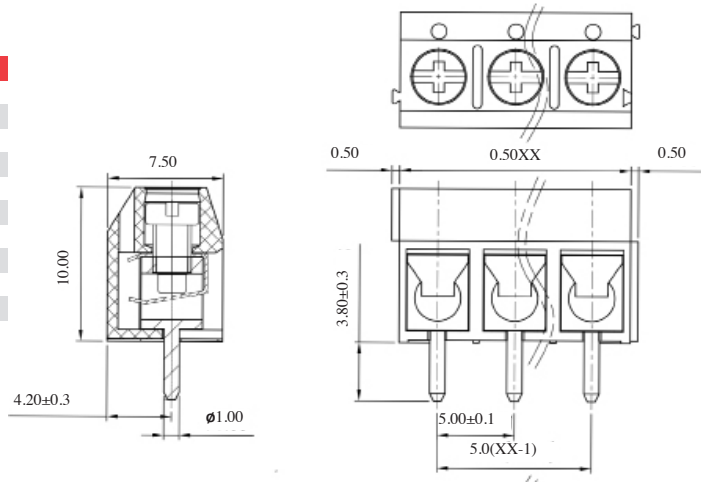
- 2 & 3 pole interlocking
- Test probe facility
- Moulded in grey UL94-V0 flame retardant PA66
- 1.5mm<sup>2</sup> (22-14AWG)
- Wire protector terminals
- Guided pin alignment
- Anti solder wicking terminal
-  approved



### SPECIFICATION


Rating	16A/250V
Insulation resistance	500MΩ/500V
Withstand Voltage	AC2000V/1min
Contact Resistance	20mΩ (max)
Working Temperature	-40°C to 105+°C
Mouldings	UL94-V0 Flame retardant PA66
Pin/Terminal	Tin plated brass
Wire Protector	Phosphor bronze, nickel plated
Screw/Torque	M2.5 Steel, zinc plated 0.4Nm
Recommended PCB hole size	ø1.2mm

TYPE NO.	POLES	LENGTH
CTBP5000/2	2	10mm
CTBP5000/3	3	15mm
CTBP5000/4	4	20mm
CTBP5000/5	5	25mm
CTBP5000/6	6	30mm
CTBP5000/7	7	35mm
CTBP5000/8	8	40mm
CTBP5000/9	9	45mm
CTBP5000/10	10	50mm
CTBP5000/11	11	55mm
CTBP5000/12	12	60mm



## 5mm Pitch Low Profile 90° Screw Terminal Blocks

CTBP5050

- 2 & 3 pole interlocking
- 1.5mm<sup>2</sup> (22-14AWG)
- Test probe facility
- 90° Mounting
- Moulded in UL94-V0 flame retardant PA66
- Wire protector terminals
- Anti solder wicking terminal
- Guided pin alignment
-  approved



### SPECIFICATION

Rating	16A/250V
Insulation resistance	500MΩ/500V
Withstand Voltage	AC2000V/1min
Contact Resistance	20mΩ (max)
Working Temperature	-40°C to 120+°C
Mouldings	UL94-V0 Flame retardant PA66
Pin/Terminal	Tin plated brass
Wire Protector	Phosphor bronze, nickel plated
Screw/Torque	M2.5 Steel, zinc plated 0.4Nm
Recommended PCB hole size	ø1.2mm

TYPE NO.	POLES	LENGTH
CTBP5050/2	2	10mm
CTBP5050/3	3	15mm
CTBP5050/4	4	20mm
CTBP5050/5	5	25mm
CTBP5050/6	6	30mm
CTBP5050/7	7	35mm
CTBP5050/8	8	40mm
CTBP5050/9	9	45mm
CTBP5050/10	10	50mm
CTBP5050/11	11	55mm
CTBP5050/12	12	60mm

