
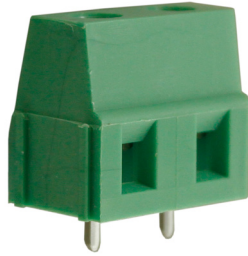


CAMBLOCK PLUS

7.5mm Pitch Standard Profile Rising Clamp Terminal Blocks

- 2 & 3 pole double interlocking mechanism for increased strength
- Moulded in green UL94-V0 flame retardant PA66
- Professional rising clamp terminals
- 2.5mm² (22-12AWG)
- Guided pin alignment
-  approved

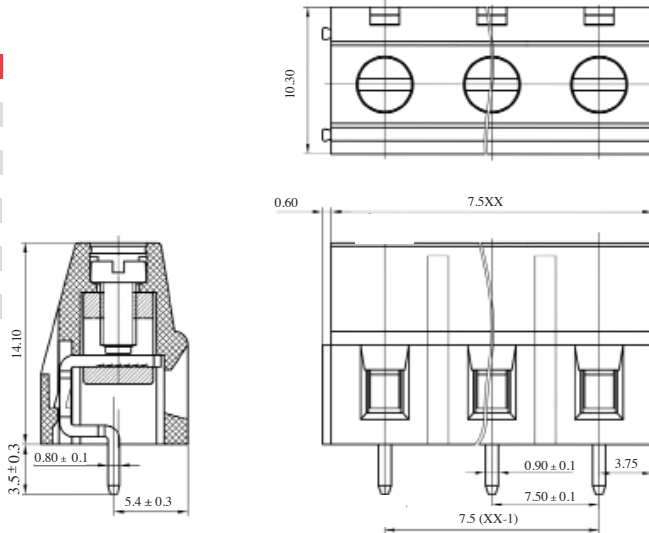
CTBP0110




TYPE NO.	POLES	LENGTH
CTBP0110/2	2	15mm
CTBP0110/3	3	22.5mm
CTBP0110/4	4	30mm
CTBP0110/5	5	37.5mm
CTBP0110/6	6	45mm
CTBP0110/7	7	52.5mm
CTBP0110/8	8	60mm
CTBP0110/9	9	67.5mm
CTBP0110/10	10	75mm
CTBP0110/11	11	82.5mm
CTBP0110/12	12	90mm

SPECIFICATION

Rating	10A/300V
Insulation resistance	500M Ω /500V
Withstand Voltage	AC2000V/1min
Contact Resistance	20m Ω (max)
Working Temperature	-40°C to 105+°C
Mouldings	UL94-V0 Flame retardant PA66
Pin/Terminal	Tin plated brass
Rising Clamp	Brass, nickel plated
Screw/Torque	M2.5 Steel, zinc plated 0.4Nm
Recommended PCB hole size	ϕ 1.5mm



7.5mm Pitch Standard Profile 90° Rising Clamp Terminal Blocks

- 2 & 3 pole double interlocking mechanism for increased strength
- Moulded in green UL94-V0 flame retardant PA66
- Professional rising clamp terminals
- 2.5mm² (22-12AWG)
- Guided pin alignment
-  approved

CTBP0115



TYPE NO.	POLES	LENGTH
CTBP0115/2	2	15mm
CTBP0115/3	3	22.5mm
CTBP0115/4	4	30mm
CTBP0115/5	5	37.5mm
CTBP0115/6	6	45mm
CTBP0115/7	7	52.5mm
CTBP0115/8	8	60mm
CTBP0115/9	9	67.5mm
CTBP0115/10	10	75mm
CTBP0115/11	11	82.5mm
CTBP0115/12	12	90mm

SPECIFICATION

Rating	10A/300V
Insulation resistance	500M Ω /500V
Withstand Voltage	AC2000V/1min
Contact Resistance	20m Ω (max)
Working Temperature	-40°C to 105+°C
Mouldings	UL94-V0 Flame retardant PA66
Pin/Terminal	Tin plated brass
Rising Clamp	Brass, nickel plated
Screw/Torque	M2.5 Steel, zinc plated 0.4Nm
Recommended PCB hole size	ϕ 1.5mm

