



### Features:

- Universal / Full range AC input
- Protections: Short Circuit, Over Current, Over Voltage, Turn On Delay
- Level VI ErP/EuP efficiency compliant
- MTBF >100,000 hours
- Fitted with 2.1 C+VE DC Jack Plug
- Small & Compact UK Plug design
- 1 Year Warranty



### Output Characteristics

Part Number	T6159ST
Voltage	12V
Current Max.	2A
Current Min.	0A
Power (watts)	24W
Line Regulation	+/- 2%
Ripple Voltage	300mV p-p MAX
Protections	Over Current Protection, Short Circuit Protection, Over Voltage Protection,
Case Size (See below) mm	73.5(L)mm x 49.9(W)mm x 87.7(H)mm
Weight (approx.)	156g
DC Cord	1.5m

### Input Characteristics

Rated Input Voltage	100-240Vac
Full Input Voltage Range	90-264Vac
Rated Frequency	50-60Hz
Full Frequency Range	47-63Hz
Efficiency (min.)	86.8%
Input Current (RMS Max.)	0.8A Max
Inrush Current at full load (25 ° C)	115 VAC, 60Hz INPUT , 230 VAC, 50Hz INPUT , No damage shall occur
Leakage Current	0.25mA maximum, at nominal AC input voltage and frequency
AC Plug's	UK

### Safety, Mechanical and Other Characteristics

Hi-Pot Specification	Primary To Secondary: 3000VAC 10mA 1minute or 4242VDC 10mA 1minute
Operating Temperature	0 To 40 ° C
Storage Temperature	-25 To 55 ° C
Operating Humidity	10 ~ 90%
Storage Humidity	5 ~ 95%
MTBF	100000 operating hours minimum

## Stontronics Ltd

Chancerygate Business Centre, Cradock Road, Reading, Berkshire, RG2 0AH.

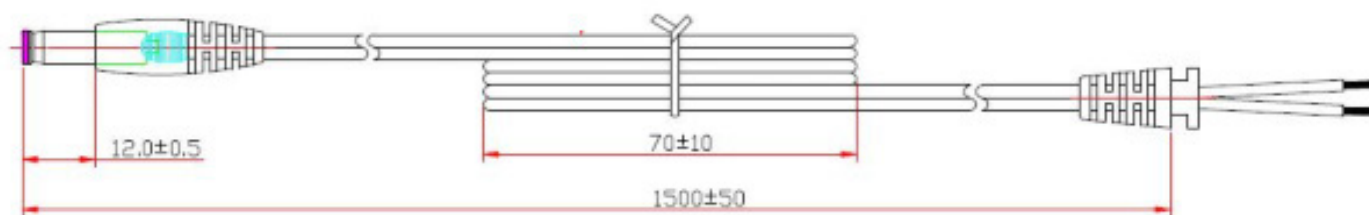
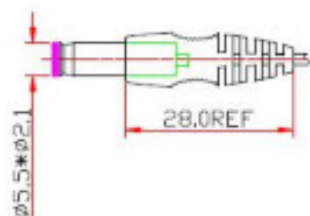
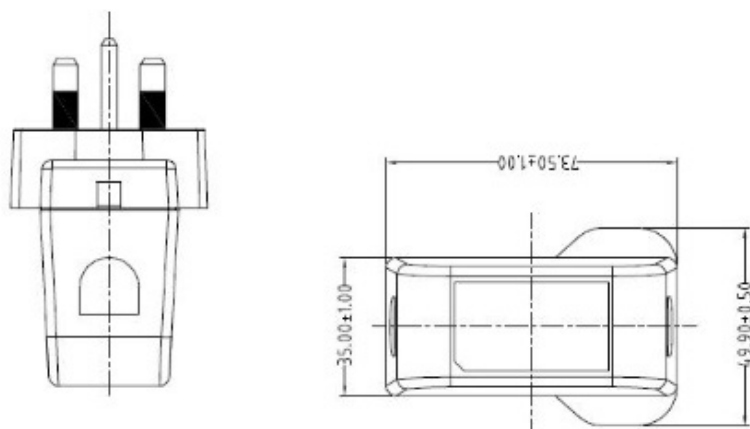
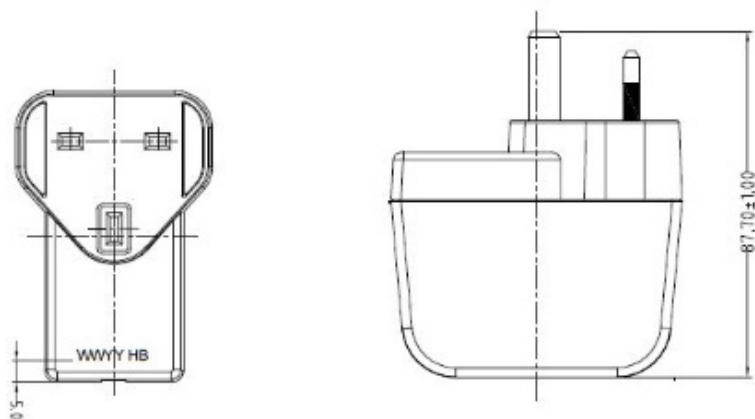
Tel: +44 (0) 118 931 1199 • Fax: +44 (0) 118 931 1145 • Email: [info@stontronics.co.uk](mailto:info@stontronics.co.uk) • Web: [www.stontronics.com](http://www.stontronics.com)

Please Note: Image shown is representative of entire range. Individual PSU image &/or drawings or data sheets available on request.

Stontronics Ltd accepts no responsibility for typographical errors in the production of this leaflet. Product specifications are subject to change without notice.



## Drawings:



## Stontronics Ltd

Chancerygate Business Centre, Cradock Road, Reading, Berkshire, RG2 0AH.

Tel: +44 (0) 118 931 1199 • Fax: +44 (0) 118 931 1145 • Email: [info@stontronics.co.uk](mailto:info@stontronics.co.uk) • Web: [www.stontronics.com](http://www.stontronics.com)

Please Note: Image shown is representative of entire range. Individual PSU image &/or drawings or data sheets available on request.

Stontronics Ltd accepts no responsibility for typographical errors in the production of this leaflet. Product specifications are subject to change without notice.

