

This luminaire contains built-in LED lamps.



LED

The lamps cannot be changed in the luminaire.

874/2012



10W



50W

50W

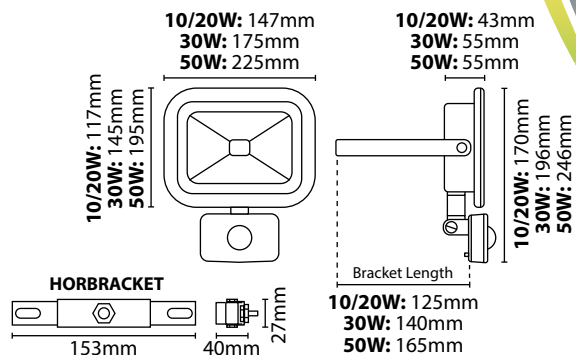


30W

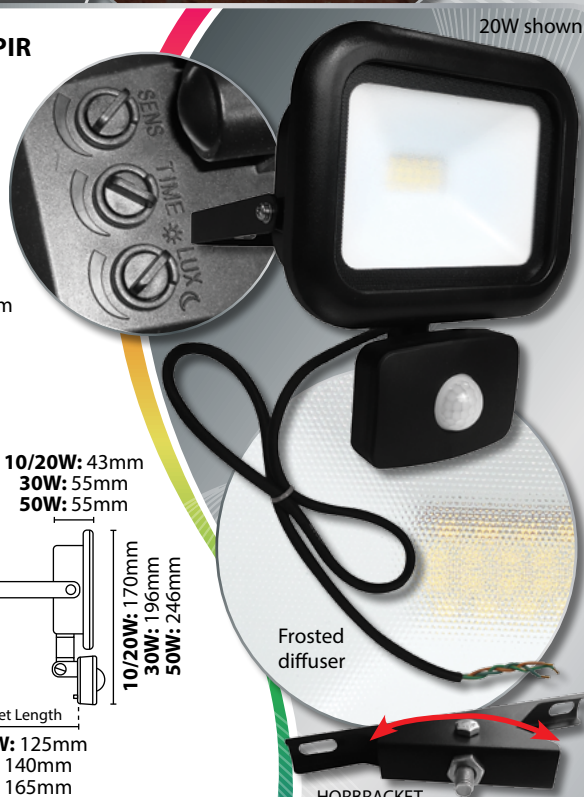
LED FLOODLIGHTS WITH 120° PIR

- Tempered glass diffuser
- 10W: Polycarbonate construction
- 20/30/50W: Aluminium construction
- Pre-wired with 80cm cable
- Vertically and horizontally adjustable PIR
- Time on adjustment: 10 sec ± 3 sec - 10 min ± 3 min
- 120° detection angle
- Adjustable detection range between 5-9m
- Lux level adjustments: 5 Lux ~ 2000 Lux

- **FLOODLIGHTS:** M.O.M: 1 / O.P.Q: 12
- **HORBRACKET:** M.O.M: 1 / O.P.Q: 250



20W shown



Frosted diffuser

HORBRACKET

Code	Colour	Wattage	Colour Temp.	Luminaire Lumens	Avg. Rated Life (Hrs)	IP Rating	Energy Rating
ELEDF10PIR	Black	10W	4000K	850 lm	25,000 hrs	IP54	A+
ELEDF20PIR	Black	20W	4000K	1700 lm	25,000 hrs	IP54	A+
ELEDF30PIR	Black	30W	4000K	2550 lm	25,000 hrs	IP54	A+
ELEDF50PIR	Black	50W	4000K	4250 lm	25,000 hrs	IP54	A+
HORBRACKET	Horizontal Bracket For LED PIR Floodlight Range						

LED LAMP SPECIFICATIONS:	10W	20W	30W	50W
Luminaire lumens (with diffuser)	850 lm	1700 lm	2550 lm	4250 lm
Lumens from chip (no diffuser)	1000 lm	2000 lm	3000 lm	5000 lm
Useful lumens	800 lm	1600 lm	2400 lm	4000 lm
Rated Wattage	10W	20W	30W	50W
Rated luminous flux	800 lm	1600 lm	2400 lm	4000 lm
Nominal life time of the lamp	25,000 hrs	25,000 hrs	25,000 hrs	25,000 hrs
Colour temperature	4000K	4000K	4000K	4000K
Number of switching cycles before premature lamp failure	15,000	15,000	15,000	15,000
Warm-up time up to 60% of the full light output	Instant full light	Instant full light	Instant full light	Instant full light
Dimmable	No	No	No	No
LED array dimensions (L/H)	25x17mm	30x17mm	37x27mm	50x50mm
Nominal beam angle	120°	120°	120°	120°
Rated power	10W	20W	30W	50W
Rated lamp lifetime	25,000 hrs	25,000 hrs	25,000 hrs	25,000 hrs
Lamp power factor	0.5	0.5	0.9	0.9
Lumen maintenance factor at end of nominal life	70%	70%	70%	70%
Starting time	0.5s	0.5s	0.5s	0.5s
Colour rendering	80 Ra	80 Ra	80 Ra	80 Ra
Colour consistency	Within a six step Macadam ellipse	Within a six step Macadam ellipse	Within a six step Macadam ellipse	Within a six step Macadam ellipse
Rated peak intensity	450cd	1000cd	1400cd	2100cd
Rated beam angle	120°	120°	120°	120°
Voltage / Frequency	240V~50Hz	240V~50Hz	240V~50Hz	240V~50Hz

Not suitable for accent lighting