

Flush-type socket - SACC-DSI-FSX-8CON-M16-L180 SCO - 1424177

Please be informed that the data shown in this PDF Document is generated from our Online Catalog. Please find the complete data in the user's documentation. Our General Terms of Use for Downloads are valid (<http://phoenixcontact.com/download>)



CAT6_A flush-type socket, Ethernet, one-piece, 8-pos., M12 SPEEDCON, rear/screw mounting with M16 fastening thread, with straight solder connection

M12 panel feed-through, rear mounting

Why buy this product

- Easy PCB assembly: one-piece connectors for wave soldering
- All standard pin assignments and codings for signal, data, and power transmission with a uniform design-in design
- For high transmission reliability: optional shield connection to the housing by means of shield contact



Key Commercial Data

Packing unit	20 STK
Minimum order quantity	20 STK
GTIN	
Weight per Piece (excluding packing)	16.62 g
Custom tariff number	85366990
Country of origin	Germany

Technical data

Ambient conditions

Degree of protection	IP67 (When plugged in)
----------------------	------------------------

General data

Note	The electrical and mechanical data specified assume that the connector pair is correctly locked and mounted. If the connector is unlocked and if there is a danger of contamination, the connector must be sealed using a protective cap > IP54. Influences arising from litz wires, cables or PCB assembly must also be taken into consideration.
Rated current at 40°C	0.5 A (Data)
Rated voltage	50 V AC

Flush-type socket - SACC-DSI-FSX-8CON-M16-L180 SCO - 1424177

Technical data

General data

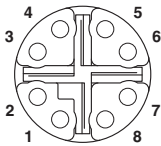
	60 V DC
Number of positions	8
Signal type/category	Ethernet CAT6 _A
Overvoltage category	III
Degree of pollution	3

Standards and Regulations

Flammability rating according to UL 94	V0
--	----

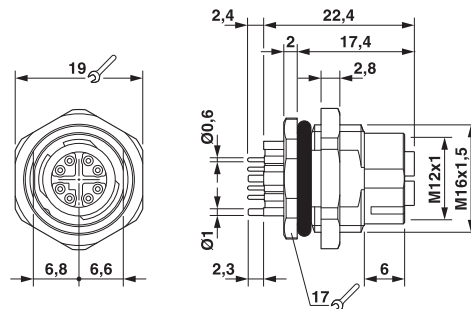
Drawings

Schematic diagram



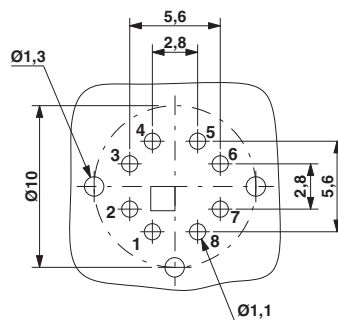
M12 socket pin assignment, 8-pos, view of socket side

Dimensional drawing



M12 flush-type connector

Drilling diagram



Soldering pad geometry

Classifications

eCl@ss

eCl@ss 4.0	272607xx
eCl@ss 4.1	27260701
eCl@ss 5.0	27260701

Flush-type socket - SACC-DSI-FSX-8CON-M16-L180 SCO - 1424177

Classifications

eCl@ss

eCl@ss 5.1	27260701
eCl@ss 6.0	27180802
eCl@ss 7.0	27182702
eCl@ss 8.0	27440103
eCl@ss 9.0	27440102

ETIM

ETIM 3.0	EC001031
ETIM 4.0	EC002062
ETIM 5.0	EC002061

UNSPSC

UNSPSC 6.01	31261501
UNSPSC 7.0901	31261501
UNSPSC 11	31261501
UNSPSC 12.01	31261501
UNSPSC 13.2	31261501

Approvals

Approvals

Approvals


EAC / UL Recognized / cUL Recognized / EAC / cULus Recognized

Ex Approvals

Approvals submitted


Approval details

EAC

UL Recognized 	
Nominal current I _N	0.5 A
Nominal voltage U _N	60 V

Flush-type socket - SACC-DSI-FSX-8CON-M16-L180 SCO - 1424177

Approvals

cUL Recognized 	
Nominal current I _N	0.5 A
Nominal voltage U _N	60 V

EAC

cULus Recognized 