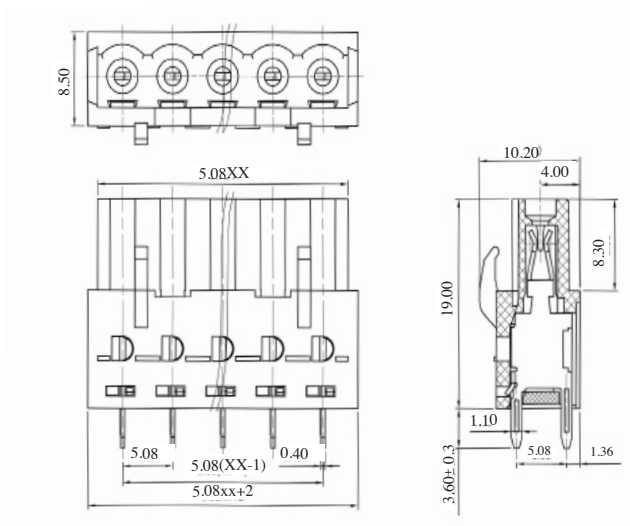


CAMBLOCK PLUS

PCB
TERMINAL
BLOCKS

PCB Mounting Female Vertical Connector

TYPE NO.	POLES	LENGTH	CTBP97VJ
CTBP97VJ/2	2	12.2mm	
CTBP97VJ/3	3	17.2mm	
CTBP97VJ/4	4	22.3mm	
CTBP97VJ/5	5	27.4mm	
CTBP97VJ/6	6	32.5mm	
CTBP97VJ/7	7	37.6mm	
CTBP97VJ/8	8	42.6mm	
CTBP97VJ/9	9	47.7mm	
CTBP97VJ/10	10	52.8mm	
CTBP97VJ/11	11	57.9mm	
CTBP97VJ/12	12	63.0mm	



PCB Mounting Female Vertical Connector, Flanged

TYPE NO.	POLES	LENGTH A	LENGTH B	CTBP97VJ/FL
CTBP97VJ/2FL	2	10.2mm	20.32mm	
CTBP97VJ/3FL	3	15.2mm	25.4mm	
CTBP97VJ/4FL	4	20.3mm	30.48mm	
CTBP97VJ/5FL	5	25.4mm	35.56mm	
CTBP97VJ/6FL	6	30.5mm	40.64mm	
CTBP97VJ/7FL	7	35.6mm	45.72mm	
CTBP97VJ/8FL	8	40.6mm	50.8mm	
CTBP97VJ/9FL	9	45.7mm	55.88mm	
CTBP97VJ/10FL	10	50.8mm	60.96mm	
CTBP97VJ/11FL	11	55.9mm	66.04mm	
CTBP97VJ/12FL	12	61.0mm	71.12mm	

