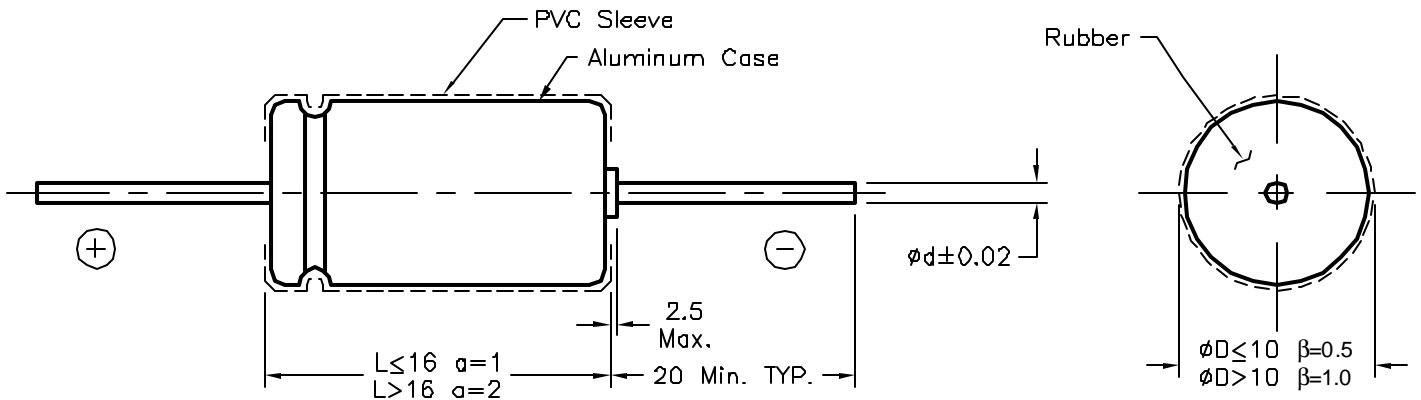
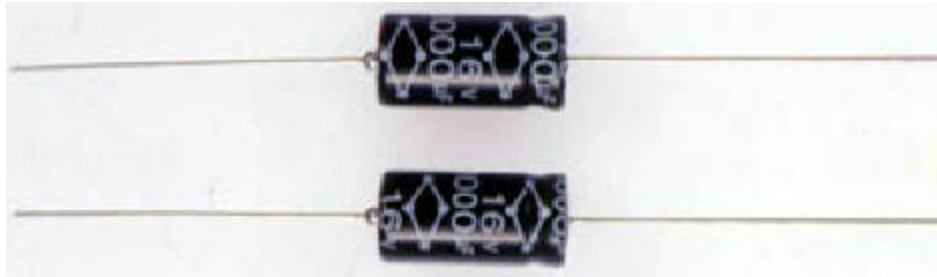


DCP #	REV	DESCRIPTION	DRAWN	DATE	CHECKD	DATE	APPRVD	DATE
1890	A	RELEASED	JN	08/26/08	JWM	08/26/08	JWM	08/26/08


Features:

- For General Purpose
- Wide CV Valve Range
- Safely vent construction product, AX series are guaranteed 2,000 hours at 105°C

ϕD (+0.5 max.)	6.3	8	10	13	16	18
ϕd (± 0.02)	0.6	0.6	0.6	0.6	0.8	0.8

SPC-F004.DWG

TOLERANCES: UNLESS OTHERWISE SPECIFIED, DIMENSIONS ARE FOR REFERENCE PURPOSES ONLY.	DRAWN BY:	DATE:	DRAWING TITLE:			
	Jason Nash	09/26/08	Aluminum Electrolytic Capacitor; Capacitor, General Purpose			
	CHECKED BY:	DATE:	SIZE	DWG. NO.	ELECTRONIC FILE	REV
	JWM	09/26/08	A	TA-945	TA-945.DWG	A
APPROVED BY:	DATE:	SCALE: NTS		U.O.M.: Millimeters		
JWM	09/26/08			SHEET: 1 OF 5		

ALL RIGHTS RESERVED. NO PORTION OF THIS PUBLICATION, WHETHER IN WHOLE OR IN PART CAN BE REPRODUCED WITHOUT THE EXPRESS WRITTEN CONSENT OF SPC TECHNOLOGY. DISCLAIMER: ALL STATEMENTS AND TECHNICAL INFORMATION CONTAINED HEREIN ARE BASED UPON INFORMATION AND/OR TESTS WE BELIEVE TO BE ACCURATE AND RELIABLE. SINCE CONDITIONS OF USE ARE BEYOND OUR CONTROL, THE USER SHALL DETERMINE THE SUITABILITY OF THE PRODUCT FOR THE INTENDED USE AND ASSUME ALL RISK AND LIABILITY WHATSOEVER IN CONNECTION THEREWITH.

CHARACTERISTICS

ITEM	PERFORMANCE																																																																					
Operating Temperature Range	-40°C to 105°C	-25°C to 105°C																																																																				
Rated Working Voltage Range	6.3 - 100 VDC	160 - 450 VDC																																																																				
Nominal Capacitance Range	0.1 - 15000 μ F	0.47 - 330 μ F																																																																				
Capacitance Tolerance	$\pm 20\%$ (at +20°C, 120 Hz)																																																																					
Leakage Current	$I \leq 0.01CV$ or 3 μ A max	$I \leq 0.03CV + 20 \mu$ A Max.																																																																				
	whichever is greater after 3 minutes. where: I = Leakage Current in μ A C = Rated capacitance in μ F V = Working voltage in V																																																																					
Dissipation Factor (Tan δ) (120 Hz \ +20°C)	<table border="1"> <thead> <tr> <th>Working Voltage</th> <th>6.3</th> <th>10</th> <th>16</th> <th>25</th> <th>35</th> <th>50</th> <th>63</th> <th>100</th> <th>160</th> <th>200</th> <th>250</th> <th>350</th> <th>400</th> <th>450</th> </tr> </thead> <tbody> <tr> <td>Tan δ Max.</td> <td>0.22</td> <td>0.19</td> <td>0.16</td> <td>0.14</td> <td>0.12</td> <td>0.10</td> <td>0.10</td> <td>0.07</td> <td>0.15</td> <td>0.15</td> <td>0.15</td> <td>0.20</td> <td>0.24</td> <td>0.24</td> </tr> </tbody> </table>														Working Voltage	6.3	10	16	25	35	50	63	100	160	200	250	350	400	450	Tan δ Max.	0.22	0.19	0.16	0.14	0.12	0.10	0.10	0.07	0.15	0.15	0.15	0.20	0.24	0.24																										
	Working Voltage	6.3	10	16	25	35	50	63	100	160	200	250	350	400	450																																																							
Tan δ Max.	0.22	0.19	0.16	0.14	0.12	0.10	0.10	0.07	0.15	0.15	0.15	0.20	0.24	0.24																																																								
For capacitors whose capacitance exceeds 1,000 μ F, the specification of Tan δ is increased by 0.02 for every addition of 1,000 μ F.																																																																						
Maximum Permissible Ripple Current	Refer to standard products table (120 Hz, +105°). Correction factor for frequency.																																																																					
	<table border="1"> <thead> <tr> <th colspan="2" rowspan="2">W.V. (VDC) \ Freq. (Hz)</th> <th colspan="5">Freq. (Hz)</th> </tr> <tr> <th>60</th> <th>120</th> <th>1K</th> <th>10K</th> <th>100K</th> </tr> </thead> <tbody> <tr> <td rowspan="3">6.3-50</td> <td>0.1 - 330</td> <td>0.85</td> <td>1</td> <td>1.30</td> <td>1.40</td> <td>1.55</td> </tr> <tr> <td>470 - 3300</td> <td>0.95</td> <td>1</td> <td>1.15</td> <td>1.20</td> <td>1.25</td> </tr> <tr> <td>≥ 4700</td> <td>0.95</td> <td>1</td> <td>1.10</td> <td>1.20</td> <td>1.20</td> </tr> <tr> <td rowspan="3">63-100</td> <td>0.47 - 33</td> <td>0.75</td> <td>1</td> <td>1.55</td> <td>1.65</td> <td>1.80</td> </tr> <tr> <td>47 - 220</td> <td>0.75</td> <td>1</td> <td>1.40</td> <td>1.60</td> <td>1.65</td> </tr> <tr> <td>≥ 330</td> <td>0.80</td> <td>1</td> <td>1.30</td> <td>1.35</td> <td>1.40</td> </tr> <tr> <td>≥ 160</td> <td>1 - 220</td> <td>0.70</td> <td>1</td> <td>1.30</td> <td>1.70</td> <td>1.70</td> </tr> </tbody> </table>														W.V. (VDC) \ Freq. (Hz)		Freq. (Hz)					60	120	1K	10K	100K	6.3-50	0.1 - 330	0.85	1	1.30	1.40	1.55	470 - 3300	0.95	1	1.15	1.20	1.25	≥ 4700	0.95	1	1.10	1.20	1.20	63-100	0.47 - 33	0.75	1	1.55	1.65	1.80	47 - 220	0.75	1	1.40	1.60	1.65	≥ 330	0.80	1	1.30	1.35	1.40	≥ 160	1 - 220	0.70	1	1.30	1.70
W.V. (VDC) \ Freq. (Hz)		Freq. (Hz)																																																																				
		60	120	1K	10K	100K																																																																
6.3-50	0.1 - 330	0.85	1	1.30	1.40	1.55																																																																
	470 - 3300	0.95	1	1.15	1.20	1.25																																																																
	≥ 4700	0.95	1	1.10	1.20	1.20																																																																
63-100	0.47 - 33	0.75	1	1.55	1.65	1.80																																																																
	47 - 220	0.75	1	1.40	1.60	1.65																																																																
	≥ 330	0.80	1	1.30	1.35	1.40																																																																
≥ 160	1 - 220	0.70	1	1.30	1.70	1.70																																																																
Low Temperature Characteristics (stability at 120 Hz)	For capacitance value > 1000 μ F: Add 0.5 per 1000 μ F for -25°C/+25°C. Add 1.0 per 1000 μ F for -40°C/+20°C.																																																																					
	<table border="1"> <thead> <tr> <th>Working Voltage</th> <th>6.3</th> <th>10</th> <th>16</th> <th>25</th> <th>35</th> <th>50</th> <th>63</th> <th>100</th> <th>160</th> <th>200</th> <th>250</th> <th>350</th> <th>400</th> <th>450</th> </tr> </thead> <tbody> <tr> <td>-25°C/+20°C</td> <td>4</td> <td>3</td> <td>2</td> <td>2</td> <td>2</td> <td>2</td> <td>2</td> <td>2</td> <td>3</td> <td>3</td> <td>3</td> <td>6</td> <td>6</td> <td>15</td> </tr> <tr> <td>-40°C/+20°C</td> <td>8</td> <td>6</td> <td>4</td> <td>3</td> <td>3</td> <td>3</td> <td>3</td> <td>3</td> <td></td> <td></td> <td></td> <td></td> <td></td> <td></td> </tr> </tbody> </table>														Working Voltage	6.3	10	16	25	35	50	63	100	160	200	250	350	400	450	-25°C/+20°C	4	3	2	2	2	2	2	2	3	3	3	6	6	15	-40°C/+20°C	8	6	4	3	3	3	3	3																	
Working Voltage	6.3	10	16	25	35	50	63	100	160	200	250	350	400	450																																																								
-25°C/+20°C	4	3	2	2	2	2	2	2	3	3	3	6	6	15																																																								
-40°C/+20°C	8	6	4	3	3	3	3	3																																																														
High Temperature Loading	After 2000 hrs application of DC rated working voltage at +105°C, the capacitor shall meet the following limits: Post test requirements at +20°C.																																																																					
	<table border="1"> <tbody> <tr> <td>Leakage Current</td> <td colspan="13">\leq the initial specified value</td> </tr> <tr> <td>Capacitance change</td> <td colspan="13">$\leq \pm 20\%$ of initial specified value</td> </tr> <tr> <td>Dissipation Factor (Tan δ)</td> <td colspan="13">$\leq 200\%$ of initial specified value</td> </tr> </tbody> </table>														Leakage Current	\leq the initial specified value													Capacitance change	$\leq \pm 20\%$ of initial specified value													Dissipation Factor (Tan δ)	$\leq 200\%$ of initial specified value																										
Leakage Current	\leq the initial specified value																																																																					
Capacitance change	$\leq \pm 20\%$ of initial specified value																																																																					
Dissipation Factor (Tan δ)	$\leq 200\%$ of initial specified value																																																																					
Shelf Life	After storage for 500 hours at 105°C with no voltage applied. Post test requirements at +20°C same limits for high temperature loading.																																																																					



RoHS
Compliant

Mfg. P/N	Working Voltage (WVDC)	Capacitance (pF)	Case Size	
			Body diameter	Body Length
MCAX150V106K10X21	150	10	10	21
MCAX150V506M13X27		50	13	27
MCAX16V106K6X13	16	10	6	13
MCAX25V106K6X13	25	10	6	13
MCAX25V106M6X13		10	6	13
MCAX25V107K8X13		100	8	13
MCAX25V107M8X13		100	8	13
MCAX25V107M8X16		100	8	16
MCAX25V108M13X22		1,000	13	22
MCAX25V207K8X16		200	8	16
MCAX25V226M6X13		22	6	13
MCAX25V227M8X16		220	8	16
MCAX25V256K6X13		25	6	13
MCAX25V256M6X13		25	6	13
MCAX25V257M8X16		250	8	16
MCAX25V476M6X13		47	6	13
MCAX25V477M10X21		470	10	21
MCAX25V506M6X13		50	6	13
MCAX25V507M10X21		500	10	21

ALL RIGHTS RESERVED. NO PORTION OF THIS PUBLICATION, WHETHER IN WHOLE OR IN PART CAN BE REPRODUCED WITHOUT THE EXPRESS WRITTEN CONSENT OF SPC TECHNOLOGY.
SPC-F004.DWG

SIZE DWG. NO.

A

TA-945

ELECTRONIC FILE

TA-945.DWG

REV

A

DOC. NO. SPC-F004 * Effective: 7/8/02 * DCP No: 1398

SCALE: NTS

U.O.M.: Millimeters

SHEET: 3 OF 5

MCAX350V106M10X21	350	10	10	21
MCAX350V107M18X36		100	18	36
MCAX35V106M6X13	35	10	6	13
MCAX35V107M8X16		100	8	16
MCAX35V226M6X13		22	6	13
MCAX35V476K6X13		47	6	13
MCAX40V108M16X32	40	1,000	16	32
MCAX40V227M10X21		220	10	21
MCAX40V228M18X36		2,200	18	36
MCAX40V476M8X16		47	8	16
MCAX40V478M20X36		4,700	20	36
MCAX40V687M16X28		680	16	28
MCAX450V106M13X25	450	10	13	25
MCAX450V205M10X21		2	10	21
MCAX450V206M13X32		20	13	32
MCAX450V226M16X32		22	16	32
MCAX450V406M18X36		40	18	36
MCAX450V805M13X25		8	13	25
MCAX50V105K6X13	50	1	6	13
MCAX50V106M6X13		10	6	13
MCAX50V107K8X16		100	8	16

ALL RIGHTS RESERVED. NO PORTION OF THIS PUBLICATION, WHETHER IN WHOLE OR IN PART CAN BE REPRODUCED WITHOUT THE EXPRESS WRITTEN CONSENT OF SPC TECHNOLOGY.
SPC-F004.DWG

SIZE

A

DWG. NO.

TA-945

ELECTRONIC FILE

TA-945.DWG

REV

A

MCAX50V108M16X32	50	1,000	16	32
MCAX50V108M16X38		1,000	16	38
MCAX50V156K6X13		15	6	13
MCAX50V157M10X21		150	10	21
MCAX50V205K6X13		2	6	13
MCAX50V206K6X13		20	6	13
MCAX50V226M6X13		22	6	13
MCAX50V256M6X13		25	6	13
MCAX50V476M8X16		47	8	16
MCAX50V508K22X42		5,000	22	42
MCAX63V105M6X13		63	1	6
MCAX63V106M6X13	10		6	13
MCAX63V107M10X21	100		10	21
MCAX63V108M16X36	1,000		16	36
MCAX63V225M6X13	2.2		6	13
MCAX63V226M6X13	22		6	13
MCAX63V227M13X22	220		13	22
MCAX63V228M20X36	2,200		20	36
MCAX63V337M13X27	330		13	27
MCAX63V476M8X16	47		8	16

ALL RIGHTS RESERVED. NO PORTION OF THIS PUBLICATION, WHETHER IN WHOLE OR IN PART CAN BE REPRODUCED WITHOUT THE EXPRESS WRITTEN CONSENT OF SPC TECHNOLOGY.
SPC-F004.DWG

SIZE DWG. NO.

A

TA-945

ELECTRONIC FILE

TA-945.DWG

REV

A

DOC. NO. SPC-F004 * Effective: 7/8/02 * DCP No: 1398

SCALE: NTS

U.O.M.: Millimeters

SHEET: 5 OF 5