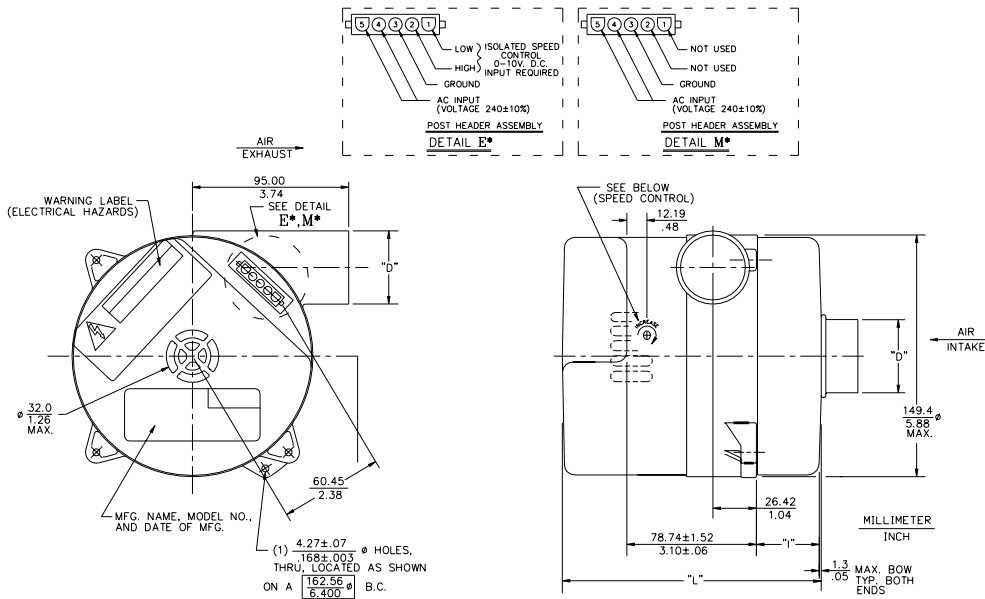


WE'RE BIG ON BRUSHLESS WE'RE BIG ON BRUSHLESS WE'RE BIG ON BRUSHLESS WE'RE BIG ON BRUSHLESS

Tech Bulletin

5.7" (145mm) BLDC Bypass Blower

400 WATT, 240 VOLT



Blower Data	Unit of Measure	Part Number					
		Standard Flow			High Flow		
		117634 M*	117633 M	117632 M*	117637 M*	117636 M*	117635 M*
		117640 E*	117639 E	117638 E*	117643 E*	117642 E*	117641 E*
Stages		1	2	3	1	2	3
Vacuum, Max. (Sealed Vacuum)	in. H ₂ O	28	45	60	23	39	53
	mBar	69	112	149	57	97	131
Pressure, Max. (Sealed Pressure)	n. H ₂ O	30	51	70	25	45	61
	mBar	74	126	174	62	112	151
Flow Rate, Max. (Open Flow)	CFM	69	62	58	114	97	86
	L/sec	33	29	27	54	46	41
Inlet/Outlet Diameter	inches	1.25	1.25	1.25	1.75	1.75	1.75
(Dimension "D" above)	mm	31.75	31.75	31.75	44.45	44.45	44.45
Length (Dimension "I" above)	inches	2.53	1.25	2.14	.47	1.53	2.53
	mm	64.26	31.75	54.36	11.94	38.86	64.26
Length (Dimension "L" above)	inches	5.08	5.99	6.89	5.22	6.27	7.28
	mm	129.03	152.15	175.01	132.59	159.26	184.91

Typical Performance Points

Air Flow	Pressure	117634 M*	117633 M	117632 M*	117637 M*	117636 M*	117635 M*
0 CFM	in. H ₂ O	30.3	51.0	69.9	24.8	44.6	61.5
10 CFM	in. H ₂ O	27.9	44.2	59.9	23.6	41.0	55.8
20 CFM	in. H ₂ O	26.2	41.8	52.8	22.6	39.8	51.5
30 CFM	in. H ₂ O	23.6	35.9	44.1	21.5	35.8	46.0
40 CFM	in. H ₂ O	19.0	27.8	32.1	19.5	32.0	40.1
50 CFM	in. H ₂ O	13.3	16.6	18.1	17.9	28.0	34.2
60 CFM	in. H ₂ O	7.0	3.7		16.1	23.9	28.2
70 CFM	in. H ₂ O	3.7			13.8	17.9	19.6
80 CFM	in. H ₂ O				12.0	12.1	8.1
90 CFM	in. H ₂ O				8.7	0	
100 CFM	in. H ₂ O				6.7		
110 CFM	in. H ₂ O				0		

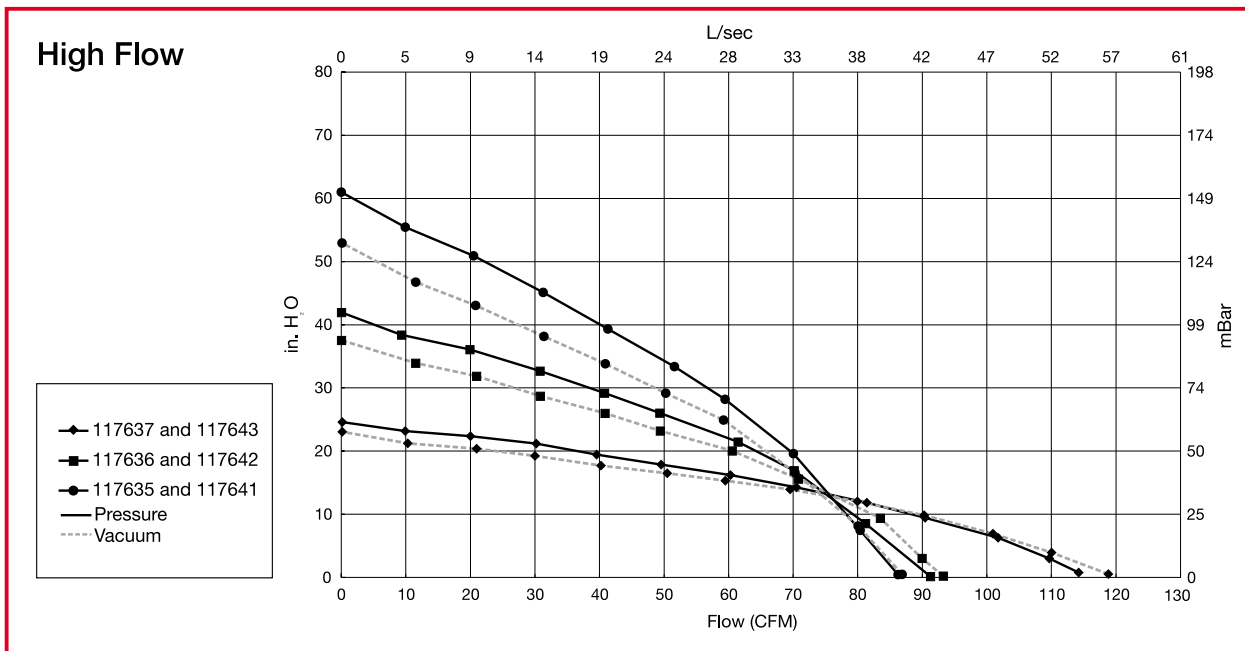
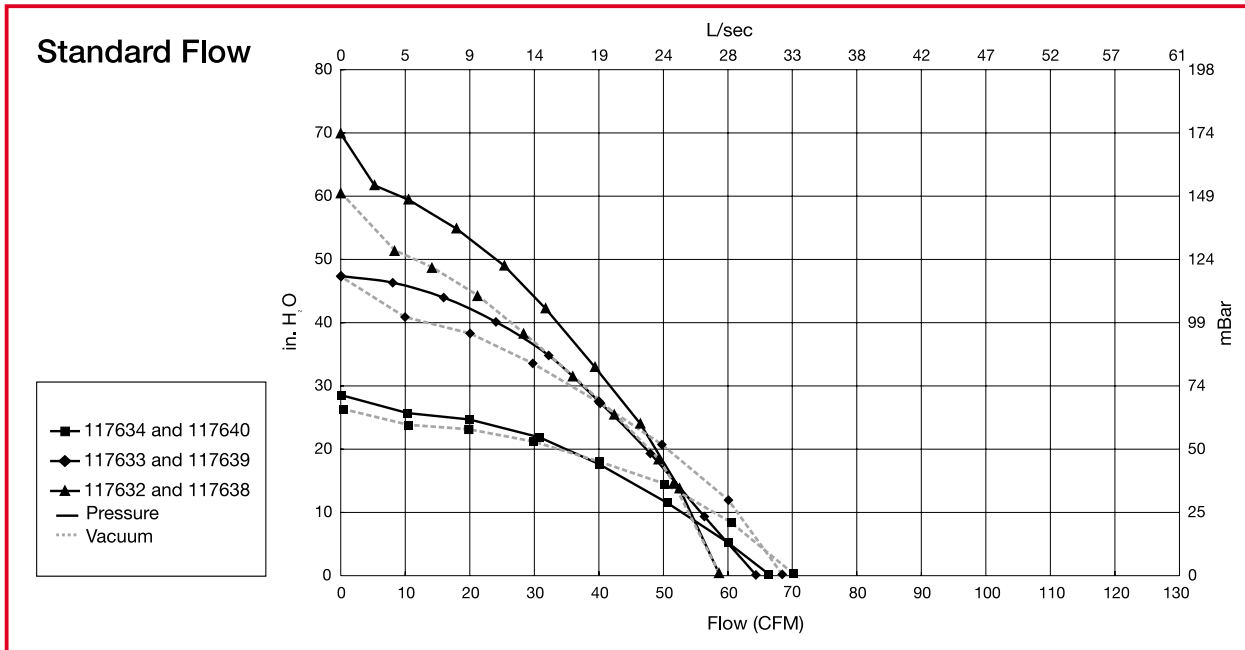
*These part numbers are available through AMETEK Rotron distributors.

NOTES:

- **Nominal input voltage:** 240 Volts AC RMS +/- 10%, 50/60Hz
- **Input current:** 5 amps AC RMS maximum
- **Temperature:** Working Air: 0°C to 50°C, Ambient Air: 0°C to 50°C, Storage Air: -40°C to 85°C
- **Dielectric Testing:** 1500 volts AC RMS 60Hz applied for one second between input pins and ground, 3mA leakage max.
- **Speed Control:** E (Electrical): Pulse Width Modulation or Analog input voltage (User Supplied), 0 to 10 Volts DC Nominal, 10mA Maximum, 3 to 15 volts DC Maximum. Access to sensitivity adjustment for 0-10 VDC speed control. (Ref. pin connection)
- **M (Mechanical):** A potentiometer is available for speed control of the blower. The potentiometer can be preset for a specific speed. Access to speed adjustment.

5.7" (145mm) BLDC Bypass Blower

400 WATT, 240 VOLT



- **Maximum Approximate Weight:** 6 lbs.
- **Regulatory Agency Certification:** T.U.V. Rheinland Bauart Certification* is qualified per EN60950 under License No. R0097184. Underwriters Laboratories, Inc. Qualified per UL507 under File E-94403. Canadian Standards Association Qualified per C22.2#113 under File LR 43448.
- **Miscellaneous:** Intake & exhaust tubes, all cooling ducts and vents must not be obstructed. Intake and exhaust are free of grease, oil, or foreign particles. Amp housing #1-480763-0 (to be supplied by customer), mates with post header assembly.

IEC 801 testing has been completed, and specific data can be provided upon request.

Mating harness available upon request. Refer to (page 84) for specific part numbers.

This document is for informational purposes only and should not be considered as a binding description of the products or their performance in all applications. The performance data on this page depicts typical performance under controlled laboratory conditions, data is corrected to 0.075 lb./ft³ air density (29.92" Hg @ 70° F.). Actual performance will vary depending on the operating environment and application. AMETEK Rotron products are not designed for use with volatile, hazardous or corrosive gases. Blower housings are not sealed, slight air/gas leakage will occur. AMETEK Rotron products are not designed for and should not be used in medical life support applications. AMETEK reserves the right to revise its products without notification. The above characteristics represent standard products. For product designed to meet specific applications contact AMETEK Rotron Marketing and Sales.