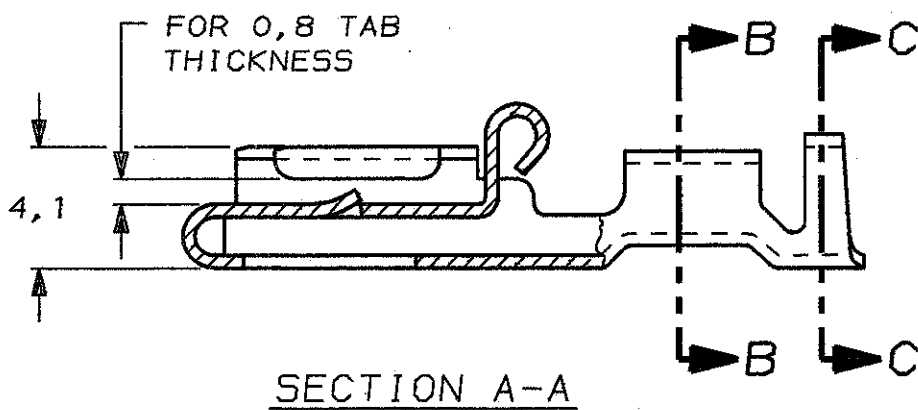
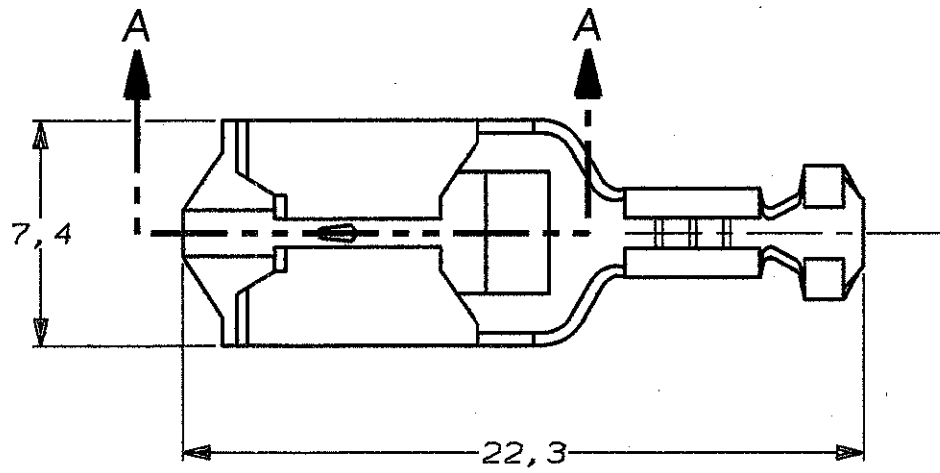
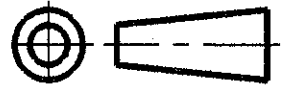


DO NOT SCALE
DIMENSIONS IN mm

METRIC

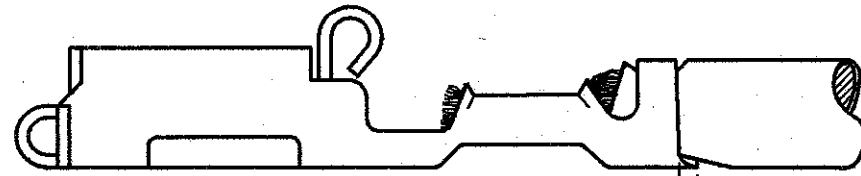
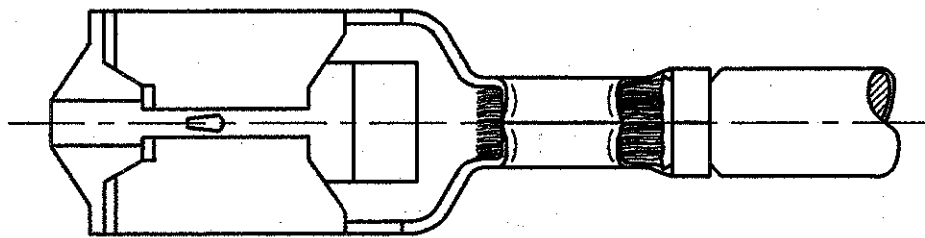
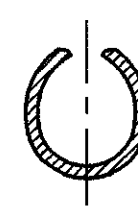
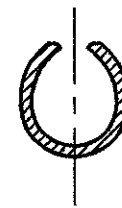
THIRD ANGLE
PROJECTION



SECTION A-A

SECTION B-B

SECTION C-C



0,25 MAX CUT OFF

WIRE RANGE :
0,7-2,0 mm²
INSULATION RANGE :
2,4-3,2 DIA.

154718-7	PRE-TINPLATED	PHOSPHORBRONZE	0-341002-7
154718-6	PRE-TINPLATED	BRASS	0-341002-6
154718-4	TINPLATED	PHOSPHORBRONZE	0-341002-4
154718-3	TINPLATED	BRASS	0-341002-3
154718-2	UNPLATED	PHOSPHORBRONZE	0-341002-2
154718-1	UNPLATED	BRASS	0-341002-1
STRIP VERSION	FINISH	MATERIAL	PARTNUMBER

CUSTOMER DRAWING FOR REFERENCE ONLY
WILL NOT BE UPDATED
© COPYRIGHT 19- BY AMP HOLLAND B.V.
ALL INTERNATIONAL RIGHTS RESERVED. AMP PRODUCTS MAY BE
COVERED BY U.S. AND FOREIGN AND/OR PATENTS PENDING.
THIS DRAWING IS UNPUBLISHED
RELEASED FOR PUBLICATION , 19

AMP

AMP HOLLAND B.V.
's-Hertogenbosch,
The Netherlands.

NAME
POSITIVE LOCK RECEPTACLE
.250 (6,35) SERIES (LOOSE PIECE)

LTR.	REVISION RECORD	DR.	CHK.	DATE	DWG. No.	REV. LTR.	SHEET
					C-341002	0	1 OF 1
DR. : L.V.D.HEIJDEN	CHK. : A.BIJNEN	APP. :		DATE: 01 MAR 1992	DATE: 5-3-92		A3