

**PLEASE CHECK WWW.MOLEX.COM FOR LATEST PART INFORMATION**

**Part Number:** [0351510210](#)  
**Status:** **Active**  
**Overview:** VersaBlade™ Wire-to-Wire Connector System  
**Description:** Wire-to-Wire VersaBlade™ Hybrid Receptacle Housing, 2 Circuits, Polyester UL94V-0, Natural

**Documents:**

<a href="#">3D Model</a>	<a href="#">Product Specification PS-35150-003 (PDF)</a>
<a href="#">Drawing (PDF)</a>	<a href="#">Packaging Specification PK-35151-003 (PDF)</a>
<a href="#">Product Specification PS-35150-001 (PDF)</a>	<a href="#">RoHS Certificate of Compliance (PDF)</a>

**Agency Certification**

CSA	LR19980
UL	E29179

**General**

Product Family	Crimp Housings
Series	<a href="#">35151</a>
Application	Power, Wire-to-Wire
Comments	Polarized to Mating Part, Positive Lock
Overview	<a href="#">VersaBlade™ Wire-to-Wire Connector System</a>
Product Name	VersaBlade™
UPC	800754375566

**Physical**

Circuits (maximum)	2
Color - Resin	Natural
Flammability	94V-0
Gender	Female
Glow-Wire Compliant	No
Keying to Mating Part	None
Lock to Mating Part	Yes
Material - Resin	Polyester
Net Weight	1.726/g
Number of Rows	1
Packaging Type	Bag
Panel Mount	No
Pitch - Mating Interface	6.20mm
Pitch - Termination Interface	6.20mm
Polarized to Mating Part	Yes
Stackable	No
Temperature Range - Operating	-40°C to +120°C

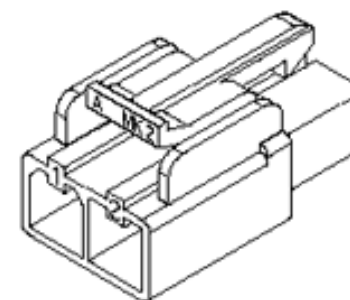
**Solder Process Data**

Lead-free Process Capability	N/A
------------------------------	-----

**Material Info**

**Reference - Drawing Numbers**

Packaging Specification	PK-35151-003
Product Specification	PS-35150-001, PS-35150-003
Sales Drawing	SD-35151-021*



*Series image - Reference only*

**EU ELV**

**Not Relevant**

**EU RoHS**

**Compliant**

**REACH SVHC**

Not Contained Per - ED/21/2016 (20 June 2016)

**Halogen-Free**

**Status**

**Not Low-Halogen**

**Need more information on product environmental compliance?**

Email [productcompliance@molex.com](mailto:productcompliance@molex.com)  
Please visit the [Contact Us](#) section for any non-product compliance questions.

China ROHS

ELV

Green Image

Not Relevant

**Search Parts in this Series**

[35151](#) Series

**Mates With**

[35150](#) Plug Housing

**Use With**

VersaBlade™ Crimp Terminals [35746](#) ,  
VersaBlade™ TPA [35150](#)