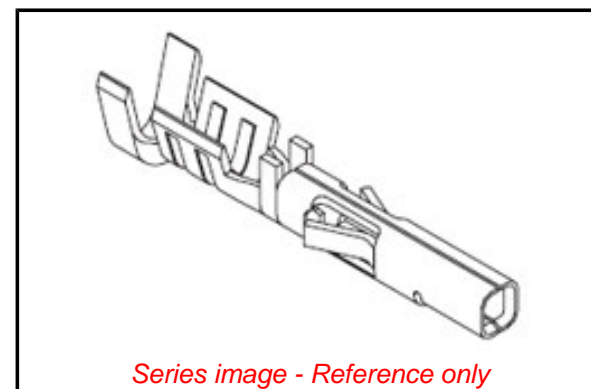


**PLEASE CHECK WWW.MOLEX.COM FOR LATEST PART INFORMATION**

**Part Number:** **0430300006**  
**Status:** **Active**  
**Overview:** Micro-Fit 3.0™ Connectors  
**Description:** Micro-Fit 3.0™ Crimp Terminal, Female, with Select Gold (Au) Plated Phosphor Bronze Contact, 26-30 AWG, Reel

**Documents:**

<a href="#">3D Model</a>	<a href="#">Test Summary TS-43045-002 (PDF)</a>
<a href="#">Drawing (PDF)</a>	<a href="#">RoHS Certificate of Compliance (PDF)</a>
<a href="#">Product Specification PS-43045 (PDF)</a>	<a href="#">Product Literature (PDF)</a>
<a href="#">Packaging Specification PK-43030-001 (PDF)</a>	



**General**

Product Family	Crimp Terminals
Series	43030
Application	Power
Crimp Quality Equipment	Yes
Overview	Micro-Fit 3.0™ Connectors
Packaging Alternative	43030-0012 (Loose)
Product Literature Order No	987650-5984
Product Name	Micro-Fit 3.0™
UPC	800754320993

**Physical**

Gender	Female
Material - Metal	Phosphor Bronze
Material - Plating Mating	Gold
Material - Plating Termination	Tin
Packaging Type	Reel
Plating min - Mating	0.762µm
Plating min - Termination	2.540µm
Termination Interface: Style	Crimp or Compression
Wire Insulation Diameter	1.27mm max.
Wire Size AWG	26, 28, 30
Wire Size mm²	N/A

**Electrical**

Current - Maximum per Contact	5.0A
-------------------------------	------

**Solder Process Data**

Lead-free Process Capability	N/A
------------------------------	-----

**Material Info**

**Reference - Drawing Numbers**

Packaging Specification	PK-43030-001
Product Specification	PS-43045, RPS-43045-003, RPS-43045-004
Sales Drawing	SD-43030-****
Test Summary	TS-43045-002

**EU ELV**

**Not Relevant**

**EU RoHS**

**Compliant**

**REACH SVHC**

Not Contained Per -  
ED/21/2016 (20 June  
2016)

**Halogen-Free**

**Status**

**Low-Halogen**

**Need more information on product environmental compliance?**

Email [productcompliance@molex.com](mailto:productcompliance@molex.com)  
Please visit the [Contact Us](#) section for any non-product compliance questions.

China ROHS  
ELV

Green Image  
Not Relevant

**Search Parts in this Series**

[43030 Series](#)

**Use With**

43025 , 43645 Micro-Fit 3.0™ Receptacle Housings, 44133 Micro-Fit BMI™ Panel Mount Receptacle Housings

**Application Tooling | FAQ**

*Tooling specifications and manuals are found by selecting the products below. Crimp Height Specifications are then contained in the Application Tooling Specification document.*

**Global**

Description	Product #
Hand Crimp Tool	<a href="#">0638190000</a>
Extraction Tool	<a href="#">0011030043</a>
Insertion Tool for Crimp Terminal	<a href="#">0638120800</a>

FineAdjust™ Applicator for Insulation OD 0.63-1.10mm, 26-30 AWG	<u>0639001600</u>
FineAdjust™ Applicator for Insulation OD 1.12-1.27mm, 26-30 AWG Wire	<u>0639004400</u>
T2 Terminator™ for insulation OD 1.12-1.27mm - 26-30 AWG	<u>0639104400</u>
<b>Japan</b>	
<b>Description</b>	<b>Product #</b>
Applicator for M21 1A Bench Press, 20-30 AWG Wire	<u>0572983000</u>

This document was generated on 10/06/2016

**PLEASE CHECK [WWW.MOLEX.COM](http://WWW.MOLEX.COM) FOR LATEST PART INFORMATION**