

**PLEASE CHECK WWW.MOLEX.COM FOR LATEST PART INFORMATION**

**Part Number:** [0513532800](#)  
**Status:** **Active**  
**Overview:** MicroClasp™ Wire-to-Board System  
**Description:** 2.00mm Pitch MicroClasp™ Wire-to-Board Receptacle Housing, Positive Lock, Dual Row, 28 circuits

**Documents:**

<a href="#">3D Model</a>	<a href="#">Product Specification PS-51353-003 (PDF)</a>
<a href="#">Drawing (PDF)</a>	<a href="#">RoHS Certificate of Compliance (PDF)</a>
<a href="#">Product Specification 513530000 (PDF)</a>	

**Agency Certification**

UL E29179

**General**

Product Family	Crimp Housings
Series	51353
Application	Signal, Wire-to-Board
Overview	<a href="#">MicroClasp™ Wire-to-Board System</a>
Product Name	MicroClasp™
UPC	756054235843

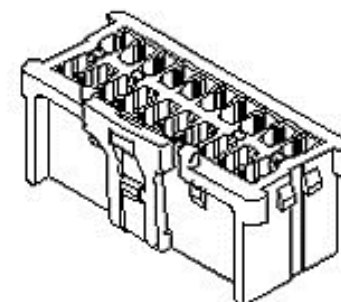
**Physical**

Circuits (maximum)	28
Color - Resin	White
Flammability	94V-0
Gender	Female
Glow-Wire Compliant	No
Lock to Mating Part	Yes
Material - Resin	Nylon
Net Weight	1264.000/mg
Number of Rows	2
Packaging Type	Bag
Panel Mount	No
Pitch - Mating Interface	2.00mm
Stackable	No
Temperature Range - Operating	-25°C to +85°C

**Material Info**

**Reference - Drawing Numbers**

Product Specification	513530000, PS-51353-003
Sales Drawing	SD-51353-002



*Series image - Reference only*

**EU ELV**

**Not Relevant**

**EU RoHS**

**Compliant**

**REACH SVHC**

Not Contained Per -  
ED/21/2016 (20 June  
2016)

**Halogen-Free**

**Status**

**Low-Halogen**

**Need more information on product environmental compliance?**

Email [productcompliance@molex.com](mailto:productcompliance@molex.com)  
Please visit the [Contact Us](#) section for any non-product compliance questions.

China ROHS

ELV

Green Image

Not Relevant

**Search Parts in this Series**

[51353](#) Series

**Mates With**

[55917](#) Vertical Header with Kinked PC Tails,  
[55959](#) Right Angle Header, [501844](#) Vertical Header

**Use With**

[56134](#) Terminal