

PLEASE CHECK WWW.MOLEX.COM FOR LATEST PART INFORMATION

Part Number: **0196001306**
Status: **Active**
Overview: Standard Quick-Disconnect Terminals
Description: Avikrimp™ Fully Insulated Female Quick Disconnect

Documents:

3D Model [Product Specification PS-19902-015 \(PDF\)](#)
Drawing (PDF) [RoHS Certificate of Compliance \(PDF\)](#)
Product Specification PS-19902-014 (PDF)

Agency Certification

CSA LR18689
UL E79133

General

Product Family Quick Disconnects
Series [19600](#)
Crimp Quality Equipment Yes
Insulated Fully
Overview [Standard Quick-Disconnect Terminals](#)
Product Name Avikrimp™
Type Quick Disconnect
UPC 800753117808

Physical

Barrel Type Closed
Color - Resin Yellow
Flammability 94V-2
Gender Female
Glow-Wire Compliant No
Insulation Nylon (PA)
Lock to Mating Part None
Material - Metal Brass
Material - Plating Mating Tin
Material - Plating Termination Tin
Net Weight 1.366/g
Orientation Straight
Packaging Type Adhesive Tape on Reel
Polarized to Mating Part No
Tab Thickness 0.81mm
Tab Width 6.35mm
Temperature Range - Operating -65°C to +105°C
Wire Insulation Diameter 6.89x4.32mm max.
Wire Size AWG 16+16, 18+18, 20+20, 22+22

Electrical

Voltage - Maximum 300V

Solder Process Data

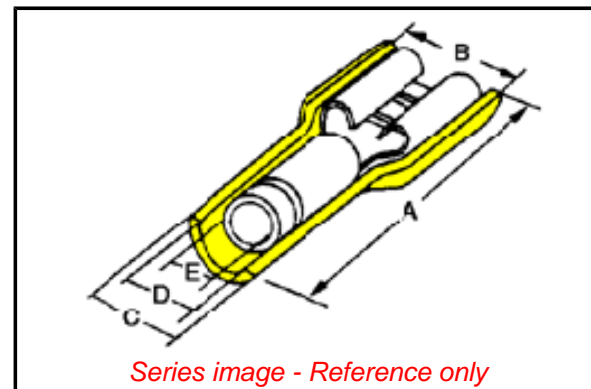
Lead-free Process Capability N/A

Material Info

Engineering Number P-5242T

Reference - Drawing Numbers

Product Specification PS-19902-014, PS-19902-015
Sales Drawing SD-19600-1300



Series image - Reference only

EU ELV

Not Relevant

EU RoHS

Compliant

REACH SVHC

Not Contained Per -
ED/21/2016 (20 June
2016)

Halogen-Free

Status

Low-Halogen

**Need more information on product
environmental compliance?**

Email productcompliance@molex.com
Please visit the [Contact Us](#) section for any
non-product compliance questions.

China ROHS

ELV

Green Image

Not Relevant

Search Parts in this Series

[19600 Series](#)

Application Tooling | FAQ

*Tooling specifications and manuals are
found by selecting the products below.
Crimp Height Specifications are then
contained in the Application Tooling
Specification document.*

Global

Description	Product #
ATP Crimp Dies for the Tape Crimp Module and ATP-101 & 301 Press	0190270001
ATP Crimp Dies for the Tape Crimp Module and ATP-101 & 301 Press	0190270310

This document was generated on 09/20/2016

PLEASE CHECK WWW.MOLEX.COM FOR LATEST PART INFORMATION