

**PLEASE CHECK WWW.MOLEX.COM FOR LATEST PART INFORMATION**

**Part Number:** [0022057025](#)  
**Status:** **Active**  
**Overview:** SPOX™ Wire-to-Board Connectors  
**Description:** 2.50mm Pitch SPOX™ Wire-to-Board Header, Right Angle, Shrouded, Friction Lock, 2 Circuits

**Documents:**

[3D Model](#) [Packaging Specification SPK-5268-001 \(PDF\)](#)  
[Drawing \(PDF\)](#) [RoHS Certificate of Compliance \(PDF\)](#)  
[Product Specification PS-5264-001 \(PDF\)](#)

**Agency Certification**

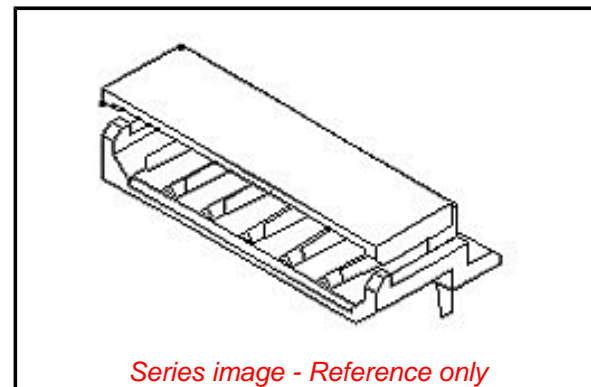
CSA LR19980  
 UL E29179

**General**

Product Family PCB Headers  
 Series 5268  
 Application Signal, Wire-to-Board  
 MolexKits Yes  
 Overview SPOX™ Wire-to-Board Connectors  
 Product Name SPOX™  
 UPC 800753592759

**Physical**

Breakaway No  
 Circuits (Loaded) 2  
 Circuits (maximum) 2  
 Color - Resin Natural  
 Durability (mating cycles max) 30  
 First Mate / Last Break No  
 Flammability 94V-0  
 Glow-Wire Compliant No  
 Guide to Mating Part No  
 Keying to Mating Part None  
 Lock to Mating Part Yes  
 Material - Plating Mating Tin  
 Material - Plating Termination Tin  
 Material - Resin Nylon  
 Net Weight 252.200/mg  
 Number of Rows 1  
 Orientation Right Angle  
 PC Tail Length 3.50mm  
 PCB Locator No  
 PCB Retention None  
 PCB Thickness - Recommended 1.60mm  
 Packaging Type Bag  
 Pitch - Mating Interface 2.50mm  
 Plating min - Mating 4.064µm  
 Plating min - Termination 4.064µm  
 Polarized to Mating Part Yes  
 Polarized to PCB No  
 Shrouded Fully  
 Stackable No  
 Surface Mount Compatible (SMC) No  
 Temperature Range - Operating -40°C to +105°C  
 Termination Interface: Style Through Hole



**EU ELV**

**Not Relevant**

**EU RoHS**

**Compliant**

**REACH SVHC**

Not Contained Per -  
 ED/21/2016 (20 June  
 2016)

**Halogen-Free**

**Status**

**Not Low-Halogen**

**Need more information on product  
 environmental compliance?**

Email [productcompliance@molex.com](mailto:productcompliance@molex.com)  
 Please visit the [Contact Us](#) section for any  
 non-product compliance questions.

China ROHS

ELV

Green Image  
 Not Relevant

**Search Parts in this Series**

[5268](#) Series

**Mates With**

[5264](#) SPOX™ Wire-to-Board Crimp Housing

**Electrical**

Current - Maximum per Contact  
Voltage - Maximum

3.0A  
250V

**Material Info**

Engineering Number

5268-02A

**Reference - Drawing Numbers**

Packaging Specification

SPK-5268-001

Product Specification

PS-5264-001, RPS-5264-005, RPS-5268-001

Sales Drawing

SD-5268-NA

This document was generated on 09/29/2016

**PLEASE CHECK [WWW.MOLEX.COM](http://WWW.MOLEX.COM) FOR LATEST PART INFORMATION**