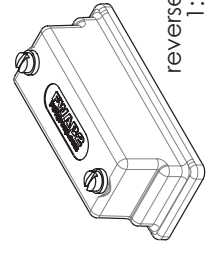
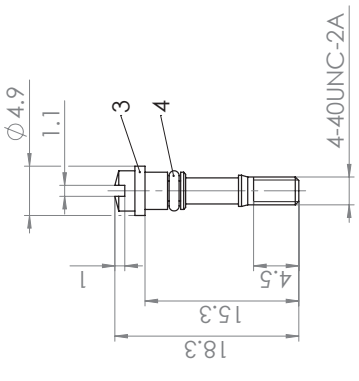
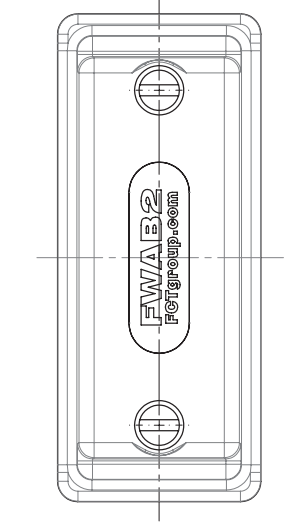
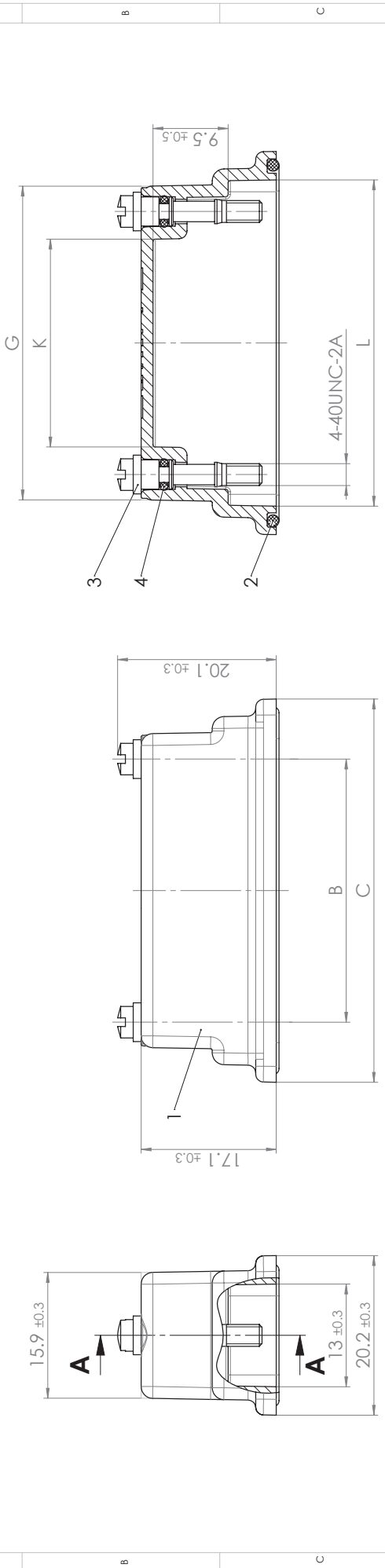


Order-No.	Shell Size / No. of Contacts	B	C	G	K	L
FWAB1	1 / 9	25 ±0.1	40.3 ±0.3	31.4 ±0.3	18	32.6 ±0.3
FWAB2	2 / 15	33.3	48.5	39.7	26.3	41.3
FWAB3	3 / 25	47	62.3	53.5	40	55.1

A-A



max. torque are 40 Ncm
 Protection standard IP67, 100% checked
 according to DIN EN 60529

RoHS compliant

No.	St.	Part	Type Description/Material
4	2	FVSW - O-ring seal	Elastomer
3	2	Locking screw	FVSW1/5-K1449 4-40 / Brass
2	1	O-ring seal	Elastomer
1	1	Plastic dust cup	FWAB1-3 / PC+ABS

NAME / DATE	SCALE	TITLE
29-01-2015	2:1	Plastic dust cup waterproof
25-08-2015		

REV.	DATE	CH.-NO.	DWG.NO.	REPLACEMENT FOR:
2	24.08.2015	23801	FWAB1-3	
1				



COMMENT: IT MAY NEITHER BE PUBLISHED NOR MADE AVAILABLE TO A THIRD PARTY. ALL RIGHTS ARE RESERVED BY US FOR THIS DRAWING. WITHOUT OUR PRIOR CONSENT, AND IT ALSO MAY NOT BE IMPROPERLY USED BY THE RECEIVER, OR A THIRD PARTY.