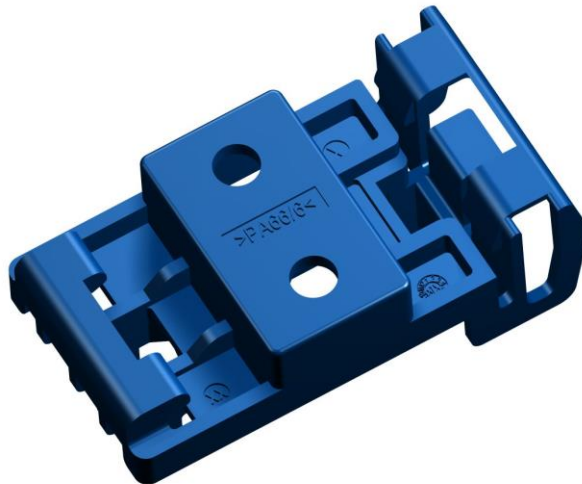
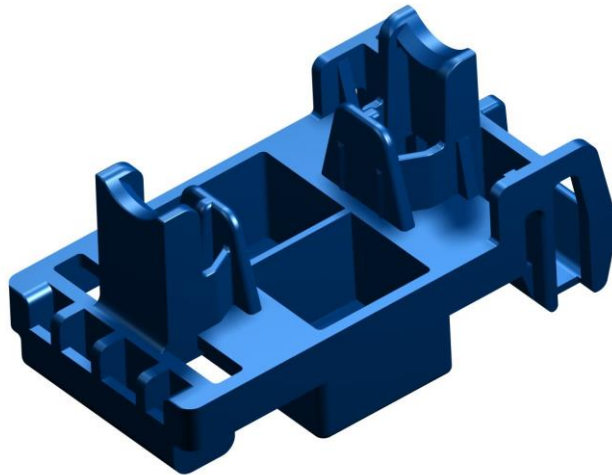




3D CAD Model

DIN RAIL ADAPTER TOP S10

15 October 2015 YHo



You understand that the information contained in these files may not be adequate, complete or accurate, and the products depicted in drawings, models, specifications, and other types of content may not be to the most recent version. Only the current datasheet contains latest information. You understand and agree that the Terms and Conditions of the LEM Web Sites apply to these files. The terms and Conditions are accessible on the LEM Web sites. The use of these files are provided to you conditioned on your acceptance of the Terms and Conditions, including without limitation, LEM disclaimer and use limitation.

No. 28 Linhe Str.Industrial
Development Zone
Shunyi
Beijing, People Republic of China
101300

LEM Intellectual Property SA
Avenue Beauregard 1
1700 Fribourg
Switzerland

Tel. : +86 10 89 45 52 88
Fax.: +86 10 80 48 43 03 (sales)
Fax: +86 10 80 48 31 20 (others)
www.lem.com.cn