

Category 6/6A tool-less keystone socket



Category 6/6A jack (SKFS)

Our Category 6/6A jack offers a tool-less keystone solution for almost any Category 5e, Category 6 or Category 6A STP requirement

Features

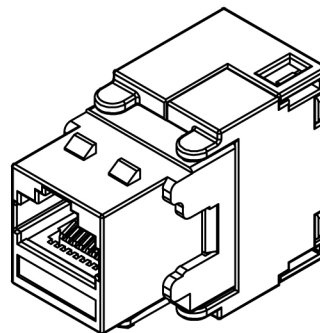
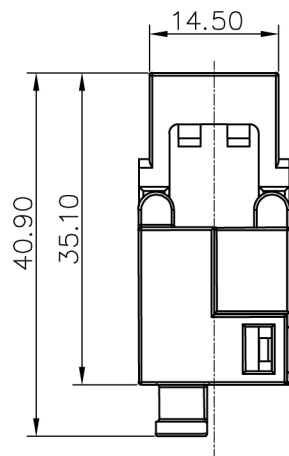
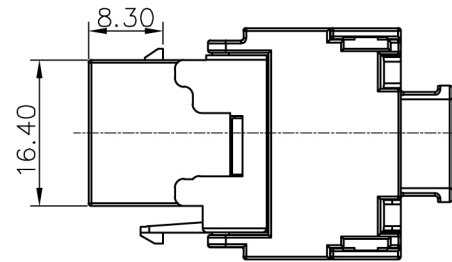
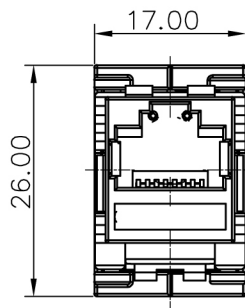
- High performance data throughput, meets the standard for data transfer rates at Category 6 (component level) and Category 6A (permanent link level)
- STP socket to FCC68 standard
- Quick, easy and reliable tool-less termination with 'butterfly' style levers
- Standard format keystone fits a wide range of panels, adaptors and faceplates
- Fully shielded die-cast body is robust as well as offering outstanding performance in eliminating alien cross-talk
- Panel mount, D UNIVERSAL and DIN rail mountable versions also available.

Specifications

- Weight: 28g
- Dimensions: 40.90 x 17 x 26mm (L x W x H)
- Colour: Silver
- Materials:
 - Housing + Insert: Nickel plated zinc alloy
 - PCB: FR-4
 - Contact: 50µ"/1.27µm gold plated over nickel over phosphor bronze
 - IDC contact: Phosphor bronze with nickel plating
- Individually packed, supplied with cable tie

26/09/2016

ROHS Compliant

Code: SKFS**NOTES:****ELECTRICAL:**

1. VOLTAGE RATING: 125 VAC RMS.
2. CURRENT RATING: 1.5 AMP.
3. CONTACT RESISTANCE: 100 MILLIOHMS MAX.
4. INSULATION RESISTANCE: 1000 MEGOHMS MIN @ 500 VDC.
5. DIELECTRIC STRENGTH: 750 VAC RMS 60Hz, 1MIN.
6. C6A CONNECTING HARDWARE:
CONFORM TO ANSI/TIA/EIA-568 B.2-1

ENVIRONMENTAL:

1. STORAGE: -40°C TO +85°C.
2. OPERATION: -40°C TO +85°C.

CONFORM TO TIA/EIA 568B

MATES WITH MODULAR PLUG CONFORMING TO TIA-1096-A.