

Product / Process Change Notification



N° 2016-029-B !! UPDATE !!

- Updated Information in **BLUE TYPE**
- Original PCN: N° 2016-029-A dated 11. April 2016

Dear Customer,

Attached please find an updated PCN 2016-029-B for your attention with an adjusted time schedule.

Introduction of 5,0 mm Dome diameter for Econo3B platform and modification of the lid as precondition

If you have any questions, please do not hesitate to contact your local Sales office.

Infineon Technologies AG
Postal Address Headquarters: Am Campeon 1-12, D-85579 Neubiberg, Phone +49 (0)89 234-0
Chairman of the Supervisory Board: Wolfgang Mayrhuber
Management Board: Dr. Reinhard Ploss (CEO), Dominik Asam, Dr. Helmut Gassel, Jochen Hanebeck
Registered Office: Neubiberg Commercial Register
Amtsgericht München HRB 126492

Product / Process Change Notification



N° 2016-029-B !! UPDATE !!

■ Updated Information in **BLUE TYPE**

■ Original PCN: N° 2016-029-A dated 11. April 2016

► **Products affected:** Please refer to affected products list 1_cip16029A

► **Detailed Change Information:**

Subject: Increase of the outer diameter of the domes from 4,3mm to 5,0mm.

Reason: Harmonization of the Dome diameter

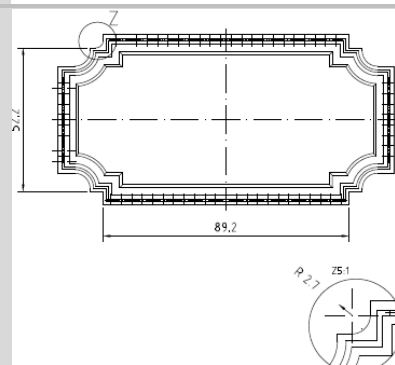
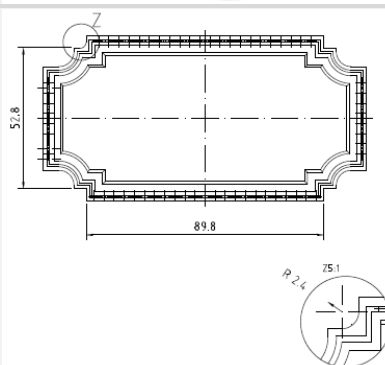
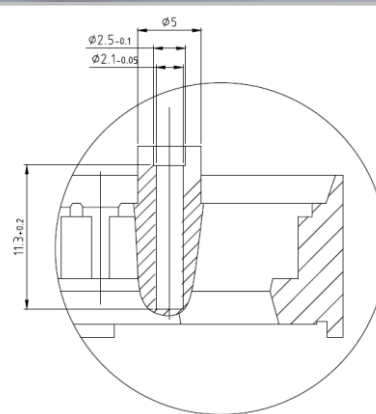
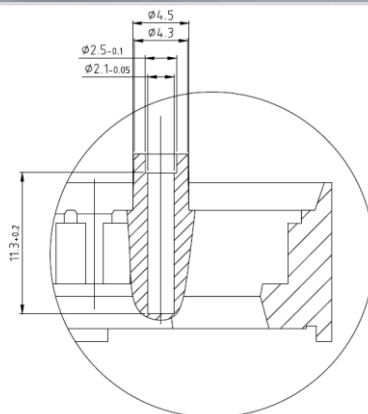
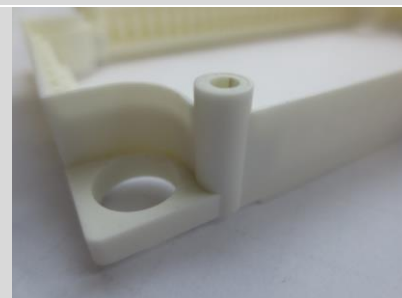
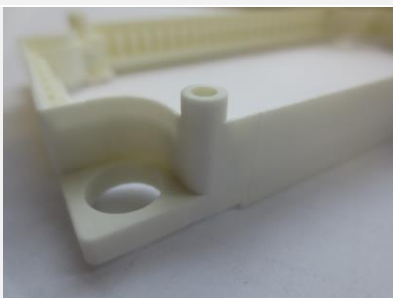
Description:

Old

New

■ Outer diameter of the dome is 4,3 mm existing lid

■ Outer diameter of the dome is 5,0 mm new lid



Product / Process Change Notification



N° 2016-029-B !! UPDATE !!

■ Updated Information in **BLUE TYPE**

■ Original PCN: N° 2016-029-A dated 11. April 2016

▶ **Product Identification:** The new diameter of the domes will be shown in the package outline at the datasheet.

▶ **Impact of Change:** The outer dimension of the module at the dome area will slightly change.

▶ **Attachments:** 1_cip16029A.xlsx affected product list

▶ **Time Schedule:**

■ Final qualification report:

22-April-2016

22-April-2016

■ First samples available:

29-April-2016

29-April-2016

■ Intended start of delivery:

01-June-2016

December-2016

If you have any questions, please do not hesitate to contact your local Sales office.