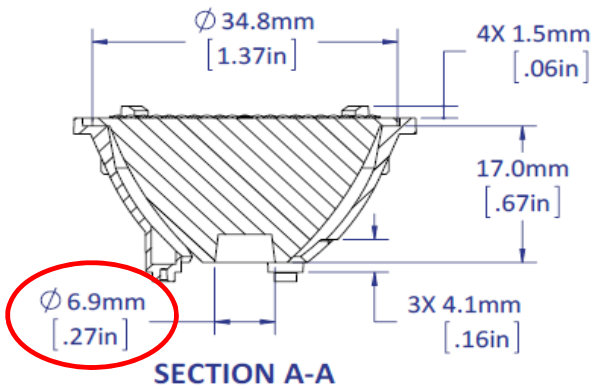




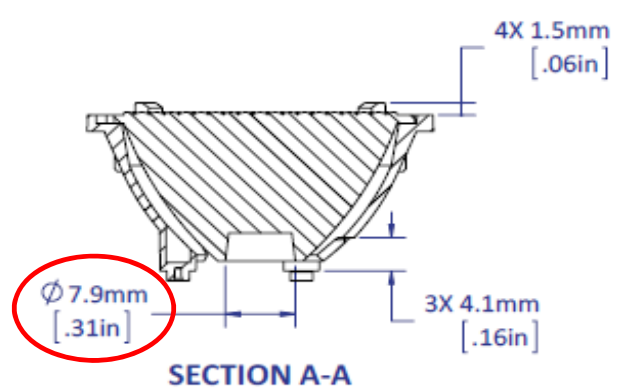
Product End-of-Life (EOL) Notification

AFFECTED PART NUMBER(S): LLNS-1T06-x LLNF-1T06-x LLFL-1T06-x		EOL No. <p style="text-align: center;">22</p>
PART DESCRIPTION: LZ4 Narrow Spot TIR Lens LZ4 Narrow Flood TIR Lens LZ4 Flood TIR Lens		DATE: <p style="text-align: center;">7/6/2015</p>
RECOMMENDED REPLACEMENT PART NUMBER(S):		
<i>Affected P/Ns</i>	<i>Replacement P/Ns</i>	<i>Description of Replacement Part</i>
LLNS-1T06-x	LLNS-2T06-x	<i>Form, fit and function compatible with the affected P/Ns, but note that:</i> 1. Inner light pipe diameter increased from 6.9mm (in affected P/Ns) to 7.9mm (in replacement P/Ns). See next page for details. 2. Performance comparison table is on next page.
LLNF-1T06-x	LLNF-2T06-x	
LLFL-1T06-x	LLFL-2T06-x	
REASON FOR EOL: Transitioning to set of lenses with larger inner light pipe diameter to ease pick and place in large scale fixture assembly.		
LAST ORDER DATE: LED Engin will continue to accept order for the affected parts until inventory is depleted		LAST SHIPMENT DATE: <p style="text-align: center;">N/A</p>
DISPOSITION OF EXISTING INVENTORY: LED Engin will continue to accept order for the affected parts until inventory is depleted		
NOTE: <p style="text-align: center;">N/A</p>		
CONTACT PERSON: Erin Tjahjono Product Manager 651 River Oaks Parkway San Jose, CA 95134 etjahjono@ledengin.com		

LLxx-1T06-x (Affected P/Ns)



LLxx-2T06-x (Replacement P/Ns)



Part Number	Beam Angle (deg)	On-axis Intensity (cd/lm)
LLNS-1T06-x	14	7.9
LLNS-2T06-x	14	8.8
LLNF-1T06-x	22	3.0
LLNF-2T06-x	25	2.9
LLFL-1T06-x	40	1.6
LLFL-2T06-x	37	1.6