

NO: RL-157 **PRODUCT:** MYJ General Purpose Relays
DATE: August 2016 **TYPE:** Discontinuation Notice

MYJ Miniature Power Relays will be Discontinued; Replace with MY-GS Series

Discontinuation date: September 2016

Note: Date is subject to change based on raw materials and components availability at the factory.



Affected Parts

Discontinued Product	Recommended Replacement
MY4N-J DC6	MY4N-GS DC6
MY4N-J DC48	MY4N-GS DC48
MY4N-J DC12	MY4N-GS DC12
MY4N-J DC100/110	MY4N-GS DC100/110
MY4N-J AC6	MY4N AC6
MY4N-J AC48	MY4N-GS AC48
MY4N-J AC12	MY4N-GS AC12
MY4N-J AC110/120	MY4N-GS AC110/120
MY4N-D2-J DC48	MY4N-D2-GS DC48
MY4N-D2-J DC24	MY4N-D2-GS DC24
MY4N-D2-J DC12	MY4N-D2-GS DC12
MY4N-D2-J DC100/110	MY4N-D2-GS DC100/110
MY4N-CR-J AC220/240	MY4N-CR-GS AC220/240
MY4N-CR-J AC200/220	MY4N-CR-GS AC200/220
MY4N-CR-J AC110/120	MY4N-CR-GS AC110/120
MY4N-CR-J AC100/110	MY4N-CR-GS AC100/110
MY4-J DC6	MY4-GS DC6
MY4-J DC48	MY4-GS DC48
MY4-J DC125	MY4 DC125
MY4-J DC12	MY4-GS DC12
MY4-J DC100/110	MY4-GS DC100/110
MY4-J AC6	MY4 AC6
MY4-J AC48	MY4-GS AC48
MY4-J AC12	MY4-GS AC12
MY4-J AC110/120	MY4-GS AC110/120
MY4-D-J DC48	MY4N-D2-GS DC48
MY4-D-J DC24	MY4N-D2-GS DC24
MY4-D-J DC12	MY4N-D2-GS DC12

Discontinued Product	Recommended Replacement
MY4-D-J DC100/110	MY4N-D2-GS DC100/110
MY4-CR-J AC220/240	MY4N-CR-GS AC220/240
MY4-CR-J AC200/220	MY4N-CR-GS AC200/220
MY4-CR-J AC110/120	MY4N-CR-GS AC110/120
MY4-CR-J AC100/110	MY4N-CR-GS AC100/110
MY4NJ-1-D2 DC24	No recommended replacement
MY2N-J DC6	MY2N-GS DC6
MY2N-J DC48	MY2N-GS DC48
MY2N-J DC12	MY2N-GS DC12
MY2N-J DC100/110	MY2N-GS DC100/110
MY2N-J AC6	MY2N AC6
MY2N-J AC50	MY2N-GS AC48
MY2N-J AC12	MY2N-GS AC12
MY2N-J AC110/120	MY2N-GS AC110/120
MY2N-D2-J DC48	MY2N-D2-GS DC48
MY2N-D2-J DC24	MY2N-D2-GS DC24
MY2N-D2-J DC12	MY2N-D2-GS DC12
MY2N-D2-J DC100/110	MY2N-D2-GS DC100/110
MY2N-CR-J AC220/240	MY2N-CR-GS AC220/240
MY2N-CR-J AC200/220	MY2N-CR-GS AC200/220
MY2N-CR-J AC110/120	MY2N-CR-GS AC110/120
MY2N-CR-J AC100/110	MY2N-CR-GS AC100/110
MY2-J DC6	MY2-GS DC6
MY2-J DC48	MY2-GS DC48
MY2-J DC100/110	MY2-GS DC100/110
MY2-J AC6	MY2 AC6
MY2-J AC50	MY2-GS AC48
MY2-J AC48	MY2-GS AC48
MY2-J AC12	MY2-GS AC12
MY2-J AC110/120	MY2-GS AC110/120
MY2-D-J DC48	MY2N-D2-GS DC48
MY2-D-J DC24	MY2N-D2-GS DC24
MY2-D-J DC12	MY2N-D2-GS DC12
MY2-D-J DC100/110	MY2N-D2-GS DC100/110
MY2-CR-J AC220/240	MY2N-CR-GS AC220/240
MY2-CR-J AC200/220	MY2N-CR-GS AC200/220
MY2-CR-J AC110/120	MY2N-CR-GS AC110/120
MY2-CR-J AC100/110	MY2N-CR-GS AC100/110



Cautions on Applying Replacements

- Characteristics of the replacement are different from the discontinued parts.
- Color of the case changed from blue to clear.

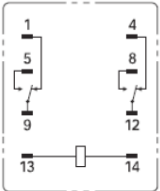
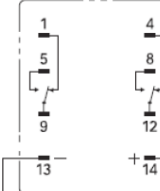

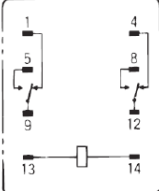
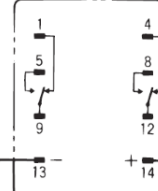
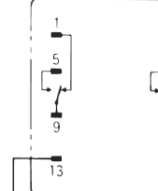
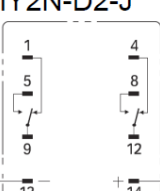
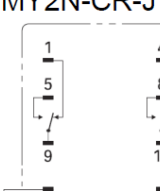
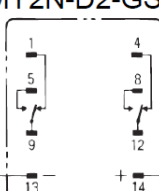
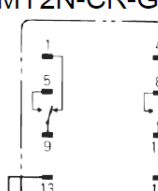
See the detail of differences on the following pages.

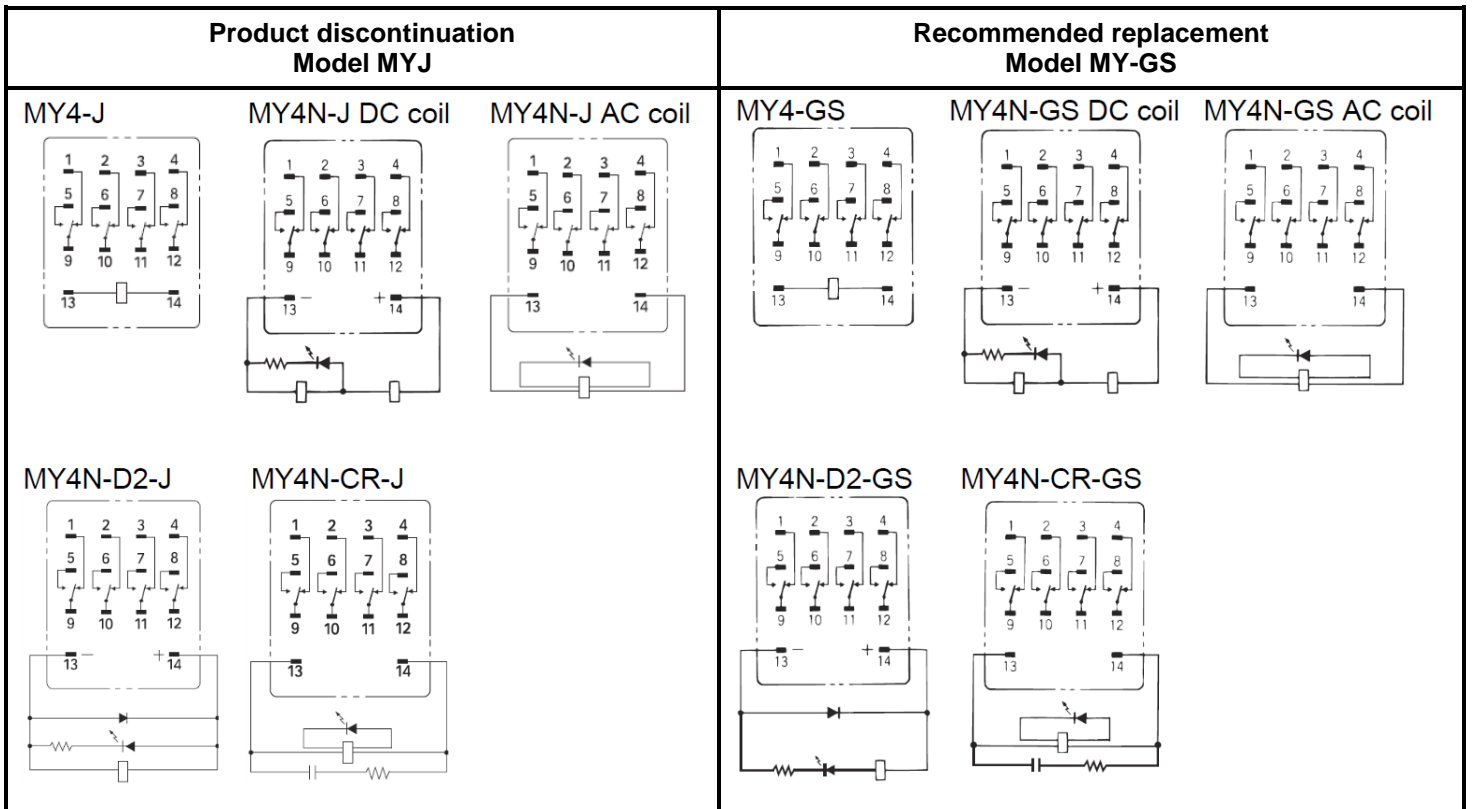
Detail of Differences

Body Color

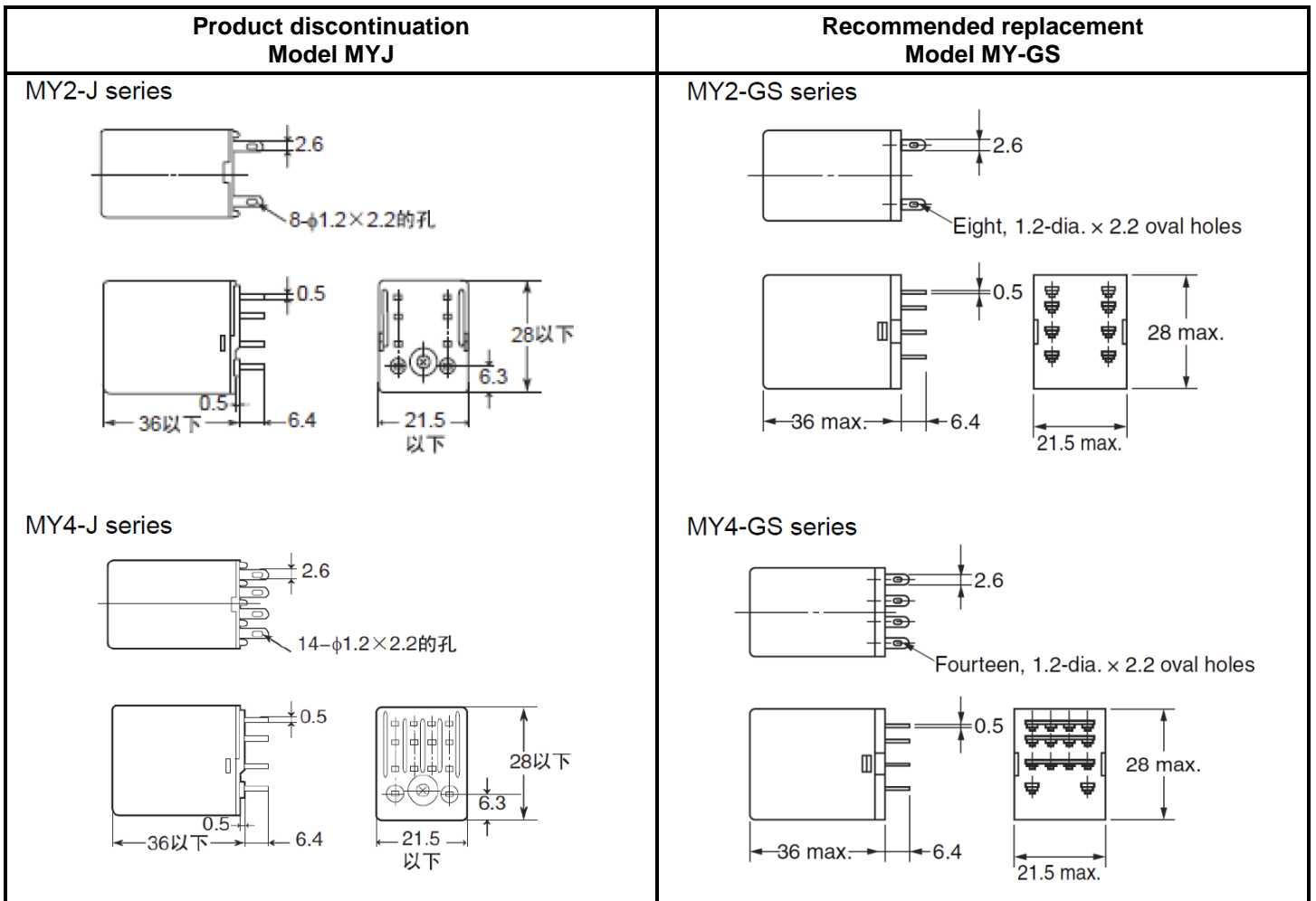
Product discontinuation Model MYJ	Recommended replacement Model MY-GS
<p>Blue case</p> 	<p>Clear case</p> 

Wiring Diagrams

Product discontinuation Model MYJ			Recommended replacement Model MY-GS		
<p>Bottom view MY2-J</p> 	<p>MY2N-J DC coil</p> 	<p>MY2N-J AC coil</p> 	<p>Bottom view MY2-GS</p> 	<p>MY2N-GS DC coil</p> 	<p>MY2N-GS AC coil</p> 
<p>MY2N-D2-J</p> 	<p>MY2N-CR-J</p> 	<p>MY2N-D2-GS</p> 	<p>MY2N-CR-GS</p> 		



Dimensions Unit: mm



Coil Ratings

Product discontinuation Model MYJ	Recommended replacement Model MY-GS
Rated current at 50 Hz (60 Hz): 6 VDC: 150 mA 12 VDC: 75 mA 24 VDC: 36.9 mA 48 VDC: 18.5 mA 100/110 VDC: 9.1 mA/10 mA 6 VAC: 214.1 mA (183 mA) 12 VAC: 106.5 mA (91 mA) 24 VAC: 53.8 mA (46 mA) 48 VAC: 25.7 mA (22 mA) 50 VAC: 25.7 mA (22 mA) 100/110 VAC: 11.7 mA/12.9 mA (10 mA/11 mA) 110/120 VDC: 9.9 mA/10.8 mA (8.4 mA/9.2 mA) 200/220 VAC: 6.2 mA/6.8 mA (5.3 mA/5.8 mA) 220/240 VAC: 4.8 mA/5.3 mA (4.2 mA/4.6 mA)	Rated current at 50 Hz (60 Hz): 6 VDC: 146 mA 12 VDC: 72.7 mA 24 VDC: 36.3 mA 48 VDC: 17.6 mA 100/110 VDC: 8.7 mA/9.6 mA 6 VAC: 183 mA (* MY2, MY4 model) 12 VAC: 106.5 mA (91 mA) 24 VAC: 53.8 mA (46 mA) 48 VAC: 25.7 mA (21.1 mA) 100/110 VAC: 11.7 mA/12.9 mA (10 mA/11 mA) 110/120 VDC: 9.9 mA/10.8 mA (8.4 mA/9.2 mA) 200/220 VAC: 6.2 mA/6.8 mA (5.3 mA/5.8 mA) 220/240 VAC: 5.2 mA/6.2 mA (4.3 mA/5.0 mA)
Coil resistance: 6 VDC: 40 ohm 12 VDC: 160 ohm 24 VDC: 650 ohm 48 VDC: 2,600 ohm 100/110 VDC: 11,000 ohm 6 VAC: 12.2 ohm 12 VAC: 46 ohm 24 VAC: 180 ohm 48 VAC: 788 ohm 100/110 VAC: 3,750 ohm 110/120 VDC: 4,430 ohm 200/220 VAC: 12,950 ohm 220/240 VAC: 18,790 ohm	Coil resistance: 6 VDC: 41.0 ohm 12 VDC: 165 ohm 24 VDC: 662 ohm 48 VDC: 2,725 ohm 100/110 VDC: 11,440 ohm 6 VAC: 12.2 ohm (* MY2, MY4 model) 12 VAC: 46 ohm 24 VAC: 180 ohm 48 VAC: 788 ohm 100/110 VAC: 3,750 ohm 110/120 VDC: 4,430 ohm 200/220 VAC: 12,950 ohm 220/240 VAC: 15,920 ohm
Must-operate voltage: 80% max.	Must-operate voltage: 80% max.
Must-release voltage: AC coil models: 30% min. DC coil models: 10% min.	Must-release voltage: AC coil models: 30% min. DC coil models: 10% min.
Maximum voltage: 110%	Maximum voltage: 110%
Power consumption: 6 VDC: 0.9 W 12 VDC: 0.9 W 24 VDC: 0.9 W 48 VDC: 0.9 W 100/110 VDC: 0.9 W 6 VAC: 1.0 to 1.2 VA 12 VAC: 1.0 to 1.2 VA 24 VAC: 1.0 to 1.2 VA 48 VAC: 1.0 to 1.2 VA 50 VAC: 1.0 to 1.2 VA 100/110 VAC: 0.9 to 1.1 VA 110/120 VDC: 0.9 to 1.1 VA 200/220 VAC: 0.9 to 1.1 VA 220/240 VAC: 0.9 to 1.1 VA	Power consumption: 6 VDC: 0.9 W 12 VDC: 0.9 W 24 VDC: 0.9 W 48 VDC: 0.9 W 100/110 VDC: 0.9 W 6 VAC: 1.0 to 1.2 VA (60 Hz) (* MY2, MY4 model) 12 VAC: 0.9 to 1.3 VA (60 Hz) 24 VAC: 0.9 to 1.3 VA (60 Hz) 48 VAC: 0.9 to 1.3 VA (60 Hz) 100/110 VAC: 0.9 to 1.3 VA (60 Hz) 110/120 VDC: 0.9 to 1.3 VA (60 Hz) 200/220 VAC: 0.9 to 1.3 VA (60 Hz) 220/240 VAC: 0.9 to 1.3 VA (60 Hz)

Contact Ratings

Product discontinuation Model MYJ	Recommended replacement Model MY-GS
Rated load: <u>2 pole models</u> 5 A at 220 VAC resistive load 5 A at 24 VDC resistive load 2 A at 220 VAC inductive load ($\cos \varphi = 0.4$) 2 A at 24 VDC inductive load ($L/R = 7 \text{ ms}$) <u>4 pole models</u> 3 A at 220 VAC resistive load 3 A at 24 VDC resistive load 0.8 A at 220 VAC inductive load ($\cos \varphi = 0.4$) 1.5 A at 24 VDC inductive load ($L/R = 7 \text{ ms}$)	Rated load: <u>2 pole models</u> 5 A at 220 VAC resistive load 5 A at 24 VDC resistive load 2 A at 220 VAC inductive load ($\cos \varphi = 0.4$) 2 A at 24 VDC inductive load ($L/R = 7 \text{ ms}$) <u>4 pole models</u> 3 A at 220 VAC resistive load 3 A at 24 VDC resistive load 0.8 A at 220 VAC inductive load ($\cos \varphi = 0.4$) 1.5 A at 24 VDC inductive load ($L/R = 7 \text{ ms}$)
Rated load current: 2 pole models : 5 A 4 pole models : 3 A	Rated load current: 2 pole models : 5 A 4 pole models : 3 A
Maximum contact voltage: 250 VAC, 125 VDC	Maximum contact voltage: 250 VAC, 220 VDC
Maximum contact current 2 pole models : 5 A 4 pole models : 3 A	Maximum contact current 2 pole models : 5 A 4 pole models : 3 A
Maximum switching capacity: <u>2 pole models</u> Resistive load : 1,100 VA, 120 W Inductive load : 440 VA, 48 W <u>4 pole models</u> Resistive load : 660 VA, 72 W Inductive load : 176 VA, 36 W	Maximum switching capacity: <u>2 pole models</u> Resistive load : 1,100 VA, 120 W Inductive load : 440 VA, 48 W <u>4 pole models</u> Resistive load : 660 VA, 72 W Inductive load : 176 VA, 36 W

Specifications and prices in this product news are as of the issue date and are subject to change without notice. Only main changes in specifications are described in this document. Please be sure to read the relevant catalogs, datasheets, product specifications, instructions, and manuals for precautions and necessary information when using products.