

1 Products affected

Product hierarchy no. *			Part no.	SBU	Type / Description	Customer part no.
SBU PG	PGU	Type				
02	005	017	0000001301	See list below	Power Entry Module	EF11

*SBU (2-digit) / PG (3-digit) / PGU (3-digit) / Type (10-digit)

List of part numbers affected				
EF11.0022.0010.01	EF11.0885.0010.01	EF11.2078.0010.01	EF11.2773.0010.01	EF11.3387.0010.01
EF11.0029.0010.01	EF11.0885.0012.01	EF11.2105.0010.01	EF11.2836.0010.01	EF11.3397.0010.01
EF11.0034.0010.01	EF11.1034.0010.01	EF11.2115.0010.01	EF11.2836.0013.01	EF11.3401.0010.01
EF11.0035.0010.01	EF11.1079.0010.01	EF11.2115.0012.01	EF11.2838.0010.01	EF11.3402.0010.01
EF11.0035.0012.01	EF11.1089.0010.01	EF11.2145.0014.01	EF11.2882.0010.01	EF11.3403.0010.01
EF11.0470.0010.01	EF11.1089.0012.01	EF11.2196.0010.01	EF11.3103.0010.01	EF11.3411.0010.01
EF11.0558.0010.01	EF11.1089.0013.01	EF11.2196.0012.01	EF11.3103.0012.01	EF11.3498.0010.01
EF11.0558.0012.01	EF11.1089.0014.01	EF11.2196.0013.01	EF11.3104.0010.01	EF11.3589.0010.01
EF11.0572.0010.01	EF11.1296.0010.01	EF11.2217.0013.01	EF11.3104.0012.01	EF11.3645.0010.01
EF11.0572.0012.01	EF11.1511.0010.01	EF11.2405.0010.01	EF11.3197.0010.01	EF11.3646.0010.01
EF11.0699.0010.01	EF11.1563.0014.01	EF11.2420.0010.01	EF11.3313.0010.01	EF11.3914.0010.01
EF11.0699.0012.01	EF11.1617.0010.01	EF11.2560.0010.01	EF11.3313.0013.01	EF11.3923.0010.01
EF11.0699.0013.01	EF11.1682.0010.01	EF11.2561.0010.01	EF11.3337.0010.01	EF11.4044.0010.01
EF11.0699.1013.01	EF11.1894.0010.01	EF11.2561.0012.01	EF11.3378.0013.01	

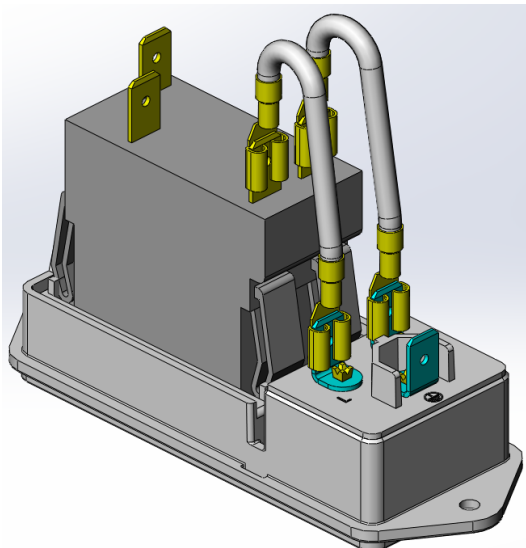
2 Type of change

New internal wiring.

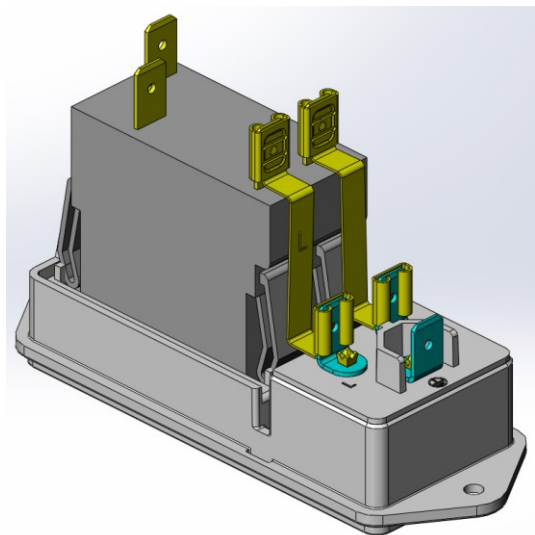
3 Detailed description of change

Stranded wire jumper between connector and circuit breaker replaced by a solid jumper.

Old version:



New version:



4 Reason of change

Reducing the installation depth and harmonization with other power entry modules with circuit breaker TA45.

EF11					0118.2262	
creation date	created by	release date	released by	notification no.	revision	page
2015-01-19	huberth	2015-08-05	huberth			1 of 2

5 Release date

The change will be rolled-out starting ww 38/2015 (Date code 1538 or higher on label) and lasts approx. 1 month depending on the variant.

6 Impact of change and recommended action

Form: Yes New connection on back side, reduced installation depth.
Fit: Yes The installation depth is reduced by approx. 20 mm.
Function: No This is a non-functional change.
Production Site: No There is no change of the production site.
Product Label: No There is no change on the label.

7 Reference Documents / Attachments

Kind of document	Document number	Remarks
Data Sheet EF11	EF11	

EF11					0118.2262	
creation date	created by	release date	released by	notification no.	revision	page
2015-01-19	huberth	2015-08-05	huberth		-	2 of 2