

1 Products affected

Product hierarchy no. *			Part no.	SBU	Type / Description	Customer part no.
SBU PG	PGU	Type				
90 004	005	0000001005	See list below	Voltage Selector	SWZ1	
90 004	011	0000001006	See list below	Voltage Selector	SWZ2	

*SBU (2-digit) / PG (3-digit) / PGU (3-digit) / Type (10-digit)

List of part numbers affected				
SWZ1				
0033.3501	0033.3502	0033.3503	0033.3504	0033.3505
0033.3506	0033.3510	0033.3510.99	0033.3512	0033.3513
0033.3514	0033.3517	0033.3518	0033.3522	0033.3523
0033.3524	0033.3525	0033.3526	0033.3527	0033.3530
0033.3531	0033.3532	0033.3533	0033.3539	0033.3544
0033.3545	0033.3547	0033.3548	0033.3549	0033.3551
0033.3552	0033.3553	0033.3554	0033.3555	0033.3557
0033.3558	0033.3560	0033.3562	0033.3563	
SWZ2				
0033.3801	0033.3802	0033.3803	0033.3804	0033.3805
0033.3806	0033.3807	0033.3808	0033.3809	0033.3811
0033.3812	0033.3814	0033.3815	0033.3817	0033.3819
0033.3828	0033.3832	0033.3833	0033.3837	0033.3839
0033.3842	0033.3843	0033.3845	0033.3846	0033.3847
0033.3848	0033.3849	0033.3850	0033.3853	

2 Type of change

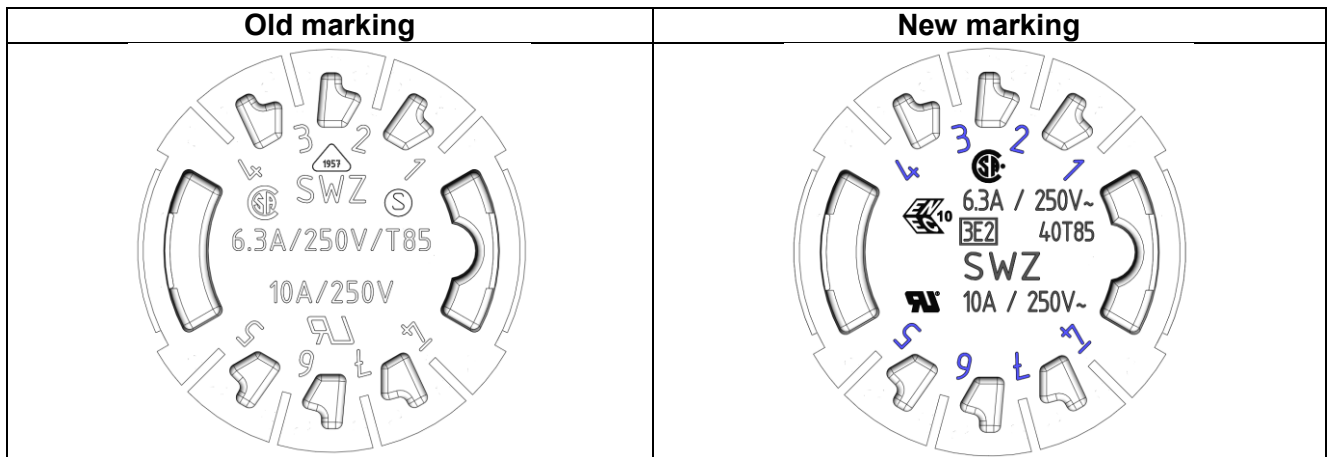
Modification of approval marks.

SWZ					0118.2288	
creation date	created by	release date	released by	notification no.	revision	page
2015-05-11	helblijo	2015-12-03	schaidro			1 of 2

3 Detailed description of change

Old marking	New marking
VDE	ENEC10
-	3E2 ¹
T85	40T85 ²
6.3/250V	6.3/250V~
10/250V	10/250V~
Semko	-

¹ 3E2 ~ Lifetime of 300 operating cycles
² 40T85 ~ Allowable Operation Temp. -40°C to 85°C



4 Reason of change

New approval mark by ENEC10
Consolidation of North American approval marks with the combined cURus mark.

5 Release date

The change will be rolled-out starting ww 13/2016 and lasts approx. 6 months depending on the variant.

6 Impact of change and recommended action

Form:	No	There are no form changes, only markings adjusted
Fit:	No	There are no dimensional changes
Function:	No	This is a non-functional change
Production Site:	No	There is no change of the production site
Product Label:	Yes	Approval mark on label changed
Customer action:	No	Notification only

7 Reference Documents / Attachments

Kind of document	Document number	Remarks
Datasheet SWZ1		
Datasheet SWZ2		

SWZ					0118.2288	
creation date	created by	release date	released by	notification no.	revision	page
2015-05-11	helbljio	2015-12-03	schaidro		-	2 of 2