

1 Products affected

Product hierarchy no. *			Part no.	SBU	Type / Description	Customer part no.
SBU PG	PGU	Type				
02 006	017	0000001601	See list below	Power Entry Module with Filter	EF12	

*SBU (2-digit) / PG (3-digit) / PGU (3-digit) / Type (10-digit)

List of part numbers affected				
EF12.0034.2110.01	EF12.0885.2110.01	EF12.1894.1110.01	EF12.2561.1110.01	EF12.3533.2110.01
EF12.0034.2210.01	EF12.0922.2110.01	EF12.1894.1210.01	EF12.2961.1110.01	EF12.3548.2110.01
EF12.0035.1110.01	EF12.0924.1210.01	EF12.2078.1110.01	EF12.3103.1210.01	EF12.3599.1110.01
EF12.0035.1210.01	EF12.1034.3110.01	EF12.2078.2110.01	EF12.3103.2110.01	EF12.3673.1210.01
EF12.0470.2110.01	EF12.1034.3210.01	EF12.2105.1110.01	EF12.3103.2210.01	EF12.3673.1211.01
EF12.0470.3110.01	EF12.1034.3211.01	EF12.2105.1111.01	EF12.3104.1110.01	EF12.3745.2110.01
EF12.0572.1110.01	EF12.1089.1110.01	EF12.2105.2110.01	EF12.3104.1210.01	EF12.3824.2210.01
EF12.0572.1210.01	EF12.1164.1110.01	EF12.2105.2210.01	EF12.3107.3110.01	EF12.3830.2110.01
EF12.0572.1211.01	EF12.1201.2110.01	EF12.2115.1110.01	EF12.3107.3210.01	EF12.3906.3210.01
EF12.0572.3110.01	EF12.1210.2110.01	EF12.2145.2110.01	EF12.3197.1110.01	EF12.3928.1210.01
EF12.0666.1210.01	EF12.1250.1110.01	EF12.2179.1110.01	EF12.3297.2110.01	EF12.4030.1210.01
EF12.0699.2110.01	EF12.1250.3110.01	EF12.2179.2111.01	EF12.3353.2110.01	EF12.4030.1211.01
EF12.0699.2210.01	EF12.1383.2110.01	EF12.2183.1110.01	EF12.3368.2110.01	EF12.4430.3110.01
EF12.0861.1110.01	EF12.1511.2110.01	EF12.2196.1110.01	EF12.3402.2110.01	
EF12.0861.2110.01	EF12.1563.2110.01	EF12.2196.1210.01	EF12.3411.1110.01	
EF12.0861.2210.01	EF12.1682.1110.01	EF12.2420.3110.01	EF12.3507.1110.01	

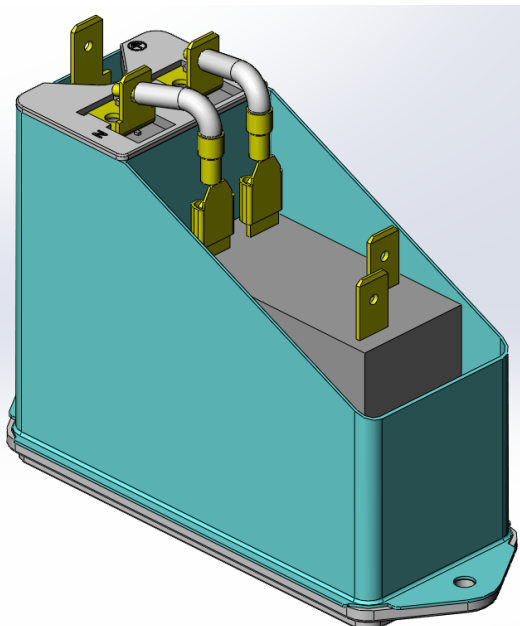
2 Type of change

New internal wiring.

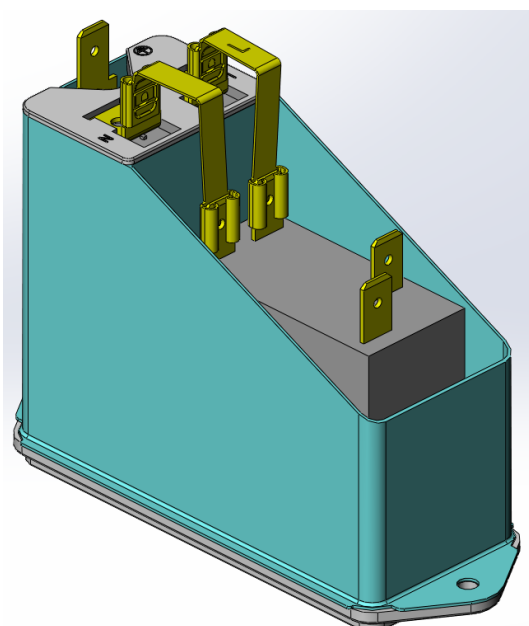
3 Detailed description of change

Soldered wire connection between filter and circuit breaker replaced by faston connection.

Old version:



New version:



EF12					0118.2264	
creation date	created by	release date	released by	notification no.	revision	page
2015-01-19	huberth	2015-08-05	huberth			1 of 2

4 Reason of change

Elimination of the critical soldering process on the quick connect terminal.

5 Release date

The change will be rolled-out starting ww 38/2015 (Date code 1538 or higher on label) and lasts approx. 6 months depending on the variant.

6 Impact of change and recommended action

Form: Yes New connection on back side, no change of outer dimensions.
Fit: No There are no dimensional changes.
Function: No This is a non-functional change.
Production Site: No There is no change of the production site.
Product Label: No There is no change on the label.

7 Reference Documents / Attachments

Kind of document	Document number	Remarks
Data Sheet EF12	EF12	

EF12					0118.2264	
creation date	created by	release date	released by	notification no.	revision	page
2015-01-19	huberth	2015-08-05	huberth			2 of 2