



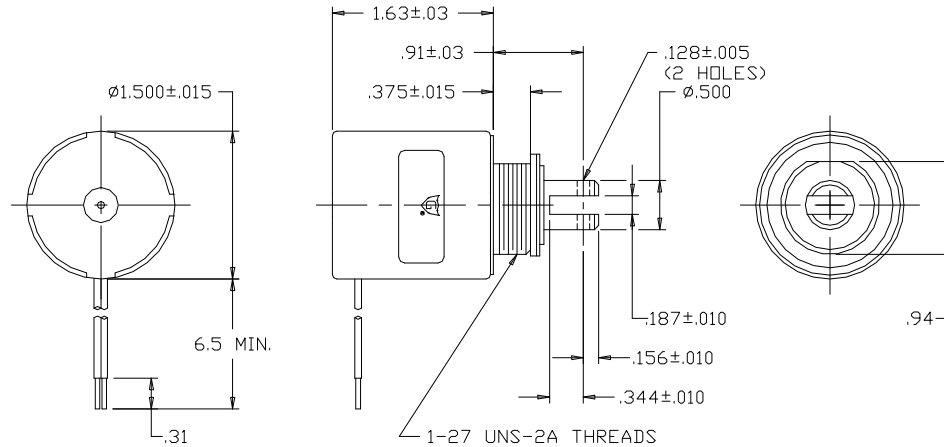
GUARDIAN Electric Manufacturing

ISO 9001 / AS9100 Certified Company

Woodstock, IL 60098 Ph. (815)334-3600 Fax (815)337-0377

Or visit us at our website www.guardian-electric.com

Model LT12 x 13 Long-Life DC Tubular Solenoid



Solenoid shown energized and fully seated.

Supplied with mounting bracket, hex nut and lockwasher (not shown).

Spring kits are available (consult factory).

Total Weight: 10.6 oz.

Plunger Weight: 1.8 oz.


Model No.	Part No.	Duty Cycle	Voltage	Resistance (Ω)	Power (W)	Current
LT12x13-I-12	A420-064859-00	Intermittent	12VDC	5.9	25.6	2.03 A
LT12x13-C-12	A420-064858-00	Continuous	12VDC	18.3	8.3	656 mA
LT12x13-I-24	A420-064861-00	Intermittent	24VDC	22	27.5	1.09 A
LT12x13-C-24	A420-064860-00	Continuous	24VDC	71.2	8.5	337 mA

When ordering, please refer to Part No., as listed above.

Consult factory for custom configurations.

Stroke (in.)	Pull Force (oz.)								Holding Force (oz.)
	0.050	0.125	0.250	0.375	0.500	0.625	0.750	1.000	
Continuous Duty	90	45	20	15	5	3	1.5	N/A	100
Intermittent Duty	160	118	67	40	20	10	7	N/A	144

UL Recognition

Recognized under the  Component Recognition Program of **Underwriters Laboratories, Inc.**

Continuous Duty

100% 'On' Time

Intermittent Duty

25% 'On' Time, (100 Seconds 'On' Max. Followed By 300 Seconds 'Off' Min.)

RoHS

These parts comply with **RoHS** Directive 2002/95/EC