

Würth Elektronik eiSos GmbH &amp; Co. KG

EMC &amp; Inductive Solutions

Max-Eyth-Straße 1 · 74638 Waldenburg · Germany

Tel. +49 (0) 79 42 945-0 · Fax +49 (0) 79 42 945-400

eiSos@we-online.de · www.we-online.de



## Product/Process Change Notice (PCN)

- Major change  
 Minor change

PCN #: WE\_LQ\_20160920

Product Affected: WE-LQ size 1812 series

PCN Date: September 20st 2016

Effective Date: December 20st 2016

Contact: Product Management

Phone: +49 (0) 7942 - 945 5001

Fax: +49 (0) 7942 - 945 5179

E-mail: pcn.eisos@we-online.de

- Product Mark  
 Date Code  
 Packaging  
 Others

Attachment:  Yes  No

Samples:

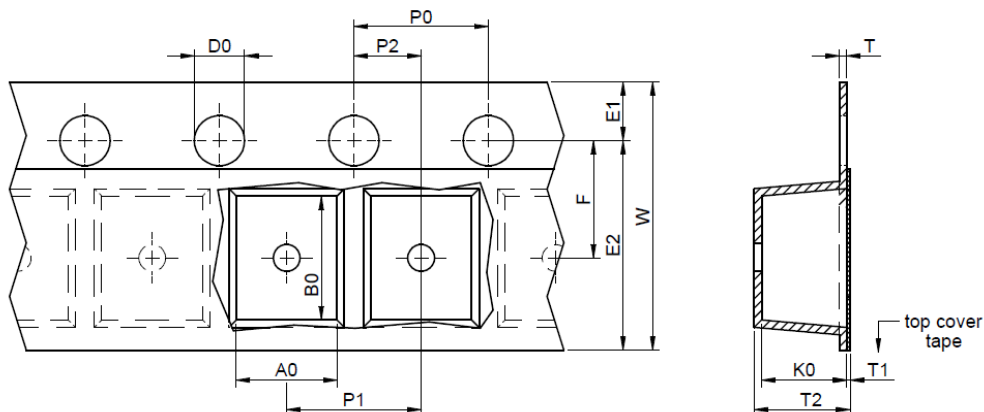
### DESCRIPTION AND PURPOSE OF CHANGE:

In order to improve the quality of transportation, the cavity of the carrier tape will be changed to reduce the movements and avoid wrong positions in the carrier tape.

### DETAIL OF CHANGE:

The dimension B0 and T2 will be change from 5.00 mm and 3.50 mm, respectively, to 4.80 mm and 3.35 mm, reducing the space at the case where the parts are located into the carrier tape.

Dimension	Before Change	After Change
B0	5.00	4.80
T2	3.50	3.35



Würth Elektronik eiSos GmbH &amp; Co. KG Sitz Waldenburg, Registergericht Stuttgart HRA 580801

Komplementär Würth Elektronik eiSos Verwaltungs-GmbH, Sitz Waldenburg, Registergericht Stuttgart HRB 581033 · Geschäftsführer Oliver Konz, Thomas Schrott

Bankverbindungen UniCredit Bank AG Stuttgart, Konto 322 620 136, BLZ 600 202 90, IBAN DE86 6002 0290 0322 6201 36, SWIFT/BIC HYVEDEMM473

USt.-IdNr. DE220618976

Würth Elektronik eiSos GmbH & Co. KG

EMC & Inductive Solutions

Max-Eyth-Straße 1 · 74638 Waldenburg · Germany

Tel. +49 (0) 79 42 945-0 · Fax +49 (0) 79 42 945-400

eiSos@we-online.de · www.we-online.de



**RELIABILITY / QUALIFICATION SUMMARY:**

Product approval is according to the specification and is internally released by the Product Management Department.

**DATA SHEET CHANGE:**

Yes

No