


Product information

ASBS 2 M12-4S-90

Industrial Connecting Solutions:Cables and Adapters:T-connectors / adaptors:M8, M12, valve plug - T-connectors/adaptors:M12-M12:T-connector, M12 male connector on two M12 female connectors:ASBS 2 M12-4S-90

<https://e-catalog.hirschmann.com:443/link/57078-24228-256254-57229-218892-219241-219304-219404/en/conf/ui/state>

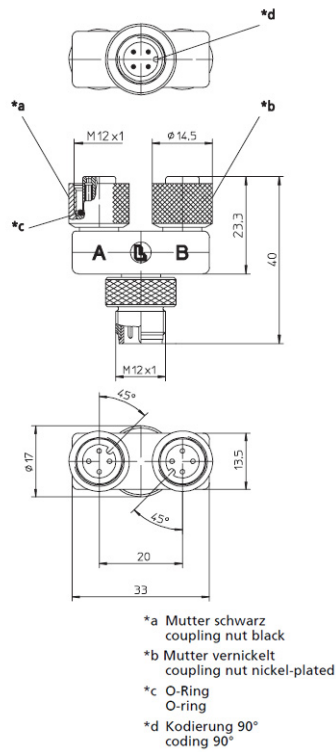
Name	ASBS 2 M12-4S-90
	
	T-connector, M12 male connector with two M12 female connectors, 4 poles, 90°-version, with self locking threaded
Delivery informations	
Availability	available
Product description	
Type	ASBS 2 M12-4S-90
Order No.	11119
Description	T-connector, M12 male connector with two M12 female connectors, 4 poles, 90°-version, with self locking threaded
Number of contacts	4
Color of housing	orange
Product characteristics	Vibration resistance, Oil resistance
Classification	
Belden brand	Lumberg-Automation
Environmental conditions	
Environmental temperature	-25 °C ... 90 °C
Degree of protection (IP), mounted	IP67
Pollution degree	3
Materials	
Housing material / Molded body	TPU, self-extinguishing
Contact bearer material	TPU, self-extinguishing
Contact material	CuZn
Contact material - Surface refinement	pre-nickel and 0.8 microns gold-plated
Knurled screw / nut material	CuZn, nickel-plated
Sealing material	FKM
Electrical data	
Contact resistance	≤ 5 mΩ
Rated current In	2 A per outlet / 4 A max. at 40 °C
Nominal voltage	240 V
Rated voltage	250 V
Test voltage	2.0 kV eff./60 s
Insulation resistance	> 1 GΩ

Industrial Connecting Solutions:Cables and Adapters:T-connectors / adaptors:M8, M12, valve plug - T-connectors/adaptors:M12-M12:T-connector, M12 male connector on two M12 female connectors:ASBS 2 M12-4S-90

<https://e-catalog.hirschmann.com:443/link/57078-24228-256254-57229-218892-219241-219304-219404/en/conf/ui/state>

Picture

Drawing



Belden Deutschland GmbH
 Im Gewerbepark 2
 58579 Schalksmühle
 Germany
 Phone: +49 7127/14-1806
 E-Mail: icos-sales@belden.com

The information published in the websites has been compiled as carefully as possible. It is subject to alteration without notice in technical as well as in price-related/commercial respect. The complete information and data were available on user documentation. Mandatory information can only be obtained by a concrete query.