




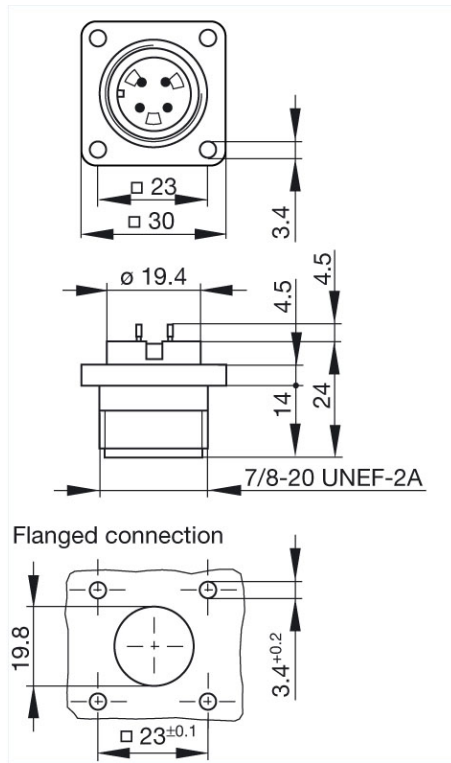
Product information CM 02 E 14S-2 P

Industrial Connecting Solutions: Circular Connectors: MIL, DIN, Universal Connectors: MIL-C-5015 or VG 95342 Connectors (CM series): Surface mounted connector: CM 02 E 14S-2 P

<https://e-catalog.hirschmann.com:443/link/57078-24228-256281-256284-24363-24365-36149/en/conf/ulistate>

Name	CM 02 E 14S-2 P
	
	Surface mounted connector, with flange, with solder bucket
Delivery informations	
Availability	available
Product description	
Description	Surface mounted connector, with flange, with solder bucket
Type	CM 02 E 14S-2 P
Order No.	932 449-100
Number of contacts	4
Conductor size	max. 1 mm ²
Standard	MIL-C 5015 bzw. VG 95 342
Housing Color	black
Technical data	
Pin dimensions	1.6 mm
Rated voltage	AC/DC 50 V
Rated current	10 A
Contact resistance	<= 5 mOhm
Type of termination	solder
Shell size	14S
Mounting	screws
Material	
Contact surface material	Ag
Contact bearer material	PA 66-GF 25
Housing material	PA 66-GF 25
Environmental conditions	
Protection class (IEC 60529)	IP 67
Pollution severity	3
Temperature range	-40 °C to +90 °C
Anbaufächentemperatur	up to 100 °C
Inflammability class	
Flammability, UL standard	94 V-1
Packing unit	
Packaging unit	100 pieces
Scope of delivery and accessories	
Scope of delivery	1 surface mounted connector
Accessories to order separately	can be plugged into CM 06 EA 14S-2 S; flat gasket CM 02 D 14S, order no. 733 321-002; cap CM 02 SD 14S, order no. 831 620-100; protective cover SHK 1, order no. 733 849-001

Picture
Drawing



Belden Deutschland GmbH
 Im Gewerbepark 2
 58579 Schalksmühle
 Germany
 Phone: +49 7127/14-1806
 E-Mail: icos-sales@belden.com

The information published in the websites has been compiled as carefully as possible. It is subject to alteration without notice in technical as well as in price-related/commercial respect. The complete information and data were available on user documentation. Mandatory information can only be obtained by a concrete query.