




## Product information ELKA 4012 PG7 transparent/topas

Industrial Connecting Solutions: Circular Connectors: M8 - M12 Connectors: M12 Connectors: M12 Circular connector (M12 E-Series): with screw locking: Straight cable socket, self-assembled: ELKA 4012

PG7 transparent/topas

<https://www.e-catalog.beldensolutions.com:443/link/57078-24228-256281-256292-256304-24445-24446-24261-36382/en/conf/ui/state>

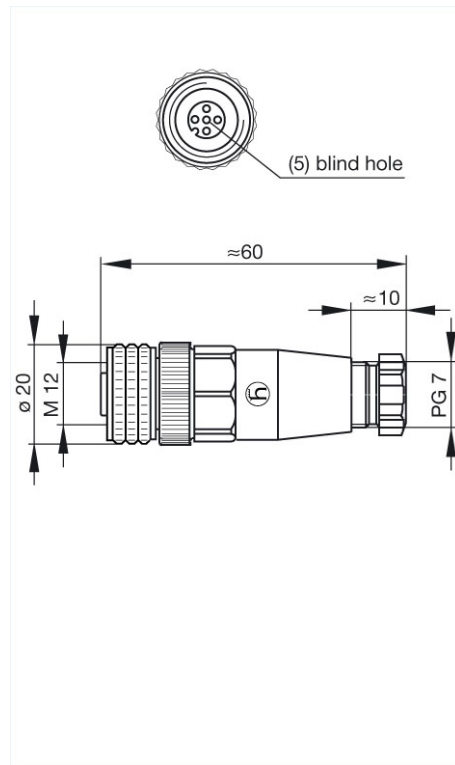
|  |  |
|--|--|
| Name                                     | ELKA 4012 PG7 transparent/topas  |
|  |   |
|  | Straight cable socket, unassembled, strain relief by means of clamping cage, electronic insert (LED display) may be fitted |
| <b>Delivery informations</b>             |  |
| Availability                             | available  |
| <b>Product description</b>               |  |
| Description                              | Straight cable socket, unassembled, strain relief by means of clamping cage, electronic insert (LED display) may be fitted |
| Type                                     | ELKA 4012 PG7 transparent/topas  |
| Order No.                                | 933 210-199  |
| Type of contact                          | female   |
| Number of contacts                       | 4  |
| Cable gland                              | PG 7   |
| Standard                                 | IEC 61076-2-101 (Ed. 1)/ IEC 60947-5-2   |
| Housing Color                            | transparent  |
| <b>Technical data</b>                    |  |
| Rated voltage                            | AC/DC 250 V  |
| Rated current                            | 4 A  |
| Type of termination                      | screw  |
| Suitable cables                          | diameter 4 mm to 6 mm, max. 0.75 mm <sup>2</sup>   |
| <b>Material</b>                          |  |
| Contact material                         | Cu Zn  |
| Contact surface material                 | Sn   |
| Contact bearer material                  | PA   |
| Housing material                         | PA   |
| Coupling nut material                    | Zn Al/Ni   |
| O-Ring                                   | NBR  |
| <b>Environmental conditions</b>          |  |
| Protection class (IEC 60529)             | IP 67  |
| Pollution severity                       | 3  |
| Temperature range                        | -25 °C to +90 °C   |
| <b>Inflammability class</b>              |  |
| Housing                                  | 94 V-2   |
| Contact bearer                           | 94 V-2   |
| <b>Packing unit</b>                      |  |
| Packaging unit                           | 100 pieces   |
| <b>Scope of delivery and accessories</b> |  |
| Accessories to order separately          | protective cap M12 VS,<br>order no. 734 209-100;<br>LED insert E 2 LED PNP,<br>order no. 933 405-001                       |

Industrial Connecting Solutions: Circular Connectors: M8 - M12 Connectors: M12 Connectors: M12 Circular connector (M12 E-Series)-with screw locking: Straight cable socket, self-assembled: ELKA 4012  
PG7 transparent/topas

<https://www.e-catalog.beldensolutions.com:443/link/57078-24228-256281-256292-256304-24445-24446-24261-36382/en/conf/ui/state>

Picture

Drawing



**Belden Deutschland GmbH**

Im Gewerbepark 2  
58579 Schalksmühle  
Germany  
Phone: +49 7127/14-1806  
E-Mail: [icos-sales@belden.com](mailto:icos-sales@belden.com)

The information published in the websites has been compiled as carefully as possible. It is subject to alteration without notice in technical as well as in price-related/commercial respect. The complete information and data were available on user documentation. Mandatory information can only be obtained by a concrete query.