

0.5 Nm 2.7 Watts Part number 82514015


Mechanical strength: 0.5 Nm
 Constant speed, dependent on supply frequency
 Wide range of speeds available
 Direction of rotation controlled by dephasing capacitor
 Permanent magnet rotor
 UL, CSA, VDE approved, comply with IEC standards

Part numbers

	Type	Type	Direction of rotation	Output speed	Ratios (i)	Voltage / Frequency
82 514 015	2.7 Watts	82 514 0	2 Sen	300 rpm	150	115Vac 60 Hz

Specifications

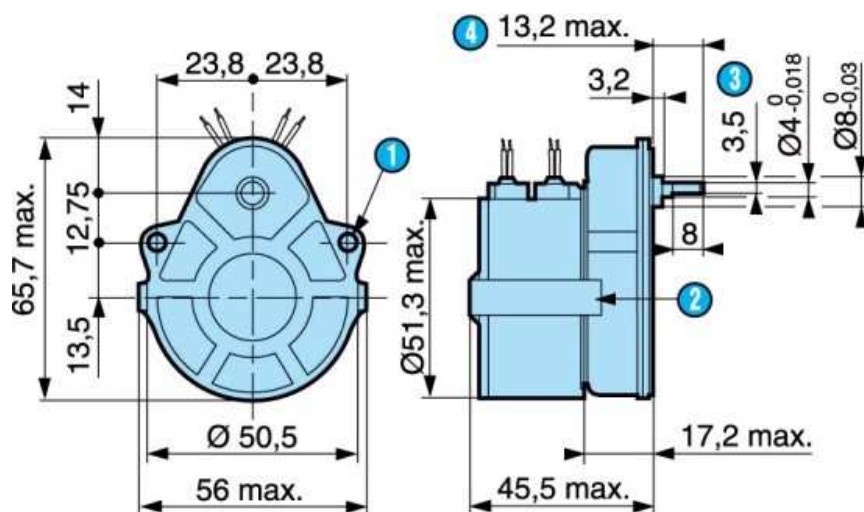
Motor	82 510 0
Gearbox	81 021 0
Maximum permitted continuous rated gearbox output torque for 1 million revolutions of gearbox output shaft (Nm)	0.5
Axial load static (daN)	1
Radial load static (daN)	8
Absorbed power (W)	2,7
Motor output (W)	0,31
Maximum temperature rise (°C)	50
Ambient temperature (°C)	-5 → +70
Weight (g)	140
Wires length mm (approximately)	250
Protection rating	IP40

Accessories

Voltages/Frequencies	µF	V AC	Code
115 V - 50/60 Hz	0,27 ± 10 %	250	26 231 851

Dimensions (mm)

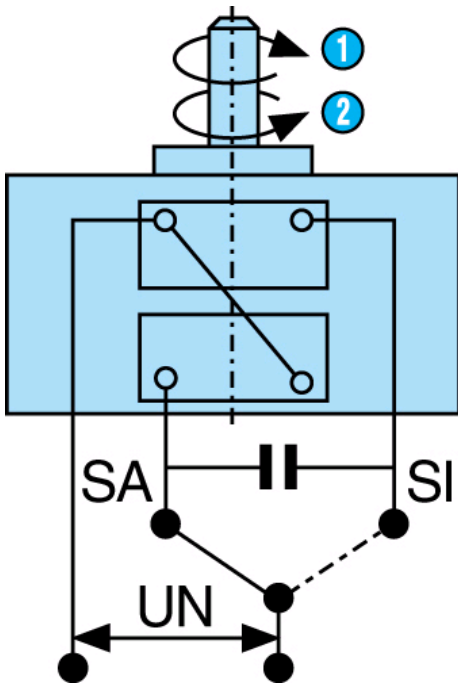
82 510 0



N°	Legend
①	2 fixing holes Ø 3.2
②	Fixing clip
③	3.5 across flat
④	pushed-in shaft

Connections

In parallel
Motors 82 510 0



N°	Legend
1	SA: Clockwise
2	SI: Anti-clockwise

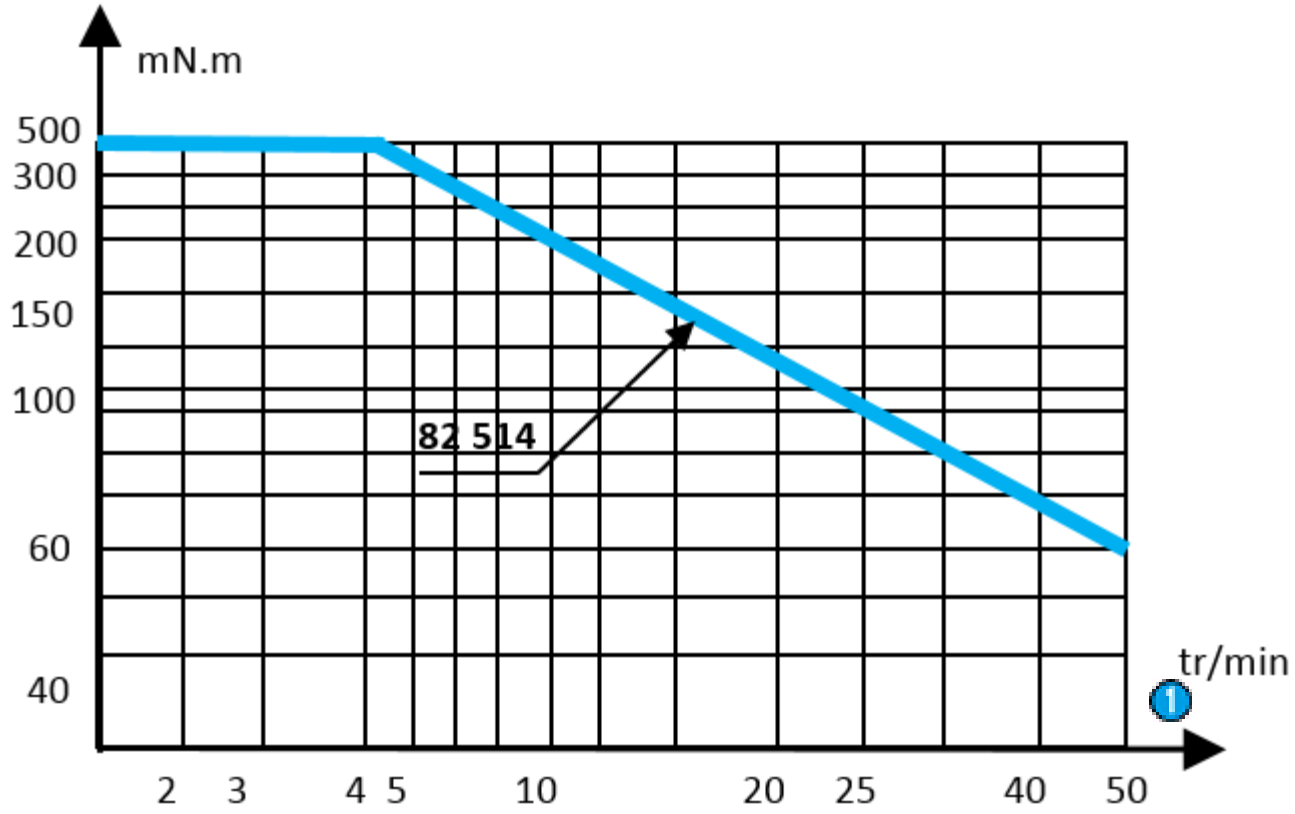
Product adaptations



- Different voltages available
- Pinion on output shaft
- Special output shafts
- Special cable lengths
- Special output bearings
- Special mounting plate
- Special connectors

Curves

Graph of torque versus speed 82 514 0



N°	Legend
1	RPM