

# Prestigio



## Car Video Recorder

RoadRunner 506 | 506GPS  
RoadRunner 507 | 507GPS

## User Manual

Version 1.0

[www.prestigio.com](http://www.prestigio.com)

## About this user manual

This user manual is specially designed to detail the device's functions and features.

- Please read this manual before using the device to ensure safe and proper use.
- Descriptions are based on the device's default settings.
- Prestigio continuously strives to improve its products. Due to software upgrading, some contents in this user manual may be different from your product. Prestigio reserves the rights to revise this user manual or withdraw it at any time without prior notice. Please take your product as standard.

## Conventions used in this manual

In this user manual, we use the following symbols to indicate useful and important information:



**Caution:** provides safety precaution and important information.



**Note:** gives additional information.



**Tips:** usage tips.

- > The order of options or menus you must select to perform a step.

### Note:

*The italicized text in this manual is only for RoadRunner 506GPS / 507 GPS.*

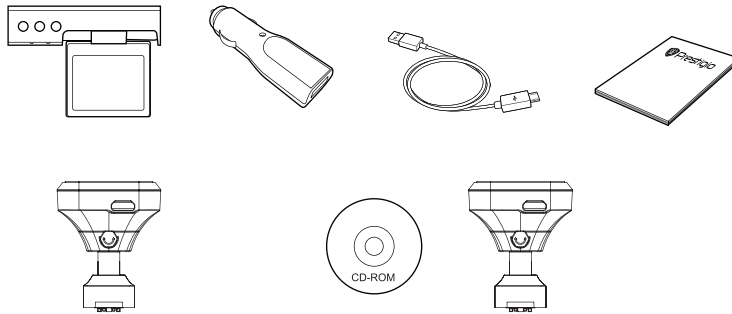
# Contents

<b>1. Unboxing .....</b>	<b>1</b>
Inside your package .....	1
Device overview .....	1
<b>2. Getting started .....</b>	<b>2</b>
Insert the battery .....	2
Insert a microSD card .....	2
Install the suction mount .....	2
Charge the battery .....	2
<b>3. Settings .....</b>	<b>4</b>
Video settings .....	4
Picture settings .....	4
General settings .....	4
<b>4. Recording .....</b>	<b>5</b>
Record a video .....	5
Take a picture .....	5
<b>5. File management .....</b>	<b>5</b>
Browse files .....	5
Delete a file .....	5
Lock and unlock a file .....	5
<b>6. Playback .....</b>	<b>6</b>
Play video on DVR .....	6
Playback on PC .....	6
<b>7. Specifications .....</b>	<b>6</b>

# 1. Unboxing



## Inside your package

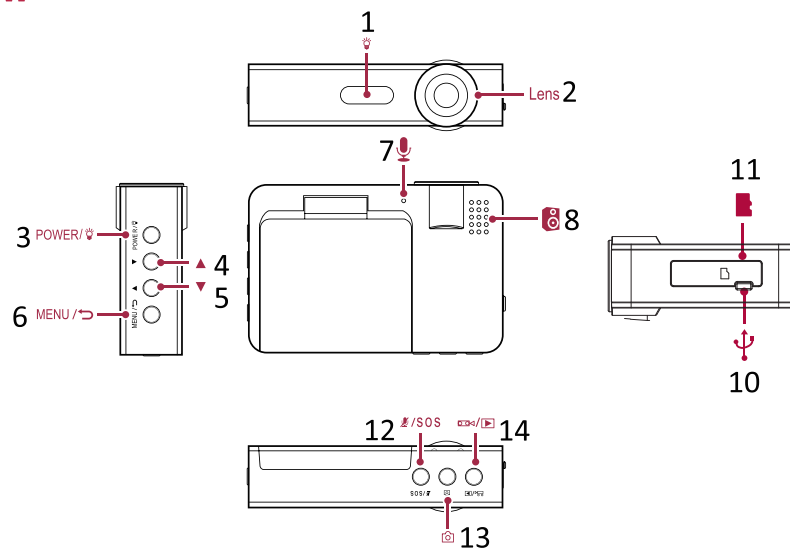


RoadRunner 506GPS | 507GPS

Car Video Recorder  
Car Charger  
USB Cable  
Magnetic Cradle

*CD (for GPS version only)*  
Quick Start Guide  
Warranty Card

## Device overview



- |                             |                              |
|-----------------------------|------------------------------|
| 1 Infrared light            | 8 Speaker                    |
| 2 Lens                      | 10 Mini USB port             |
| 3 Power button/light button | 11 SD card slot              |
| 4 Up button                 | 12 Microphone button/SOS     |
| 5 Down button               | 13 Photo button              |
| 6 Menu button/Exit          | 14 Record/Playback/OK button |
| 7 Microphone                |                              |

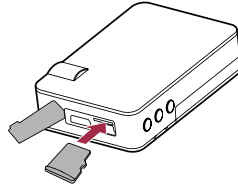


## 2. Getting started

# 2

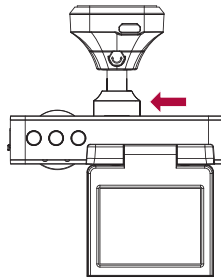
### Insert a microSD card

Before starting video recording, please insert a microSD card (not included) into the slot until it locks in place.



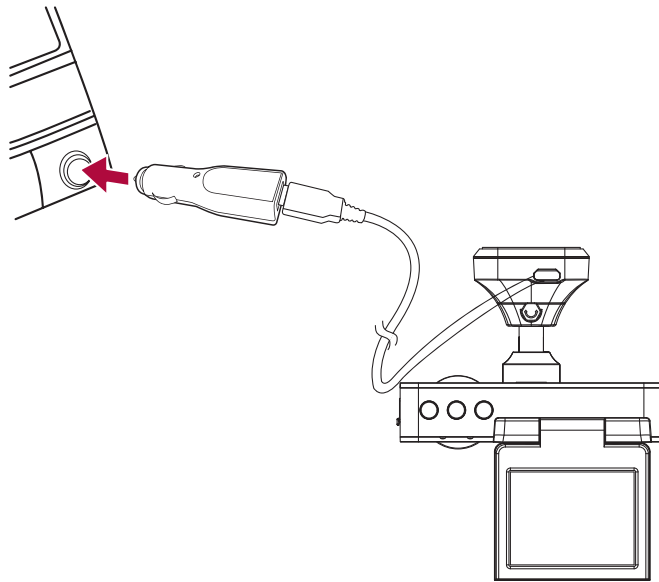
The device will automatically recognize it as default storage and all the data will be saved on this card.

### Install the Magnetic Cradle



### Charge the battery

Before using the device for the first time, please fully charge the Li-ion battery. The battery will be completely charged in 2-3 hours.



- Using the car charger: charge the device through cigarette lighter. The device will start charging after the car engine is turned on. *The GPS receiver is built in the magnetic cradle.* Please connect the car charger to the micro USB port on the cradle.
- Using USB cable: connect the device to AC 5V adapter or the USB port of a computer/ laptop.

# 3. Settings



Before recording, you can set up the device according to your requirements.

- In video/picture preview mode, press [MENU] to enter video/picture settings, press it again to go to general settings, press it third time to exit.
- In setting list, use [▲]/[▼] to navigate the menu, press [Enter/▶] to confirm the selection, and [MENU] to exit.

---

## Video settings

- **Resolution:** Select the resolution of recorded video: 1920x1080p 25fps, 1440x1080i 30fps, 1280x720p 50fps, 1280x720p 30fps.
- **Loop recording:** Set the video duration (1, 2, 3, 5, 10 minutes or off) for loop recording. When the microSD card is full, the device will delete the oldest unlocked video file automatically.
- **Exposure:** Set exposure value to determine how much light the camera's sensor receives. For lowlight situations, use a higher exposure.
- **Motion detection:** Turn on or off motion detection. If there is any motion detected while the car engine is stopped, your car DVR will start recording automatically.
- **Record audio:** Set to record sound or not.
- **Date stamp:** Add date stamp onto videos.
- **GPS stamp:** Add information stamp to video/photos
- **Speed stamp:** choose the speed measurement km/h or MPH
- **G sensor:** Select the sensitivity of the G-sensor.

---

## Picture settings


- **Capture mode:** Select the capture mode from Single/ 2S Timer/5S Timer/10S Timer.
- **Resolution:** Select the picture image size from 12M / 4032x3024, 10M 3648x2736, 8M / 3264x2448, 5M / 2592x1944, 3M / 2048x1536, 2MHD / 1920x1080, VGA / 640x480, 1.3M / 1280x960.
- **Sequence:** Select to turn the burst on or off. In burst mode, several photos are captured in quick succession. This is used mainly when the subject is in successive motion, such as sports.
- **Quality:** Select quality from Fine / Normal / Economy.
- **Sharpness:** Adjust the sharpness.
- **White balance:** Select an appropriate white balance, so images have a true-to-life color range. It is for specific lighting situations.
- **Color:** Select color from normal / black & white / sepia.
- **ISO:** This controls camera light sensitivity. It is measured in filmcamera equivalents. Low values are for stationary or brightly-lit objects. Higher values are for fast-moving or poorly-lit objects.
- **Exposure:** Set exposure value to determine how much light the camera's sensor receives. For lowlight situations, use a higher exposure.
- **Date stamp:** Add date and time stamp onto photos.

---

## General settings

In preview mode, double press [MENU] twice to enter general settings.

- **Time Zone:** Select the local GMT (Greenwich Mean Time)
- **Date/Time:** Set date and time on device.
- **Auto power off:** Set automatic power off when the device is not in use.
- **Beep sound:** Turn on or off the sound when pressing buttons.
- **Language:** Choose your language.
- **TV mode:** Select from PAL and NTSC.

- **Frequency:** For a given luminance, the frequency of light fluctuation that evokes a sensation of flicker. Set a right flickering frequency to avoid horizontal stripe interference.
- **LCD off:** Set automatic LCD off when the device is not in use, press any button to wake up.
- **Format:** Format the memory card.  
 Formatting will erase all your stored data. Back up your data before proceeding.
- **Default setting:** Restore to default setting.
- **Version:** Display the current system version.

# 4

## 4. Recording

### Record a video

#### Auto video recording

Connect the device to car charger, when the car engine launches, the device will automatically turn on and start loop video recording. When shut off the car engine, the device will save the last file and turn off.

#### Manual video recording

In preview mode, press [/▶] button to start and stop video recording.

#### Record the sound

In preview mode or recording mode, press [/SOS] to turn on or off microphone.

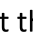

#### Turn on the infrared light

When recording video in night, press power button to turn on light.

#### Zoom in or out

In preview mode or recording mode, press [▲]/[▼] to zoom in or zoom out.

### Take a picture

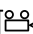
- Press [] to select the picture mode, and then press [] to take photos.

## 5. File management

# 5

You can manage your videos and pictures in playback mode.

### Browse files

1. In preview mode, press and hold [] to enter the playback mode.
2. Press [▲]/[▼] to scroll through the files.

### Delete a file

Press [MENU] to delete one file or all the files, and press [] to confirm the deletion.



To delete a protected file, remove the protection first.

### Lock and unlock a file

Press [MENU] to protect or unprotect the selected file or all.

# 6. Playback

# 6

## Play video on DVR

1. In playback mode, press [▲]/[▼] to scroll through the files.
2. Press [⏪]/[▶] to start playback.
3. Press [▲]/[▼] to slow down or speed up playing.

## Playback on PC

Remove memory card from DVR and insert it into computer's card reader.



DVR's USB port is for charging purpose only.

## Playback on GPS video player

1. Remove memory card from DVR and insert it into Computer's card reader.  
--DVR's USB port is for charging purpose only.
2. Find your files in memory card.
3. Install the "Player.exe" stored on the included CD-ROM to your PC.
4. Open the player, select the file and start playback.
5. It will show your video and tracks.



# 7. Specifications

<b>Display</b>	2.0", 480 x 240 pixels
<b>Processor</b>	NT96223
<b>Image sensor</b>	2.0 MP, CMOS Sensor
<b>View angle</b>	120°
<b>Video resolution</b>	1920x1080p (25 fps) 10 GB/Hour 1440x1080p (30 fps) 12 GB/Hour 1280x720p (30 fps) 8 GB/Hour
<b>Photo resolution</b>	12.0/10.0/8.0/5.0 M
<b>Video codec</b>	AVI
<b>Picture format</b>	JPG
<b>Memory</b>	up to 32 GB (high-speed micro SD card recommended, SDHC)
<b>Microphone</b>	Built-in
<b>Motion Detection</b>	Yes
<b>G-sensor</b>	yes
<b>GPS</b>	Optional (for GPS model only)
<b>Power source</b>	Rechargeable battery, car charger
<b>Interfaces</b>	Micro USB 2.0 (for charging only)
<b>Operating temperature</b>	0 °C ~ 45°C
<b>Dimension</b>	82 x 55 x 20 mm (H x W x D)
<b>Weight</b>	90 g