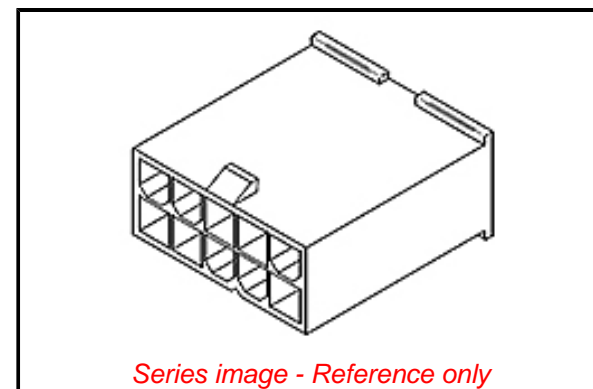


PLEASE CHECK WWW.MOLEX.COM FOR LATEST PART INFORMATION

Part Number: [0039013063](#)
Status: **Active**
Overview: [Mini-Fit Jr.™ Power Connectors](#)
Description: [Mini-Fit Jr.™ Plug Housing, Dual Row, 6 Circuits, UL 94V-2, without Panel Mounting Ears, Natural](#)

Documents:

3D Model	Product Specification TS-5556-002 (PDF)
Drawing (PDF)	Packaging Specification PK-5559-002 (PDF)
Product Specification PS-45750-001 (PDF)	RoHS Certificate of Compliance (PDF)
Product Specification PS-5556-001 (PDF)	



Agency Certification

CSA	LR19980
UL	E29179

General

Product Family	Crimp Housings
Series	5559
Application	Power, Wire-to-Board, Wire-to-Wire
Comments	Current = 13A max. per circuit when header is mated to a receptacle loaded with 45750 series terminals crimped to 16 AWG wire. . See Molex product specification PS-45750-001 for additional current derating information.
MolexKits	Yes
Overview	Mini-Fit Jr.™ Power Connectors
Product Name	Mini-Fit Jr.™
UPC	800753726659

Physical

Breakaway	No
Circuits (maximum)	6
Color - Resin	Natural
Flammability	94V-2
Gender	Plug
Glow-Wire Compliant	No
Keying to Mating Part	None
Lock to Mating Part	Yes
Material - Resin	Nylon
Net Weight	1.920/g
Number of Rows	2
Packaging Type	Bag
Panel Mount	No
Pitch - Mating Interface	4.20mm
Pitch - Termination Interface	4.20mm
Polarized to Mating Part	Yes
Stackable	No
Temperature Range - Operating	-40°C to +105°C

Electrical

Current - Maximum per Contact	13.0A
-------------------------------	-------

Solder Process Data

Lead-freeProcess Capability	N/A
-----------------------------	-----

Material Info

Engineering Number	5559-06P1
--------------------	-----------

EU ELV

Compliant

EU RoHS

Compliant

REACH SVHC

Not Contained Per - ED/21/2016 (20 June 2016)

Halogen-Free

Status

Low-Halogen

Need more information on product environmental compliance?

Email productcompliance@molex.com
Please visit the [Contact Us](#) section for any non-product compliance questions.

China ROHS	Green Image
ELV	Compliant
RoHS Phthalates	Not Contained

Search Parts in this Series

[5559](#) Series

Mates With

Receptacle Housing [39-01-2060](#)
Mini-Fit Jr.™ TPA Cable Assembly [45135](#)

Mini-Fit Jr.™ Cable Assembly [245135](#)

Use With

[5558](#) Mini-Fit Jr.™ Male Crimp Terminals.
[30490](#) Mini-Fit® Male Grounding Crimp Terminals

Reference - Drawing Numbers

Packaging Specification

Product Specification

Sales Drawing

PK-5559-002

PS-45750-001, PS-5556-001, TS-5556-002

SD-5559-NP1*

This document was generated on 10/14/2016

PLEASE CHECK WWW.MOLEX.COM FOR LATEST PART INFORMATION