

**PLEASE CHECK WWW.MOLEX.COM FOR LATEST PART INFORMATION**

**Part Number:** [0003091081](#)  
**Status:** **Active**  
**Overview:** Standard .093" Pin and Socket Connectors  
**Description:** 2.36mm Diameter Standard .093" Pin and Socket Receptacle Housing, 3 Circuits, Single Row

**Documents:**

<a href="#">3D Model</a>	<a href="#">Product Specification PS-43660-9999 (PDF)</a>
<a href="#">Drawing (PDF)</a>	<a href="#">Packaging Specification PK-1396-002 (PDF)</a>
<a href="#">Product Specification PS-02-09 (PDF)</a>	<a href="#">RoHS Certificate of Compliance (PDF)</a>

**Agency Certification**

CSA	LR19980
UL	E29179

**General**

Product Family	Crimp Housings
Series	<a href="#">1396</a>
Application	Power, Wire-to-Wire
Comments	17.0A max. can be achieved when housing is used with 42477 or 42478 terminals
MolexKits	Yes
Overview	<a href="#">Standard .093" Pin and Socket Connectors</a>
Product Name	Standard .093"
UPC	800754942409

**Physical**

Circuits (maximum)	3
Color - Resin	Natural
Flammability	94V-2
Gender	Receptacle
Glow-Wire Compliant	No
Material - Resin	Nylon
Net Weight	1.880/g
Number of Rows	1
Packaging Type	Bag
Panel Mount	Yes
Pitch - Mating Interface	5.03mm
Stackable	No
Temperature Range - Operating	-40°C to +105°C

**Electrical**

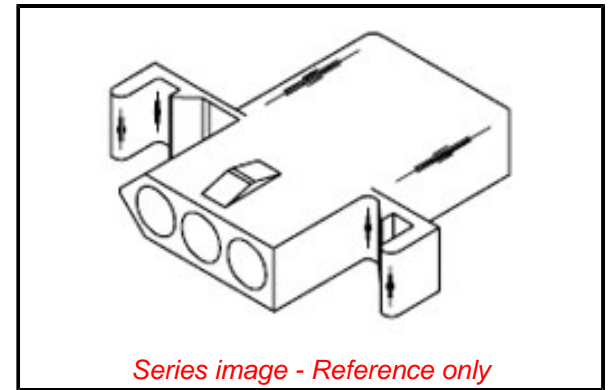
Current - Maximum per Contact	14.0A
-------------------------------	-------

**Material Info**

Engineering Number	1396-R4
--------------------	---------

**Reference - Drawing Numbers**

Packaging Specification	PK-1396-002
Product Specification	PS-02-09, PS-43660-9999
Sales Drawing	SD-1396-*, SD-1396-001



**EU ELV**

**Not Relevant**

**EU RoHS**

**Compliant**

**REACH SVHC**

Not Contained Per - ED/21/2016 (20 June 2016)

**Halogen-Free**

**Status**

**Low-Halogen**

**Need more information on product environmental compliance?**

Email [productcompliance@molex.com](mailto:productcompliance@molex.com)  
Please visit the [Contact Us](#) section for any non-product compliance questions.

China ROHS

ELV

RoHS Phthalates

Green Image

Not Relevant

Not Contained

**Search Parts in this Series**

[1396 Series](#)

**Mates With**

[03-09-2032](#) , [03-09-7032](#) , [3099](#)

**Use With**

[1189](#) Crimp Terminals, [1190](#) Crimp Terminals, [1376](#) Male PC Tail Terminals, [1377](#) Female PC Tail Terminals, [1380](#) Male Crimp Terminals, [1381](#) Female Crimp Terminals, [1433](#) Crimp Terminals, [1434](#) Male Crimp Terminals, [1973](#)