

**PLEASE CHECK WWW.MOLEX.COM FOR LATEST PART INFORMATION**

**Part Number:** [0522660211](#)  
**Status:** **Active**  
**Overview:** Mizu-P25™ Miniature Waterproof Connectors  
**Description:** Mizu-P25™ 2.50mm Pitch Waterproof Wire-to-Wire Plug Housing, 2 Circuits

**Documents:**

<a href="#">3D Model</a>	<a href="#">Application Specification AS-52213-001-JP (PDF)</a>
<a href="#">Drawing (PDF)</a>	<a href="#">Packaging Specification PK-52266-001 (PDF)</a>
<a href="#">Product Specification PS-52213-003 (PDF)</a>	<a href="#">RoHS Certificate of Compliance (PDF)</a>
<a href="#">Application Specification AS-52213-001 (PDF)</a>	

**Agency Certification**

UL E29179

**General**

Product Family	Crimp Housings
Series	52266
Application	Signal, Wire-to-Wire
Application Tooling Part Link	57147-6000
Application Tooling Part Link	57170-6000
Application Tooling Part Link	62202-4400
Comments	See Product Specification for maximum current rating by wire A
MolexKits	Yes
Overview	<a href="#">Mizu-P25™ Miniature Waterproof Connectors</a>
Product Name	Mizu-P25™ Waterproof, Splash Proof
UPC	800754378765

**Physical**

Circuits (maximum)	2
Color - Resin	Black
Flammability	94V-0
Gender	Male
Glow-Wire Compliant	No
Lock to Mating Part	Yes
Material - Resin	Polyester
Net Weight	852.700/mg
Number of Rows	1
Packaging Type	Tray
Panel Mount	No
Pitch - Mating Interface	2.50mm
Stackable	No
Temperature Range - Operating	-40°C to +105°C

**Electrical**

Current - Maximum per Contact 4.0A

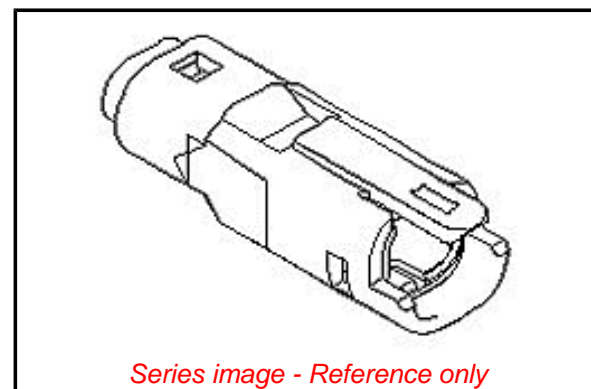
**Solder Process Data**

Lead-freeProcess Capability N/A

**Material Info**

**Reference - Drawing Numbers**

Application Specification	AS-52213-001, AS-52213-001-JP
Packaging Specification	PK-52266-001
Product Specification	PS-52213-003, RPS-52213-001, RPS-52213-002, RPS-52266-001
Sales Drawing	SD-52266-003



**EU ELV**

**Compliant**

**EU RoHS**

**Compliant**

**REACH SVHC**

Not Contained Per - ED/21/2016 (20 June 2016)

**Halogen-Free**

**Status**

**Not Low-Halogen**

**Need more information on product environmental compliance?**

Email [productcompliance@molex.com](mailto:productcompliance@molex.com)  
Please visit the [Contact Us](#) section for any non-product compliance questions.

China ROHS

ELV

Green Image

Compliant

**Search Parts in this Series**

[52266 Series](#)

**Mates With**

[52213 Mizu-P25™ 2.50mm Pitch Waterproof Wire-to-Wire Receptacle Housing](#)

**Use With**

[50147 Mizu-P25™ Crimp Terminal](#)

**Application Tooling | FAQ**

*Tooling specifications and manuals are found by selecting the products below. Crimp Height Specifications are then contained in the Application Tooling Specification document.*

**Global**

**Description**

**Product #**

Sealing Cap Hand Tool	<a href="#">0622024400</a>
-----------------------	----------------------------

**Japan**

**Description**

**Product #**

Sealing Cap

0571476000

Attachment Tool

This document was generated on 09/22/2016

**PLEASE CHECK [WWW.MOLEX.COM](http://WWW.MOLEX.COM) FOR LATEST PART INFORMATION**