

XMLP010BC21V

pressure transmitter - XMLP - 10bars - G1/4A
male - 4..20mA - DIN - set of 1



Main

| | |
|---------------------------|--|
| Range of product | OsiSense XM |
| Product or component type | Electronic pressure sensors |
| Pressure sensor type | Pressure transmitter |
| Pressure sensor name | XMLP |
| Electrical circuit type | Control circuit |
| Pressure sensor size | 10 bar |
| Local display | Without |
| Controlled fluid | Air -20...120 °C Fresh water 0...120 °C Hydraulic oil -20...120 °C Gas -20...120 °C Refrigeration fluid -20...120 °C |
| Fluid connection type | G 1/4A (male) conforming to DIN 3852-E |
| Electrical connection | 1 male connector EN 175301-803-A (ex DIN43650) 3 pins |
| [Us] rated supply voltage | 12...24 V DC SELV, voltage limits: 8...30 V |
| Current consumption | < 20 mA |
| Type of output signal | Analogue |
| Analogue output function | 4...20 mA, 2-wire |
| Quantity per set | Set of 1 |
| Type of packing | Individual |

Complementary

| | |
|---|---|
| Pressure setting range | 0...10 bar |
| Maximum permissible accidental pressure | 20 bar |
| Destruction pressure | 100 bar |
| Materials in contact with fluid | Stainless steel type 17-4PH Stainless steel type AISI 304 Fluorocarbon FKM (Viton) |
| Operating position | Any position |
| Protection type | Load short-circuit Reverse polarity |
| Electromagnetic compatibility | Susceptibility to electromagnetic fields conforming to EN/IEC 61000-4-3 - test level 10 V/m (f = 80...1000 MHz) Electrical fast transient/burst immunity test conforming to EN/IEC 61000-4-4 - test level 2 kV 1.2/50 µs shock waves immunity test conforming to EN/IEC 61000-4-5 - test level 500 V 12 Ohm, 1 kV 42 Ohm Radiated RF fields conforming to EN/IEC 61000-4-6 - test level 10 V (f = 0.15...80 MHz) Electrostatic discharge immunity test conforming to EN/IEC 61000-4-2 - test level 8 kV air, 4 kV contact |
| [Uimp] rated impulse withstand voltage | 0.5 kV |
| Response time on output | < 5 ms |
| Measurement accuracy | +/- 0.5 % of the measuring range |
| Repeat accuracy | +/- 0.1 % of the measuring range |
| Mechanical durability | >= 10000000 cycles |
| Product weight | 0.05 kg |
| Diameter | 30 mm |
| Length | 25 mm |

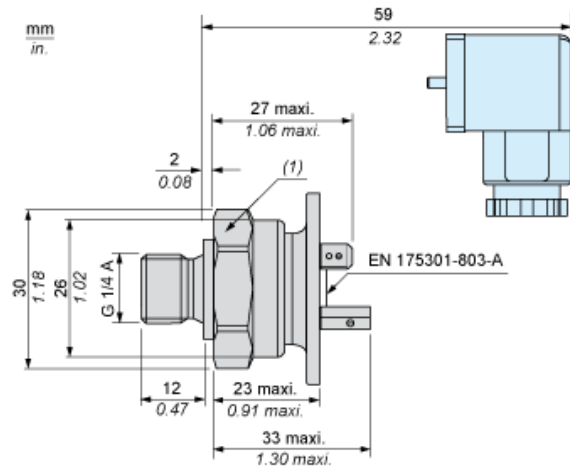
Environment

| | |
|---------------------------------------|--|
| Standards | CE EN/IEC 61326-1 |
| Product certifications | CULus RCM EAC |
| Protective treatment | TC |
| Ambient air temperature for operation | -30...100 °C |
| Ambient air temperature for storage | -30...100 °C |
| Vibration resistance | 20 gn (f = 10...2000 Hz) conforming to EN/IEC 60068-2-64 |
| Shock resistance | 25 gn for 11 ms conforming to EN/IEC 60068-2-27 |
| IP degree of protection | IP65 conforming to EN/IEC 60529 |

Offer Sustainability

| | |
|--------------------------|---|
| Sustainable offer status | Not Green Premium product |
| RoHS (date code: YYWW) | Compliant - since 1136 - Schneider Electric declaration of conformity |

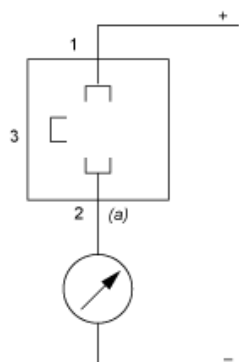
Dimensions



(1) SW27 Tightening torque ≤ 25 Nm / 221 Lb-in

Wiring Diagram

2-Wire Technique (4-20 mA)



(a) I_{out}

Curves

