

## PARATHOM PAR16 80 36° 6.9 W/840 GU10

PARATHOM PAR16 | LED reflector lamps PAR16 with retrofit pin base



### Areas of application

- Spotlighting for accents
- Display cabinets and shop windows
- Retail outlets and exhibition rooms
- Spotlighting heat-sensitive objects such as food, plants, etc.
- Outdoor applications only in suitable luminaires
- Directional light sources
- Hospitality
- Shops

### Product benefits

- Excellent price/performance ratio
- Very low energy consumption
- Extremely long life
- Robust against vibrations
- No UV and near-IR radiation in the light beam
- Professional thermal management
- Efficient generation of white light
- Alternative to line-voltage halogen lamps
- Ideal for economical spotlighting

### Product features

- Professional LED lamps for line voltage
- Not dimmable
- Good color rendering ( $R_a \geq 80$ ) and color stability throughout the life of the lamp
- Base: GU10
- Lifetime: up to 15,000 h



## Product datasheet

- Mercury-free lamps
- High color consistency

---

Technical data

**Electrical data**

Rated wattage	6.90 W
Nominal wattage	6.90 W
Nominal voltage	220...240 V
Claimed equiv. conventional lamp power	80 W
Operating frequency	50...60 Hz
Power factor $\lambda$	0.58

**Photometrical data**

Luminous intensity	1439 cd
Nominal luminous flux	575 lm
Rated luminous flux	575 lm
Color temperature	4000 K
Color rendering index Ra	$\geq 80$
Light color (designation)	Cool White
Standard deviation of color matching	$\leq 6$ sdcM
Nominal useful luminous flux 90°	575 lm
Rated useful luminous flux 90°	575 lm
Rated peak intensity	1439 cd

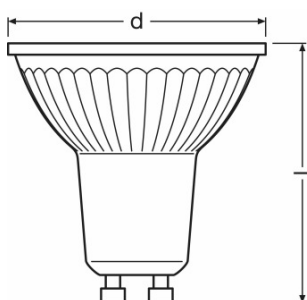
**Light technical data**

Beam angle	36 °
Warm-up time (60 %)	1.00 s
Starting time	0.0 s
Nominal beam angle	36 °
Rated beam angle (half peak value)	36.00 °

## Product datasheet

### Dimensions & weight

---



<b>Overall length</b>	55.0 mm
<b>Diameter</b>	51.0 mm
<b>Outer bulb</b>	PAR51
<b>Length</b>	55.0 mm
<b>Maximum diameter</b>	51.0 mm

### Lifespan

<b>Nominal lamp life time</b>	15000 h
<b>Rated lamp life time</b>	15000 h
<b>Number of switching cycles</b>	100000
<b>Lumen main.fact.at end of nom.life time</b>	0.70

### Additional product data

<b>Base (standard designation)</b>	GU10
<b>Mercury content</b>	0.0 mg
<b>Mercury-free</b>	Yes
<b>Appropriate disposal acc. to WEEE</b>	Yes
<b>Product remark</b>	All technical parameters apply to the entire lamp/Due to the complex production process for light-emitting diodes, the typical values shown for the technical LED parameters are purely statistical values that do not necessarily match the actual technical parameters of each individual product, which can vary from the typical value

### Capabilities

<b>Dimmable</b>	No
-----------------	----

### Certificates & standards

---

## Product datasheet

<b>Energy efficiency class</b>	A+
<b>Energy consumption</b>	7 kWh/1000h

### Country specific categorizations

<b>ILCOS</b>	DRPAR-6,9/840-220-240-GU10-50/36
<b>Order reference</b>	PPAR168036 6,9W

---

### Logistical Data

Product code	Product description	Packaging unit (Pieces/Unit)	Dimensions (length x width x height)	Volume	Gross weight
4052899958180	PARATHOM PAR16 80 36° 6.9 W/840 GU10	Shipping carton box 10	257 mm x 110 mm x 70 mm	1.98 dm <sup>3</sup>	545.00 g

The mentioned product code describes the smallest quantity unit which can be ordered. One shipping unit can contain one or more single products. When placing an order, for the quantity please enter single or multiples of a shipping unit.

---

### References / Links

For further products and actual information concerning LED lamps see

▶ [www.ledvance.com/ledlamps](http://www.ledvance.com/ledlamps)

For Guarantee see

▶ [www.ledvance.com/guarantee](http://www.ledvance.com/guarantee)

---

### Disclaimer

Subject to change without notice. Errors and omission excepted. Always make sure to use the most recent release.