



Is Now Part of



ON Semiconductor®

To learn more about ON Semiconductor, please visit our website at
www.onsemi.com

ON Semiconductor and the ON Semiconductor logo are trademarks of Semiconductor Components Industries, LLC dba ON Semiconductor or its subsidiaries in the United States and/or other countries. ON Semiconductor owns the rights to a number of patents, trademarks, copyrights, trade secrets, and other intellectual property. A listing of ON Semiconductor's product/patent coverage may be accessed at www.onsemi.com/site/pdf/Patent-Marking.pdf. ON Semiconductor reserves the right to make changes without further notice to any products herein. ON Semiconductor makes no warranty, representation or guarantee regarding the suitability of its products for any particular purpose, nor does ON Semiconductor assume any liability arising out of the application or use of any product or circuit, and specifically disclaims any and all liability, including without limitation special, consequential or incidental damages. Buyer is responsible for its products and applications using ON Semiconductor products, including compliance with all laws, regulations and safety requirements or standards, regardless of any support or applications information provided by ON Semiconductor. "Typical" parameters which may be provided in ON Semiconductor data sheets and/or specifications can and do vary in different applications and actual performance may vary over time. All operating parameters, including "Typicals" must be validated for each customer application by customer's technical experts. ON Semiconductor does not convey any license under its patent rights nor the rights of others. ON Semiconductor products are not designed, intended, or authorized for use as a critical component in life support systems or any FDA Class 3 medical devices or medical devices with a same or similar classification in a foreign jurisdiction or any devices intended for implantation in the human body. Should Buyer purchase or use ON Semiconductor products for any such unintended or unauthorized application, Buyer shall indemnify and hold ON Semiconductor and its officers, employees, subsidiaries, affiliates, and distributors harmless against all claims, costs, damages, and expenses, and reasonable attorney fees arising out of, directly or indirectly, any claim of personal injury or death associated with such unintended or unauthorized use, even if such claim alleges that ON Semiconductor was negligent regarding the design or manufacture of the part. ON Semiconductor is an Equal Opportunity/Affirmative Action Employer. This literature is subject to all applicable copyright laws and is not for resale in any manner.

NC7SB3157, FSA3157

Low-Voltage SPDT Analog Switch or 2:1 Multiplexer / De-multiplexer Bus Switch

Features


- Useful in Both Analog and Digital Applications
- Space-Saving, SC70 6-Lead Surface Mount Package
- Ultra-Small, MicroPak™ Leadless Package
- Low On Resistance: <math><10\Omega</math> on Typical at 3.3V V_{CC}
- Broad V_{CC} Operating Range: 1.65V to 5.5V
- Rail-to-Rail Signal Handling
- Power-Down, High-Impedance Control Input
- Over-Voltage Tolerance of Control Input to 7.0V
- Break-Before-Make Enable Circuitry
- 250MHz, 3dB Bandwidth

Description

The NC7SB3157 / FSA3157 is a high-performance, single-pole / double-throw (SPDT) analog switch or 2:1 multiplexer / de-multiplexer bus switch.

The device is fabricated with advanced sub-micron CMOS technology to achieve high-speed enable and disable times and low on resistance. The break-before-make select circuitry prevents disruption of signals on the B Port due to both switches temporarily being enabled during select pin switching. The device is specified to operate over the 1.65 to 5.5V V_{CC} operating range. The control input tolerates voltages up to 5.5V, independent of the V_{CC} operating range.

Ordering Information

| Part Number | Top Mark |  Eco Status | Package Description | Packing Method |
|--------------|----------|------------------------------------------------------------------------------------------------|----------------------------------------------|-----------------------------|
| NC7SB3157P6X | B7A | RoHS | 6-Lead, SC70, EIAJ SC88, 1.25mm Wide Package | 3000 Units on Tape and Reel |
| NC7SB3157L6X | BB | RoHS | 6-Lead, MicroPak 1.0mm Wide Package | 5000 Units on Tape and Reel |
| FSA3157P6X | B7A | RoHS | 6-Lead, SC70, EIAJ SC88, 1.25mm Wide Package | 3000 Units on Tape and Reel |
| FSA3157L6X | BB | RoHS | 6-Lead, MicroPak 1.0mm Wide Package | 5000 Units on Tape and Reel |

 For Fairchild's definition of "green" Eco Status, please visit: http://www.fairchildsemi.com/company/green/rohs_green.html.

MicroPak™ is a trademark of Fairchild Semiconductor Corporation.

Logic Symbol

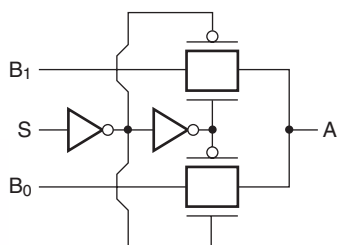
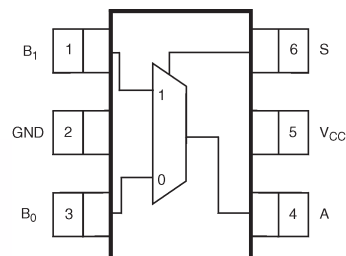


Figure 1. Logic Symbol

Connection Diagrams



2. Pin Assignments SC70

Analog Symbol

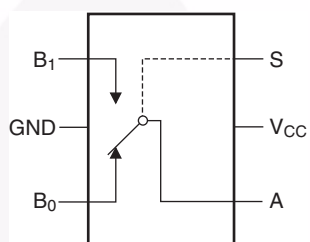


Figure 3. Analog Symbol

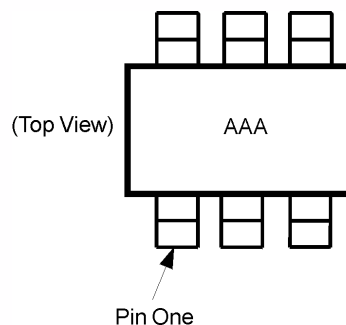


Figure 4. Pin One Orientation

Function Table

| Input (S) | Function |
|------------------|-------------------------------|
| Logic Level Low | B ₀ Connected to A |
| Logic Level High | B ₁ Connected to A |

Note:

Orientation of top mark determines pin one location. Read the top product code mark left to right and pin one is the lower left pin (see Figure 4).

Pin Descriptions

| Pin Names | Description |
|------------------------------------|---------------|
| A, B ₀ , B ₁ | Data Ports |
| S | Control Input |

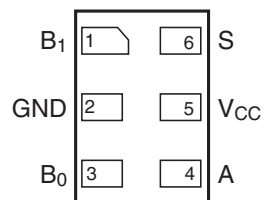


Figure 5. Pad Assignments for MicroPak™

Absolute Maximum Ratings

Stresses exceeding the absolute maximum ratings may damage the device. The device may not function or be operable above the recommended operating conditions and stressing the parts to these levels is not recommended. In addition, extended exposure to stresses above the recommended operating conditions may affect device reliability. The absolute maximum ratings are stress ratings only.

| Symbol | Parameter | Min. | Max. | Unit |
|------------------|---------------------------------------------------|------|----------------|-------|
| V_{CC} | Supply Voltage | -0.5 | +7.0 | V |
| V_S | DC Switch Voltage ⁽¹⁾ | -0.5 | $V_{CC} + 0.5$ | V |
| V_{IN} | DC Input Voltage ⁽¹⁾ | -0.5 | +7.0 | V |
| I_{IK} | DC Input Diode Current at $V_{IN} < 0V$ | | -50 | mA |
| I_{OUT} | DC Output Current | | 128 | mA |
| I_{CC}/I_{GND} | DC V_{CC} or Ground Current | | ± 100 | mA |
| T_{STG} | Storage Temperature Range | -65 | +150 | °C |
| T_J | Junction Temperature Under Bias | | +150 | °C |
| T_L | Junction Lead Temperature (Soldering, 10 seconds) | | +260 | °C |
| MSL | Moisture Sensitivity Level (JEDEC J-STD-020A) | | 1 | Level |
| P_D | Power Dissipation at +85°C | | 180 | mW |
| ESD | Human Body Model, JESD22-A114 | | 4000 | V |

Note:

- The input and output negative voltage ratings may be exceeded if the input and output diode current ratings are observed.

Recommended Operating Conditions

The Recommended Operating Conditions table defines the conditions for actual device operation. Recommended operating conditions are specified to ensure optimal performance to the datasheet specifications. Fairchild does not recommend exceeding them or designing to absolute maximum ratings.

| Symbol | Parameter | Min. | Max. | Unit | |
|---------------|--------------------------------------|---------------------------------------|----------|------|------|
| V_{CC} | Supply Voltage Operating | 1.65 | 5.50 | V | |
| V_{IN} | Control Input Voltage ⁽²⁾ | 0 | V_{CC} | V | |
| V_{IN} | Switch Input Voltage ⁽²⁾ | 0 | V_{CC} | V | |
| V_{OUT} | Output Voltage ⁽²⁾ | 0 | V_{CC} | V | |
| T_A | Operating Temperature | -40 | +85 | °C | |
| t_r, t_f | Input Rise and Fall Time | Control Input $V_{CC} = 2.3V-3.6V$ | 0 | 10 | ns/V |
| | | Control Input $V_{CC} = 4.5V-5.5V$ | 0 | 5 | ns/V |
| θ_{JA} | Thermal Resistance, SC70 | | 270 | °C/W | |

Note:

- Control input must be held HIGH or LOW; it must not float.

DC Electrical Characteristics

| Symbol | Parameter | Conditions | V _{CC} (V) | T _A = +25°C | | | T _A = -40°C to +85°C | | Units |
|------------------------------------------------|-----------------------------------------------------------|---------------------------------------------------------------|---------------------|------------------------|-------|----------------------|---------------------------------|----------------------|-------|
| | | | | Min. | Typ. | Max. | Min. | Max. | |
| V _{IH} | High Level Input Voltage | | 1.65 – 1.95 | 0.75 V _{CC} | | | 0.75 V _{CC} | | V |
| | | | 2.3 – 5.5 | 0.7 V _{CC} | | | 0.7 V _{CC} | | |
| V _{IL} | Low Level Input Voltage | | 1.65 – 1.95 | | | 0.25 V _{CC} | | 0.25 V _{CC} | V |
| | | | 2.3 – 5.5 | | | 0.3 V _{CC} | | 0.3 V _{CC} | |
| I _{IN} | Input Leakage Current | 0 ≤ V _{IN} ≤ 5.5V | 0 – 5.5 | | ±0.05 | ±0.1 | | ±1 | μA |
| I _{OFF} | Off State Leakage Current | 0 ≤ A, B ≤ V _{CC} | 1.65 – 5.5 | | ±0.05 | ±0.1 | | ±1 | μA |
| R _{ON} | Switch On Resistance ⁽³⁾ | V _{IN} = 0V, I _O = 30mA | 4.5 | | 3.0 | 7.0 | | 7.0 | Ω |
| | | V _{IN} = 2.4V, I _O = -30mA | | | 5.0 | 12.0 | | 12.0 | |
| | | V _{IN} = 4.5V, I _O = -30mA | | 7.0 | 15.0 | | 15.0 | | |
| | | V _{IN} = 0V, I _O = 24mA | 3.0 | | 4.0 | 9.0 | | 9.0 | |
| | | V _{IN} = 3V, I _O = -24mA | | | 10.0 | 20.0 | | 20.0 | |
| | | V _{IN} = 0V, I _O = 8mA | 2.3 | | 5.0 | 12.0 | | 12.0 | |
| | | V _{IN} = 2.3V, I _O = -8mA | | | 13.0 | 30.0 | | 30.0 | |
| | | V _{IN} = 0V, I _O = 4mA | 1.65 | | 6.5 | 20.0 | | 20.0 | |
| V _{IN} = 1.65V, I _O = -4mA | | 17.0 | | 50.0 | | 50.0 | | | |
| I _{CC} | Quiescent Supply Current; All Channels On or Off | V _{IN} = V _{CC} or GND I _{OUT} = 0 | 5.5 | | | 1 | | 10 | μA |
| | Analog Signal Range | | V _{CC} | 0 | | V _{CC} | 0 | V _{CC} | V |
| R _{RANGE} | On Resistance Over Signal Range ^(3, 7) | I _A = -30mA, 0 ≤ V _{Bn} ≤ V _{CC} | 4.5 | | | | | 25.0 | Ω |
| | | I _A = -24mA, 0 ≤ V _{Bn} ≤ V _{CC} | 3.0 | | | | | 50.0 | |
| | | I _A = -8mA, 0 ≤ V _{Bn} ≤ V _{CC} | 2.3 | | | | | 100 | |
| | | I _A = -4mA, 0 ≤ V _{Bn} ≤ V _{CC} | 1.65 | | | | | 300 | |
| ΔR _{ON} | On Resistance Match Between-Channels ^(3, 4, 5) | I _A = -30mA, V _{Bn} = 3.15 | 4.5 | | 0.15 | | | | Ω |
| | | I _A = -24mA, V _{Bn} = 2.1 | 3.0 | | 0.2 | | | | |
| | | I _A = -8mA, V _{Bn} = 1.6 | 2.3 | | 0.5 | | | | |
| | | I _A = -4mA, V _{Bn} = 1.15 | 1.65 | | 0.50 | | | | |
| R _{flat} | On Resistance Flatness ^(3, 4, 6) | I _A = -30mA, 0 ≤ V _{Bn} ≤ V _{CC} | 5.0 | | 6.0 | | | | Ω |
| | | I _A = -24mA, 0 ≤ V _{Bn} ≤ V _{CC} | 3.3 | | 12.0 | | | | |
| | | I _A = -8mA, 0 ≤ V _{Bn} ≤ V _{CC} | 2.5 | | 28.0 | | | | |
| | | I _A = -4mA, 0 ≤ V _{Bn} ≤ V _{CC} | 1.8 | | 125 | | | | |

Notes:

- Measured by the voltage drop between A and B pins at the indicated current through the switch. On resistance is determined by the lower of the voltages on the two (A or B Ports).
- Parameter is characterized, but not tested in production.
- ΔR_{ON} = R_{ON} max – R_{ON} minimum measured at identical V_{CC}, temperature, and voltage levels.
- Flatness is defined as the difference between the maximum and minimum value of on resistance over the specified range of conditions.
- Guaranteed by design.

AC Electrical Characteristics

| Symbol | Parameter | Conditions | V _{CC} (V) | T _A = +25°C | | | T _A = -40°C to +85°C | | Units | Figure Number |
|----------------------------------------|--------------------------------------------------------------|-------------------------------------------------------------------------------------------------------|------------------------|------------------------|-------|------|---------------------------------|------|-----------|------------------------|
| | | | | Min. | Typ. | Max. | Min. | Max. | | |
| t _{PHL} , t _{PLH} | Propagation Delay Bus-to-Bus ⁽⁸⁾ | V _I = OPEN | 1.65 – 1.95 | | | 3.5 | | 3.5 | ns | Figure 12 Figure 13 |
| | | | 2.3 – 2.7 | | | 1.2 | | 1.2 | | |
| | | | 3.0 – 3.6 | | | 0.8 | | 0.8 | | |
| | | | 4.5 – 5.5 | | | 0.3 | | 0.3 | | |
| t _{PZL} , t _{PZH} | Output Enable Time Turn-On Time (A to B _n) | V _I = 2 x V _{CC} for t _{PZL} V _I = 0V for t _{PZH} | 1.65 – 1.95 | 7.0 | | 23.0 | 7.0 | 24.0 | ns | Figure 12 Figure 13 |
| | | | 2.3 – 2.7 | 3.5 | | 13.0 | 3.5 | 14.0 | | |
| | | | 3.0 – 3.6 | 2.5 | | 6.9 | 2.5 | 7.6 | | |
| | | | 4.5 – 5.5 | 1.7 | | 5.2 | 1.7 | 5.7 | | |
| t _{PLZ} , t _{PHZ} | Output Disable Time Turn-Off Time (A Port to B Port) | V _I = 2 x V _{CC} for t _{PLZ} V _I = 0V for t _{PHZ} | 1.65 – 1.95 | 3.0 | | 12.5 | 3.0 | 13.0 | ns | Figure 12 Figure 13 |
| | | | 2.3 – 2.7 | 2.0 | | 7.0 | 2.0 | 7.5 | | |
| | | | 3.0 – 3.6 | 1.5 | | 5.0 | 1.5 | 5.3 | | |
| | | | 4.5 – 5.5 | 0.8 | | 3.5 | 0.8 | 3.8 | | |
| t _{B-M} | Break-Before-Make Time ⁽⁹⁾ | | 1.65 – 1.95 | 0.5 | | | 0.5 | | ns | Figure 14 |
| | | | 2.3 – 2.7 | 0.5 | | | 0.5 | | | |
| | | | 3.0 – 3.6 | 0.5 | | | 0.5 | | | |
| | | | 4.5 – 5.5 | 0.5 | | | 0.5 | | | |
| Q | Charge Injection ⁽⁹⁾ | C _L = 0.1nF, V _{GEN} = 0V, | 5.0 | | 7.0 | | | pC | Figure 15 | |
| | | R _{GEN} = 0Ω | 3.3 | | 3.0 | | | | | |
| OIRR | Off Isolation ⁽¹⁰⁾ | R _L = 50Ω, f = 10MHz | 1.65 – 5.5 | | -57.0 | | | dB | Figure 16 | |
| Xtalk | Crosstalk | R _L = 50Ω, f = 10MHz | 1.65 – 5.5 | | -54.0 | | | dB | Figure 17 | |
| BW | -3dB Bandwidth | R _L = 50Ω | 1.65 – 5.5 | | 250 | | | MHz | Figure 20 | |
| THD | Total Harmonic Distortion ⁽⁹⁾ | R _L = 600Ω, 0.5 V _{PP} , f = 600 Hz to 20 KHz | 5.0 | | .011 | | | % | | |

Notes:

8. This parameter is guaranteed by design but not tested. The bus switch contributes no propagation delay other than the RC delay of the on resistance of the switch and the 50pF load capacitance, when driven by an ideal voltage source (zero output impedance).
9. Guaranteed by design.
10. Off Isolation = 20 log₁₀ [V_A / V_{Bn}].

Capacitance

T_A = +25°C, f = 1MHz. Capacitance is characterized, but not tested in production.

| Symbol | Parameter | Conditions | Typ. | Max. | Units | Figure Number |
|---------------------|-------------------------------------------|------------------------|------|------|-------|---------------|
| C _{IN} | Control Pin Input Capacitance | V _{CC} = 0V | 2.3 | | pF | |
| C _{IO-B} | B Port Off Capacitance | V _{CC} = 5.0V | 6.5 | | pF | Figure 18 |
| C _{IOA-ON} | A Port Capacitance When Switch Is Enabled | V _{CC} = 5.0V | 18.5 | | pF | Figure 19 |

Typical Characteristics

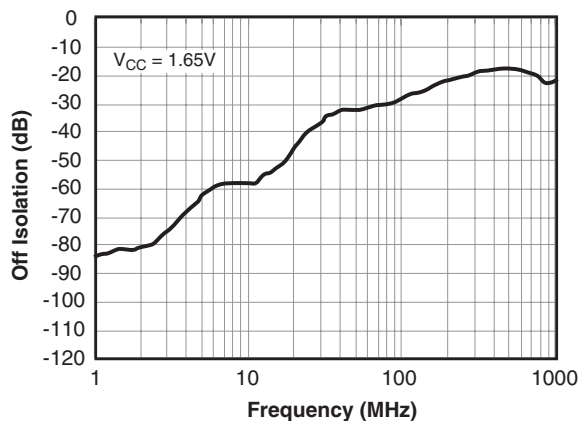


Figure 6. Off Isolation, $V_{CC} = 1.65V$

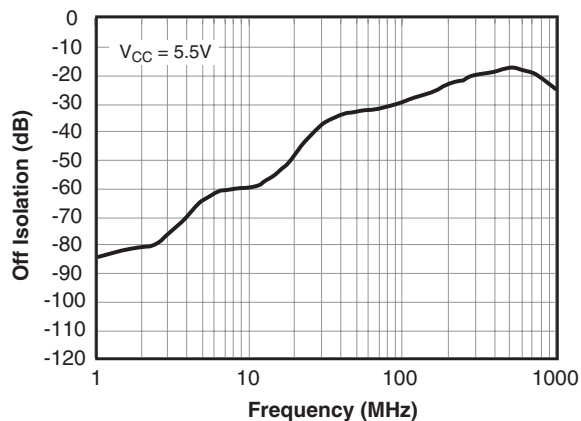


Figure 7. Off Isolation, $V_{CC} = 5.5V$

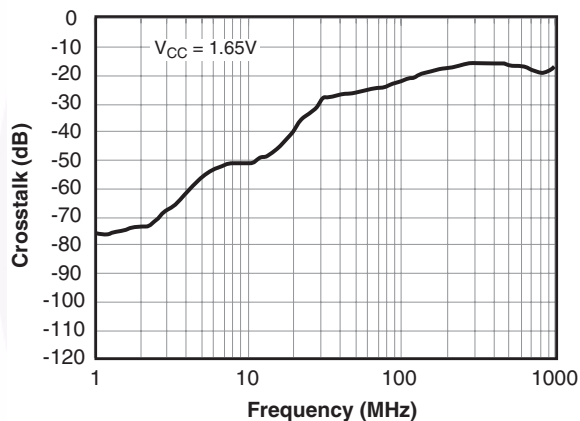


Figure 8. Crosstalk, $V_{CC} = 1.65V$

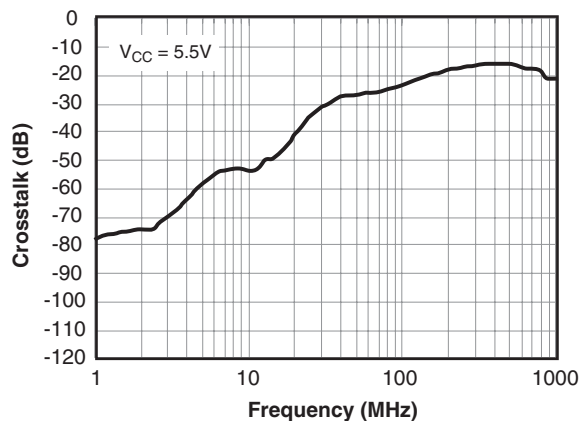


Figure 9. Crosstalk, $V_{CC} = 5.5V$

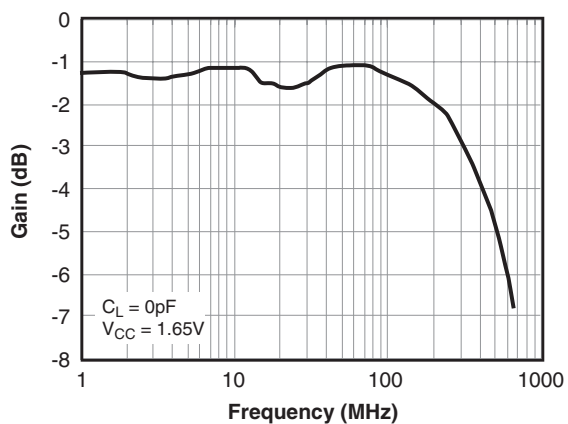


Figure 10. Bandwidth, $V_{CC} = 1.65V$

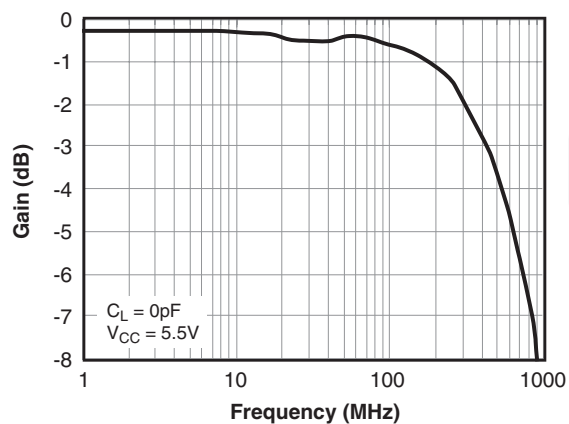
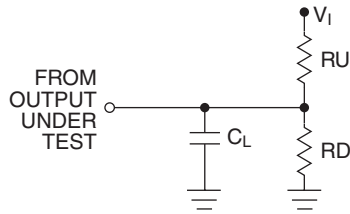


Figure 11. Bandwidth, $V_{CC} = 5.5V$

AC Loading and Waveforms



Notes:

Input driven by 50Ω source terminated in 50Ω
 C_L includes load and stray capacitance
 Input PRR = 1.0 MHz; t_W = 500 ns

Figure 12. AC Test Circuit

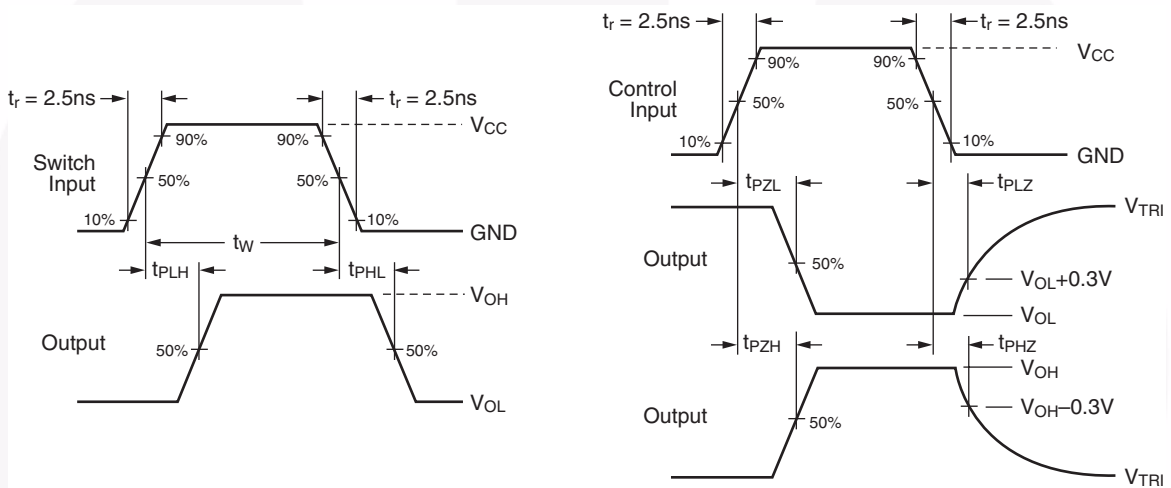


Figure 13. AC Waveforms

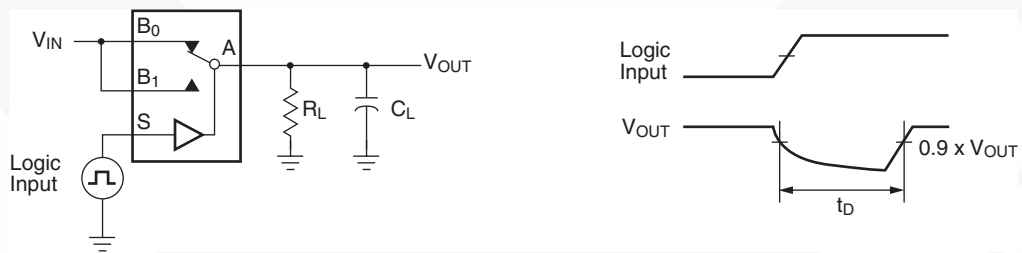


Figure 14. Break-Before-Make Interval Timing

AC Loading and Waveforms (continued)

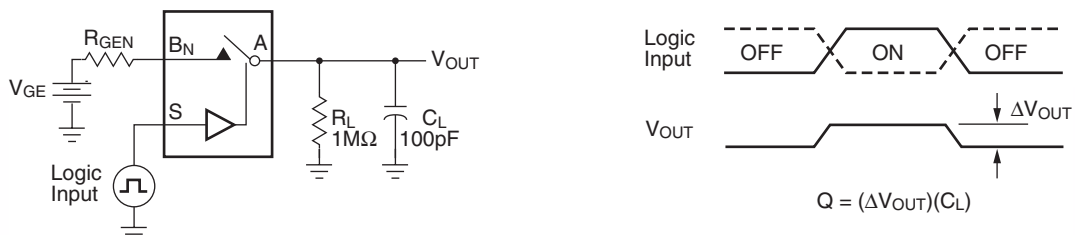


Figure 15. Charge Injection Test

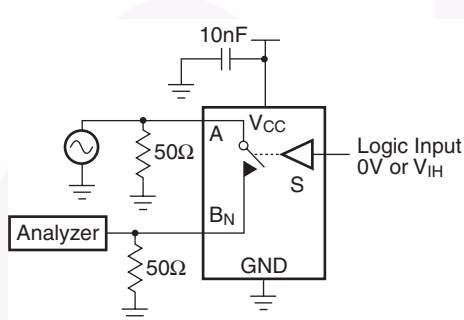


Figure 16. Off Isolation

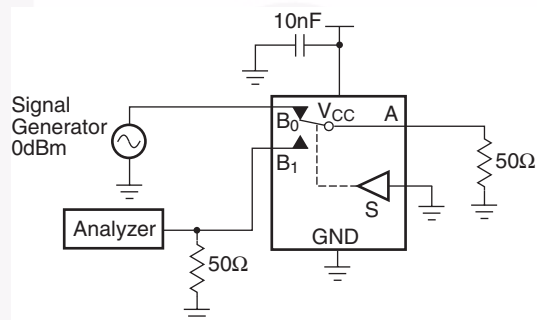


Figure 17. Crosstalk

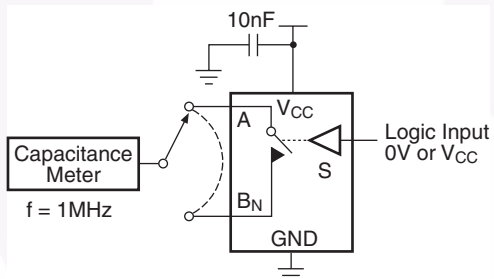


Figure 18. Channel Off Capacitance

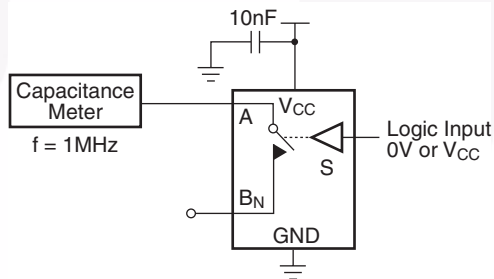


Figure 19. Channel On Capacitance

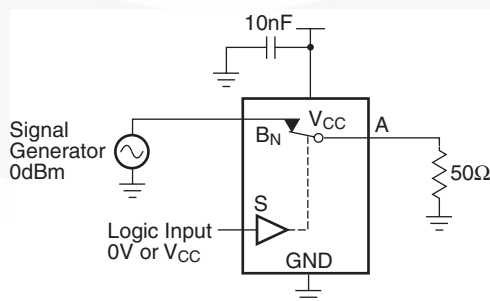
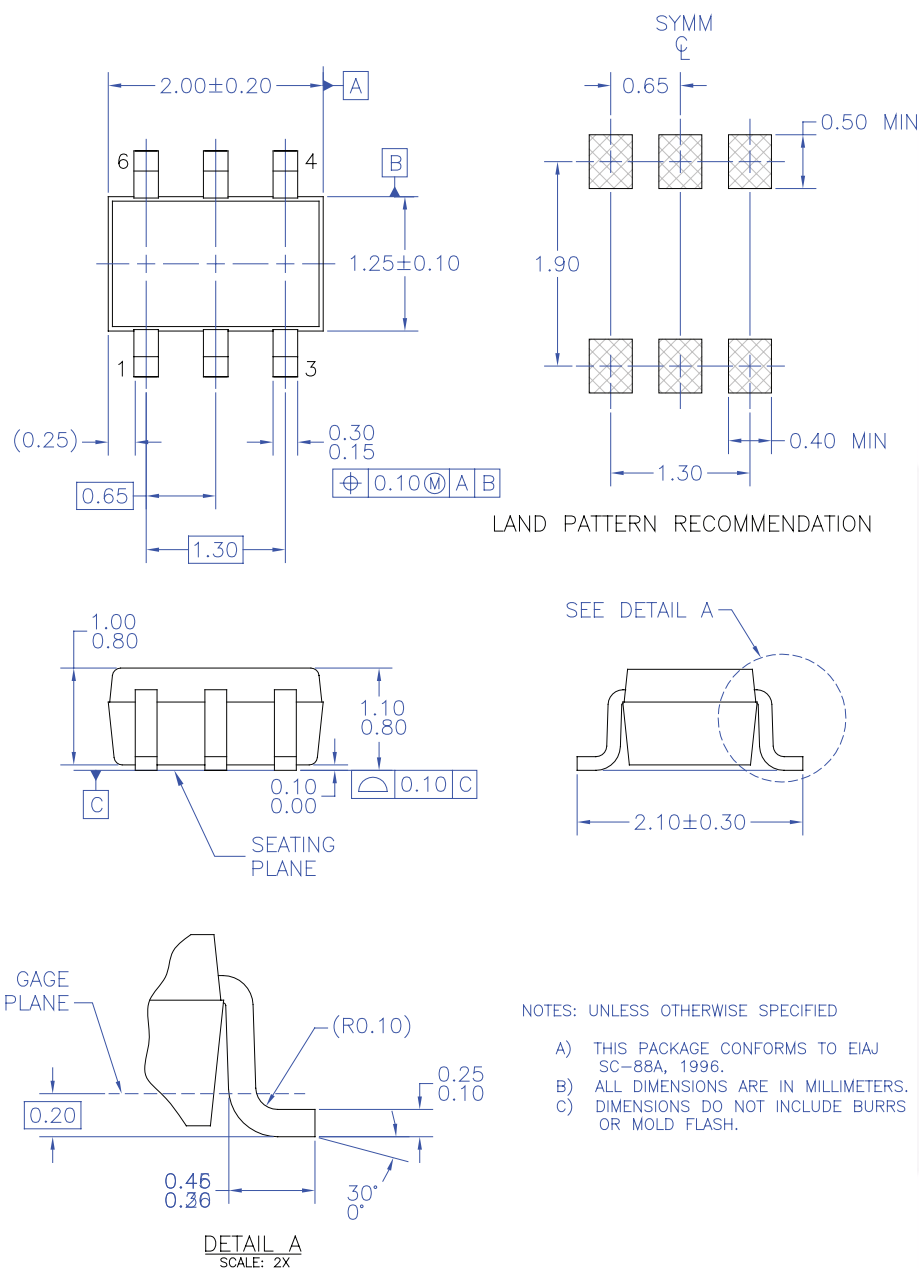


Figure 20. Bandwidth

Physical Dimensions



MAA06AREV5

Figure 21. 6-Lead, SC70, EIAJ SC88, 1.25mm Wide Package

Note: [click here for tape and reel specifications, available at:](#)

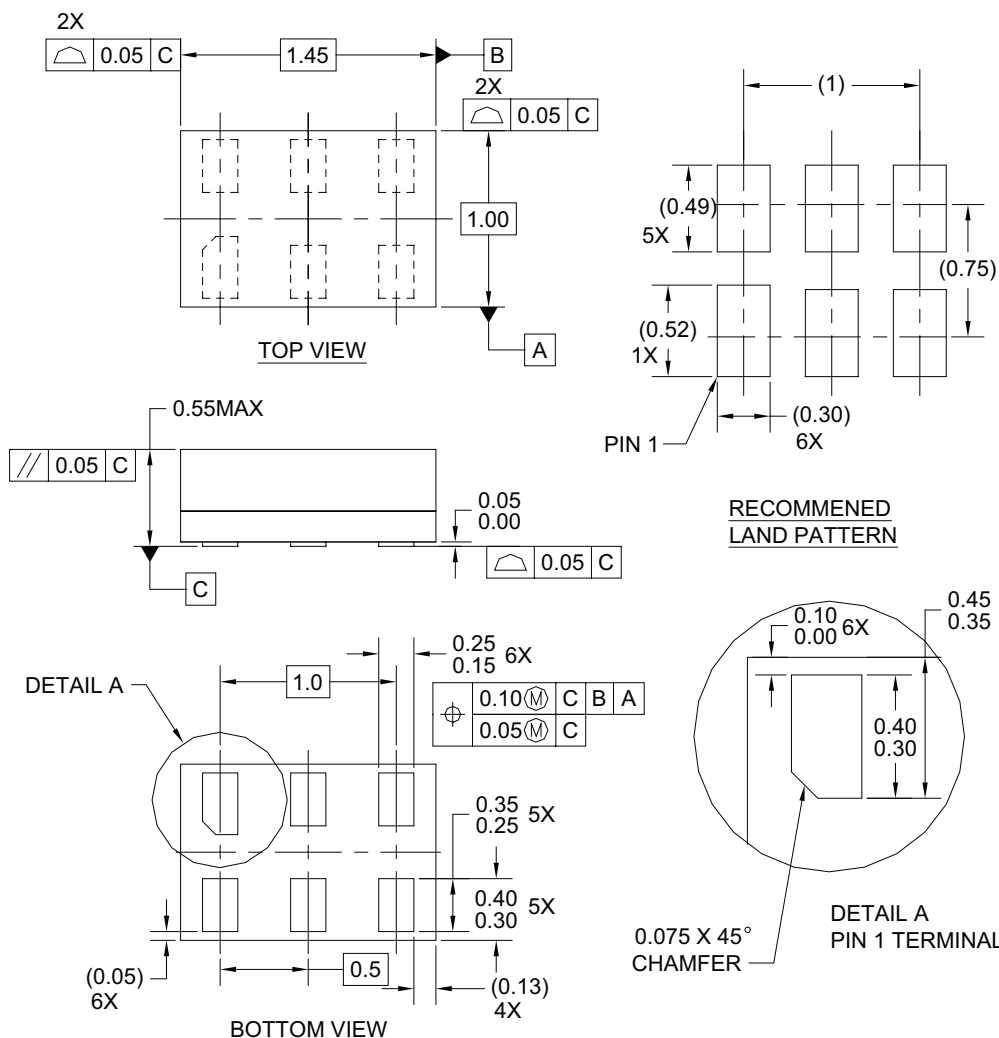
http://www.fairchildsemi.com/products/analog/pdf/sc70-6_tr.pdf

Package drawings are provided as a service to customers considering Fairchild components. Drawings may change in any manner without notice. Please note the revision and/or date on the drawing and contact a Fairchild Semiconductor representative to verify or obtain the most recent revision. Package specifications do not expand the terms of Fairchild's worldwide terms and conditions, specifically the warranty therein, which covers Fairchild products.

Always visit Fairchild Semiconductor's online packaging area for the most recent package drawings:

<http://www.fairchildsemi.com/packaging/>

Physical Dimensions



Notes:

1. CONFORMS TO JEDEC STANDARD M0-252 VARIATION UAAD
2. DIMENSIONS ARE IN MILLIMETERS
3. DRAWING CONFORMS TO ASME Y14.5M-1994

MAC06AREVC

6-Lead, MicroPak™ 1.0mm Wide Package

Note: [click here for tape and reel specifications, available at:](#)

http://www.fairchildsemi.com/products/logic/pdf/micropak_tr.pdf

Package drawings are provided as a service to customers considering Fairchild components. Drawings may change in any manner without notice. Please note the revision and/or date on the drawing and contact a Fairchild Semiconductor representative to verify or obtain the most recent revision. Package specifications do not expand the terms of Fairchild's worldwide terms and conditions, specifically the warranty therein, which covers Fairchild products.




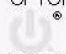
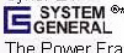
Always visit Fairchild Semiconductor's online packaging area for the most recent package drawings:

<http://www.fairchildsemi.com/packaging/>



TRADEMARKS

The following includes registered and unregistered trademarks and service marks, owned by Fairchild Semiconductor and/or its global subsidiaries, and is not intended to be an exhaustive list of all such trademarks.

- | | | | |
|-------------------------------------------------------------------------------------|-------------------------------------------------------------------------------------|-------------------------------------------------------------------------------------|---------------------------------------------------------------------------------------|
| Build it Now™ | FRFET® | Programmable Active Droop™ | the power franchise |
| CorePLUS™ | Global Power Resource SM | QFET® | TinyBoost™ |
| CorePOWER™ | Green FPST™ | QS™ | TinyBuck™ |
| CROSSVOLT™ | Green FPST™ e-Series™ | Quiet Series™ | TinyLogic® |
| CTL™ | GTO™ | RapidConfigure™ | TINYOPTO™ |
| Current Transfer Logic™ | IntelliMAX™ |  ™ | TinyPower™ |
| EcoSPARK® | ISOPLANAR™ | Saving our world, 1mW/WkW at a time™ | TinyPWM™ |
| EfficientMax™ | MegaBuck™ | SmartMax™ | TinyWire™ |
| EZSWITCH™ | MICROCOUPLER™ | SMART START™ | TriFault Detect™ |
|  ™ | MicroFET™ | SPM® | TRUECURRENT™ |
|  ™ | MicroPak™ | STEALTH™ | µSerDes™ |
| Fairchild® | MillerDrive™ | SuperFET™ |  ™ |
| Fairchild Semiconductor® | MotionMax™ | SuperSOT™.3 | UHC® |
| FACT Quiet Series™ | Motion-SPM™ | SuperSOT™.6 | Ultra FRFET™ |
| FACT® | OPTOLOGIC® | SuperSOT™.8 | UniFET™ |
| FAST® | OPTOPLANAR® | SupreMOS™ | VGX™ |
| FastvCore™ |  ™ | SyncFET™ | VisualMax™ |
| FlashWriter SM | PDP SPM™ |  ™ | XST™ |
| FPST™ | Power-SPM™ | The Power Franchise® | |
| F-PFST™ | PowerTrench® | | |
| | PowerXS™ | | |

* Trademarks of System General Corporation, used under license by Fairchild Semiconductor.

DISCLAIMER

FAIRCHILD SEMICONDUCTOR RESERVES THE RIGHT TO MAKE CHANGES WITHOUT FURTHER NOTICE TO ANY PRODUCTS HEREIN TO IMPROVE RELIABILITY, FUNCTION, OR DESIGN. FAIRCHILD DOES NOT ASSUME ANY LIABILITY ARISING OUT OF THE APPLICATION OR USE OF ANY PRODUCT OR CIRCUIT DESCRIBED HEREIN; NEITHER DOES IT CONVEY ANY LICENSE UNDER ITS PATENT RIGHTS, NOR THE RIGHTS OF OTHERS. THESE SPECIFICATIONS DO NOT EXPAND THE TERMS OF FAIRCHILD'S WORLDWIDE TERMS AND CONDITIONS, SPECIFICALLY THE WARRANTY THEREIN, WHICH COVERS THESE PRODUCTS.

LIFE SUPPORT POLICY

FAIRCHILD'S PRODUCTS ARE NOT AUTHORIZED FOR USE AS CRITICAL COMPONENTS IN LIFE SUPPORT DEVICES OR SYSTEMS WITHOUT THE EXPRESS WRITTEN APPROVAL OF FAIRCHILD SEMICONDUCTOR CORPORATION.

As used herein:

1. Life support devices or systems are devices or systems which, (a) are intended for surgical implant into the body or (b) support or sustain life, and (c) whose failure to perform when properly used in accordance with instructions for use provided in the labeling, can be reasonably expected to result in a significant injury of the user.
2. A critical component in any component of a life support, device, or system whose failure to perform can be reasonably expected to cause the failure of the life support device or system, or to affect its safety or effectiveness.

ANTI-COUNTERFEITING POLICY

Fairchild Semiconductor Corporation's Anti-Counterfeiting Policy. Fairchild's Anti-Counterfeiting Policy is also stated on our external website, www.fairchildsemi.com, under Sales Support.

Counterfeiting of semiconductor parts is a growing problem in the industry. All manufacturers of semiconductor products are experiencing counterfeiting of their parts. Customers who inadvertently purchase counterfeit parts experience many problems such as loss of brand reputation, substandard performance, failed applications, and increased cost of production and manufacturing delays. Fairchild is taking strong measures to protect ourselves and our customers from the proliferation of counterfeit parts. Fairchild strongly encourages customers to purchase Fairchild parts either directly from Fairchild or from Authorized Fairchild Distributors who are listed by country on our web page cited above. Products customers buy either from Fairchild directly or from Authorized Fairchild Distributors are genuine parts, have full traceability, meet Fairchild's quality standards for handling and storage and provide access to Fairchild's full range of up-to-date technical and product information. Fairchild and our Authorized Distributors will stand behind all warranties and will appropriately address any warranty issues that may arise. Fairchild will not provide any warranty coverage or other assistance for parts bought from Unauthorized Sources. Fairchild is committed to combat this global problem and encourage our customers to do their part in stopping this practice by buying direct or from authorized distributors.

PRODUCT STATUS DEFINITIONS

Definition of Terms

| Datasheet Identification | Product Status | Definition |
|--------------------------|-----------------------|-----------------------------------------------------------------------------------------------------------------------------------------------------------------------------------------------------|
| Advance Information | Formative / In Design | Datasheet contains the design specifications for product development. Specifications may change in any manner without notice. |
| Preliminary | First Production | Datasheet contains preliminary data; supplementary data will be published at a later date. Fairchild Semiconductor reserves the right to make changes at any time without notice to improve design. |
| No Identification Needed | Full Production | Datasheet contains final specifications. Fairchild Semiconductor reserves the right to make changes at any time without notice to improve the design. |
| Obsolete | Not In Production | Datasheet contains specifications on a product that is discontinued by Fairchild Semiconductor. The datasheet is for reference information only. |

Rev. 139

ON Semiconductor and  are trademarks of Semiconductor Components Industries, LLC dba ON Semiconductor or its subsidiaries in the United States and/or other countries. ON Semiconductor owns the rights to a number of patents, trademarks, copyrights, trade secrets, and other intellectual property. A listing of ON Semiconductor's product/patent coverage may be accessed at www.onsemi.com/site/pdf/Patent-Marking.pdf. ON Semiconductor reserves the right to make changes without further notice to any products herein. ON Semiconductor makes no warranty, representation or guarantee regarding the suitability of its products for any particular purpose, nor does ON Semiconductor assume any liability arising out of the application or use of any product or circuit, and specifically disclaims any and all liability, including without limitation special, consequential or incidental damages. Buyer is responsible for its products and applications using ON Semiconductor products, including compliance with all laws, regulations and safety requirements or standards, regardless of any support or applications information provided by ON Semiconductor. "Typical" parameters which may be provided in ON Semiconductor data sheets and/or specifications can and do vary in different applications and actual performance may vary over time. All operating parameters, including "Typicals" must be validated for each customer application by customer's technical experts. ON Semiconductor does not convey any license under its patent rights nor the rights of others. ON Semiconductor products are not designed, intended, or authorized for use as a critical component in life support systems or any FDA Class 3 medical devices or medical devices with a same or similar classification in a foreign jurisdiction or any devices intended for implantation in the human body. Should Buyer purchase or use ON Semiconductor products for any such unintended or unauthorized application, Buyer shall indemnify and hold ON Semiconductor and its officers, employees, subsidiaries, affiliates, and distributors harmless against all claims, costs, damages, and expenses, and reasonable attorney fees arising out of, directly or indirectly, any claim of personal injury or death associated with such unintended or unauthorized use, even if such claim alleges that ON Semiconductor was negligent regarding the design or manufacture of the part. ON Semiconductor is an Equal Opportunity/Affirmative Action Employer. This literature is subject to all applicable copyright laws and is not for resale in any manner.

PUBLICATION ORDERING INFORMATION

LITERATURE FULFILLMENT:

Literature Distribution Center for ON Semiconductor
19521 E. 32nd Pkwy, Aurora, Colorado 80011 USA
Phone: 303-675-2175 or 800-344-3860 Toll Free USA/Canada
Fax: 303-675-2176 or 800-344-3867 Toll Free USA/Canada
Email: orderlit@onsemi.com

N. American Technical Support: 800-282-9855 Toll Free
USA/Canada
Europe, Middle East and Africa Technical Support:
Phone: 421 33 790 2910
Japan Customer Focus Center
Phone: 81-3-5817-1050

ON Semiconductor Website: www.onsemi.com
Order Literature: <http://www.onsemi.com/orderlit>
For additional information, please contact your local
Sales Representative