

PLEASE CHECK WWW.MOLEX.COM FOR LATEST PART INFORMATION

Part Number: [0506418041](#)
Status: **Active**
Overview: PanelMate™ Wire-to-Board Connector System
Description: PanelMate™ Crimp Receptacle Terminal, 28-30 AWG, Reel Gold (Au)

Documents:

3D Model	Product Specification PS-51146-010 (PDF)
Drawing (PDF)	Product Specification PS-51146-011 (PDF)
Product Specification PS-51146-001 (PDF)	Product Specification PS-51146-012 (PDF)
Product Specification PS-51146-006 (PDF)	Product Specification PS-51146-013 (PDF)
Product Specification PS-51146-007 (PDF)	Packaging Specification SPK-50641-001 (PDF)
Product Specification PS-51146-008 (PDF)	RoHS Certificate of Compliance (PDF)
Product Specification PS-51146-009 (PDF)	

General

Product Family	Crimp Terminals
Series	50641
Application	Signal
Crimp Quality Equipment	Yes
Overview	PanelMate™ Wire-to-Board Connector System
Packaging Alternative	50641-8141 (Loose)
Product Name	PanelMate™
UPC	800753746749

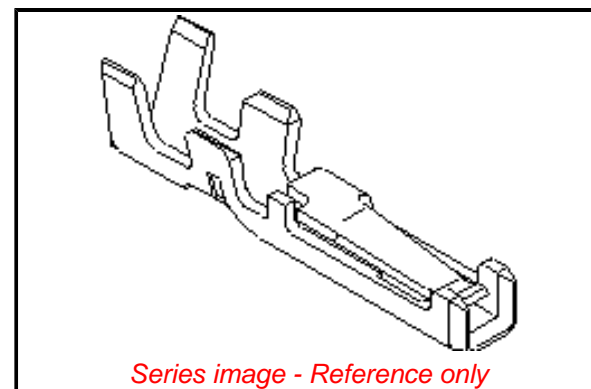
Physical

Gender	Female
Material - Metal	Phosphor Bronze
Material - Plating Mating	Gold
Material - Plating Termination	Tin
Net Weight	20.020/mg
Packaging Type	Reel
Plating min - Mating	0.203µm
Plating min - Termination	0.203µm
Termination Interface: Style	Crimp or Compression
Wire Insulation Diameter	0.50-0.90mm
Wire Size AWG	28, 30
Wire Size mm²	N/A

Material Info

Reference - Drawing Numbers

Crimp Specification	CS-50641
Packaging Specification	SPK-50641-001
Product Specification	PS-51146-001, PS-51146-006, PS-51146-007, PS-51146-008, PS-51146-009, PS-51146-010, PS-51146-011, PS-51146-012, PS-51146-013, RPS-51146-002, RPS-51146-003, RPS-51146-004, RPS-51146-007, RPS-51146-008, RPS-51146-009, RPS-51146-010, RPS-51146-011, RPS-51146-012, RPS-51146-013, RPS-51146-015, RPS-51146-016, RPS-51146-017, RPS-51146-019, RPS-51146-021, RPS-51146-022, RPS-51146-023, RPS-51146-024, RPS-51146-025, RPS-51146-026, RPS-51146-027, RPS-51146-028, RPS-51146-029, RPS-51146-030, RPS-51146-031, RPS-51146-034, RPS-51146-035
Sales Drawing	SD-50641-001



EU ELV

Not Relevant

EU RoHS

Compliant

REACH SVHC

Not Contained Per - ED/21/2016 (20 June 2016)

Halogen-Free

Status

Low-Halogen

Need more information on product environmental compliance?

Email productcompliance@molex.com
Please visit the [Contact Us](#) section for any non-product compliance questions.

China ROHS

ELV

RoHS Phthalates

China RoHS

Green Image

Not Relevant

Not Contained

Search Parts in this Series

[50641 Series](#)

Application Tooling | FAQ

Tooling specifications and manuals are found by selecting the products below. Crimp Height Specifications are then contained in the Application Tooling Specification document.

Global

Description	Product #
Hand Crimp Tool, UL	0638117900
Approved	
Extractor Tool for 1.25mm Pitch Wire-to-Board Crimp Terminal	0638133400
FineAdjust™ Applicator	0639027900

PanelMate™ Crimp
Terminals

Japan

Description	Product #
--------------------	------------------

Applicator for M211A	<u>0573523000</u>
----------------------	-------------------

Bench Press, 28-30

AWG Wire

Side-Feed Applicator	<u>0573523200</u>
----------------------	-------------------

For Full-Auto

Machine

This document was generated on 10/28/2016

PLEASE CHECK WWW.MOLEX.COM FOR LATEST PART INFORMATION