

PLEASE CHECK WWW.MOLEX.COM FOR LATEST PART INFORMATION

Part Number: **0533750310**
Status: **Active**
Overview: Mini-Lock™ Wire-to-Board Connector System
Description: 2.50mm Pitch Mini-Lock™ Wire-to-Board Header, Vertical, Friction and Positive Lock, 3 Circuits

Documents:

[3D Model](#) [Product Specification PS-51163-002 \(PDF\)](#)
[Drawing \(PDF\)](#) [RoHS Certificate of Compliance \(PDF\)](#)

Agency Certification

CSA LR19980
 UL E29179

General

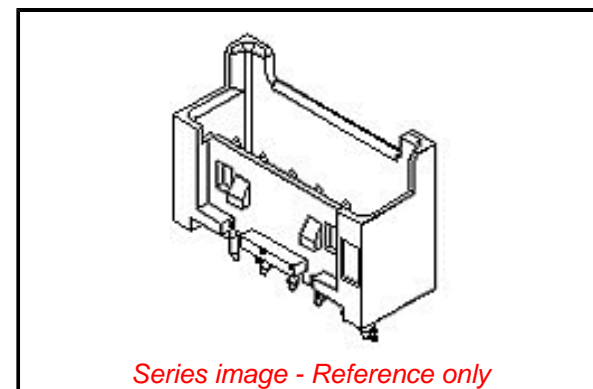
Product Family PCB Headers
 Series 53375
 Application Signal, Wire-to-Board
 MolexKits Yes
 Overview [Mini-Lock™ Wire-to-Board Connector System](#)
 Product Name Mini-Lock™
 UPC 800753563612

Physical

Breakaway No
 Circuits (Loaded) 3
 Circuits (maximum) 3
 Color - Resin Natural
 Durability (mating cycles max) 30
 First Mate / Last Break No
 Flammability 94V-0
 Glow-Wire Compliant No
 Guide to Mating Part No
 Keying to Mating Part None
 Lock to Mating Part Yes
 Material - Plating Mating Tin
 Material - Plating Termination Tin
 Material - Resin Polyester
 Net Weight 469.000/mg
 Number of Rows 1
 Orientation Vertical
 PC Tail Length 3.40mm
 PCB Locator Yes
 PCB Retention Yes
 PCB Thickness - Recommended 1.60mm
 Packaging Type Bag
 Pitch - Mating Interface 2.50mm
 Polarized to PCB Yes
 Shrouded Fully
 Stackable No
 Surface Mount Compatible (SMC) No
 Temperature Range - Operating -40°C to +105°C
 Termination Interface: Style Through Hole

Electrical

Current - Maximum per Contact 3.0A
 Voltage - Maximum 250V



Series image - Reference only

EU ELV

Not Relevant

EU RoHS

Compliant

REACH SVHC

Not Contained Per -
 ED/21/2016 (20 June
 2016)

Halogen-Free

Status

Not Low-Halogen

**Need more information on product
 environmental compliance?**

Email productcompliance@molex.com
 Please visit the [Contact Us](#) section for any
 non-product compliance questions.

China ROHS

Green Image

ELV

Not Relevant

RoHS Phthalates

Not Contained

Search Parts in this Series

53375 Series

Mates With

Mini-Lock™ Wire-to-Board and Wire-to-Wire
 Crimp Terminal 51103 , 51102 , 51163

Material Info

Reference - Drawing Numbers

Product Specification

PS-51163-002, RPS-51103-009, RPS-51103-010,
RPS-51103-011, RPS-51103-032, RPS-51103-041,
RPS-51103-046, RPS-51103-047, RPS-51103-050,
RPS-51103-056, RPS-51163-002, RPS-51163-004
SD-53375-001

Sales Drawing

This document was generated on 10/25/2016

PLEASE CHECK WWW.MOLEX.COM FOR LATEST PART INFORMATION