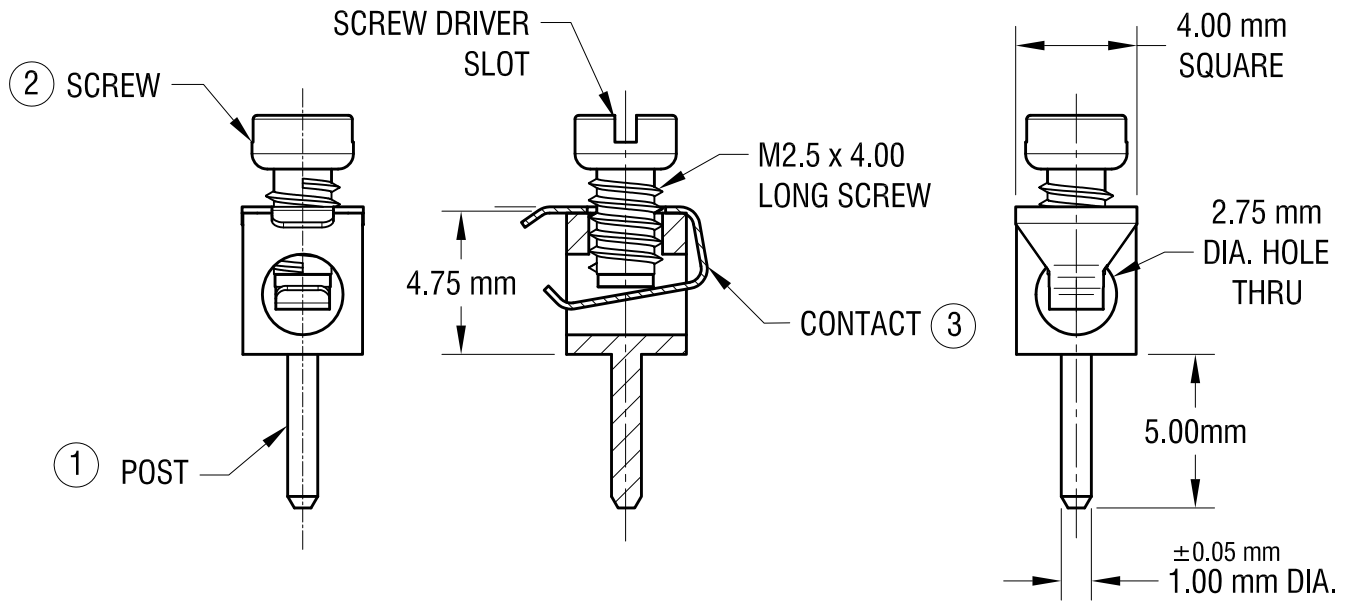
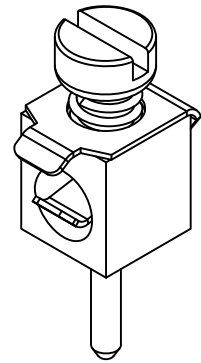


THIS DOCUMENT IS THE PROPERTY OF KEYSTONE ELECTRONICS CORP. AND SHALL NOT BE REPRODUCED, DISTRIBUTED OR USED AS A BASIS FOR MANUFACTURE WITHOUT PRIOR WRITTEN PERMISSION FROM KEYSTONE ELECTRONICS CORP.



**NOTE:**

- 1. ALL DIMENSIONS ARE IN MILLIMETERS.
- 2. SUGGESTED MOUNTING HOLE: 1.17mm DIA.
- 3. SUPPLIED ASSEMBLED

ITEM	DESCRIPTION	MATERIAL/FINISH
1	POST	BRASS, TIN PLATE
2	SCREW	STEEL, ZINC PLATE
3	CONTACT	.006 [0.15] TH'K PHOSPHOR BRONZE, TIN PLATE

**KEYSTONE ELECTRONICS CORP.**

www.keyelco.com • ASTORIA, N.Y. 11105-2017 • Tel (718) 956-8900

PART NAME

METRIC MINIATURE BINDING POST

MATERIAL

AS NOTED

FINISH

AS NOTED

DRN BY

NT

DATE

2.24.09

APP'D

LN

SCALE

4X

TOLERANCES

INCH [MM]

DECIMAL ± .005 [± 0.15]

CODE

ANGULAR ± 1°  
UNLESS OTHERWISE SPECIFIED

DWG NO.

C/M

**8737**

DATE	DESCRIPTION	REV.