

**PLEASE CHECK WWW.MOLEX.COM FOR LATEST PART INFORMATION**

**Part Number:** [0432026101](#)  
**Status:** **Active**  
**Overview:** [Modular Jacks and Plugs](#)  
**Description:** Modular Jack, Right Angle, Low Profile, 6/6

**Documents:**

|  |  |
|--|--|
| <a href="#">3D Model</a>                                     | <a href="#">Packaging Specification PK-43202-003 (PDF)</a> |
| <a href="#">Drawing (PDF)</a>                                | <a href="#">Test Summary TS-43202-002-001 (PDF)</a>        |
| <a href="#">Product Specification PS-43202-001-001 (PDF)</a> | <a href="#">RoHS Certificate of Compliance (PDF)</a>       |

**Agency Certification**

|     |         |
|-----|---------|
| CSA | LR19980 |
| UL  | E107635 |

**General**

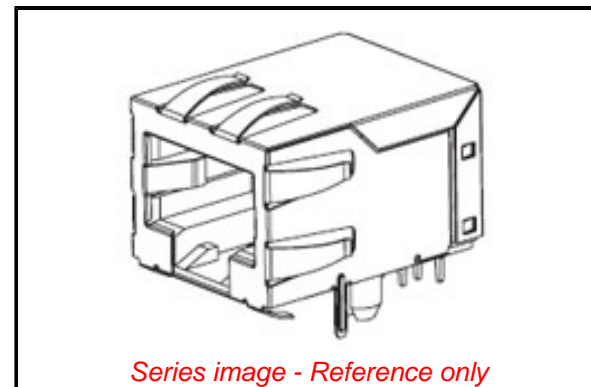
|                           |   |
|---------------------------|---|
| Product Family            | Modular Jacks/Plugs                     |
| Series                    | <a href="#">43202</a>                   |
| Comments                  | Enhanced panel grounding tabs           |
| Component Type            | PCB Jack                                |
| Magnetic                  | No                                      |
| Overview                  | <a href="#">Modular Jacks and Plugs</a> |
| Performance Category      | 3, 4                                    |
| Power over Ethernet (PoE) | N/A                                     |
| Product Name              | RJ11                                    |
| UPC                       | 800753629981                            |

**Physical**

|                                |                                |
|--------------------------------|--------------------------------|
| Color - Resin                  | Black                          |
| Durability (mating cycles max) | 500                            |
| Flammability                   | 94V-0                          |
| Inverted / Top Latch           | No                             |
| Jack Height                    | 11.58mm                        |
| Lightpipes/LEDs                | None                           |
| Material - Metal               | Phosphor Bronze                |
| Material - Plating Mating      | Gold                           |
| Material - Plating Termination | Tin                            |
| Material - Resin               | High Temperature Thermoplastic |
| Net Weight                     | 2.305/g                        |
| Orientation                    | Right Angle (Side Entry)       |
| PCB Retention                  | Yes                            |
| PCB Thickness - Recommended    | 1.60mm                         |
| Packaging Type                 | Tray                           |
| Pitch - Mating Interface       | 1.02mm                         |
| Pitch - Termination Interface  | 1.27mm                         |
| Plating min - Mating           | 1.270µm                        |
| Plating min - Termination      | 2.540µm                        |
| Ports                          | 1                              |
| Positions / Loaded Contacts    | 6/6                            |
| Surface Mount Compatible (SMC) | Yes                            |
| Temperature Range - Operating  | -40°C to +85°C                 |
| Termination Interface: Style   | Through Hole                   |
| Wire/Cable Type                | N/A                            |

**Electrical**

|                               |      |
|-------------------------------|------|
| Current - Maximum per Contact | 1.5A |
| Shielded                      | No   |
| Voltage - Maximum             | 125V |



*Series image - Reference only*

**EU ELV**

**Not Relevant**

**EU RoHS**

**Compliant**

**REACH SVHC**

Not Contained Per -  
ED/21/2016 (20 June  
2016)

**Halogen-Free**

**Status**

**Not Low-Halogen**

**Need more information on product  
environmental compliance?**

Email [productcompliance@molex.com](mailto:productcompliance@molex.com)  
Please visit the [Contact Us](#) section for any  
non-product compliance questions.

|                 |               |
|-----------------|---------------|
| China ROHS      | Green Image   |
| ELV             | Not Relevant  |
| RoHS Phthalates | Not Contained |

**Search Parts in this Series**

[43202 Series](#)

**Mates With**

FCC 68 Plugs

**Solder Process Data**

|  |      |
|--|------|
| Duration at Max. Process Temperature (seconds) | 005  |
| Lead-free Process Capability                   | WAVE |
| Max. Cycles at Max. Process Temperature        | 001  |
| Process Temperature max. C                     | 260  |

**Material Info****Reference - Drawing Numbers**

|                         |                  |
|-------------------------|------------------|
| Packaging Specification | PK-43202-003     |
| Product Specification   | PS-43202-001-001 |
| Test Summary            | TS-43202-002-001 |

This document was generated on 10/24/2016

**PLEASE CHECK [WWW.MOLEX.COM](http://WWW.MOLEX.COM) FOR LATEST PART INFORMATION**