

PLEASE CHECK WWW.MOLEX.COM FOR LATEST PART INFORMATION

Part Number: [0702461004](#)
Status: **Active**
Overview: C-Grid® Products
Description: 2.54mm Pitch C-Grid® Header, Low Profile, Dual Row, Vertical, Shrouded, 10 Circuits, 0.13µm Gold (Au) Selective Plating, Tin (Sn) PC Tail Plating

Documents:

| | |
|--|--|
| 3D Model | Packaging Specification PK-70246-001 (PDF) |
| Drawing (PDF) | Packaging Specification PK-87835-001 (PDF) |
| Product Specification PS-70246-100 (PDF) | RoHS Certificate of Compliance (PDF) |

Agency Certification

| | |
|-----|---------|
| CSA | LR19980 |
| UL | E29179 |

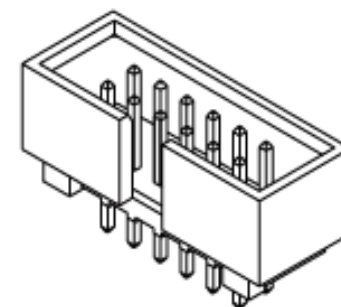
General

| | |
|----------------|----------------------------------|
| Product Family | PCB Headers |
| Series | 70246 |
| Application | Signal, Wire-to-Board |
| Overview | C-Grid® Products |
| Product Name | C-Grid® |
| UPC | 822348755905 |

Physical

| | |
|--------------------------------|-----------------|
| Breakaway | No |
| Circuits (Loaded) | 10 |
| Circuits (maximum) | 10 |
| First Mate / Last Break | No |
| Flammability | 94V-0 |
| Glow-Wire Compliant | No |
| Guide to Mating Part | No |
| Keying to Mating Part | None |
| Lock to Mating Part | None |
| Material - Metal | Brass |
| Material - Plating Mating | Gold |
| Material - Plating Termination | Tin-Lead |
| Net Weight | 1.467/g |
| Number of Rows | 2 |
| Orientation | Vertical |
| PC Tail Length | 3.43mm |
| PCB Locator | No |
| PCB Retention | None |
| PCB Thickness - Recommended | 1.60mm |
| Packaging Type | Tray |
| Pitch - Mating Interface | 2.54mm |
| Pitch - Termination Interface | 2.54mm |
| Plating min - Mating | 0.127µm |
| Plating min - Termination | 1.905µm |
| Polarized to Mating Part | Center Slot |
| Polarized to PCB | No |
| Shrouded | Fully |
| Stackable | No |
| Surface Mount Compatible (SMC) | No |
| Temperature Range - Operating | -55°C to +120°C |
| Termination Interface: Style | Through Hole |

Electrical



Series image - Reference only

EU ELV

Not Relevant

EU RoHS

Compliant

REACH SVHC

Not Contained Per - ED/21/2016 (20 June 2016)

Halogen-Free

Status

Not Low-Halogen

Need more information on product environmental compliance?

Email productcompliance@molex.com
Please visit the [Contact Us](#) section for any non-product compliance questions.

China ROHS

ELV

RoHS Phthalates

China RoHS

Green Image

Not Relevant

Not Contained

Search Parts in this Series

[70246](#) Series

Mates With

[70450](#) SL™ Crimp Housing, [70058](#) SL™ Crimp Terminal

| | |
|-------------------------------|---------|
| Current - Maximum per Contact | 2.5A |
| Voltage - Maximum | 250V DC |

Solder Process Data

| | |
|--|------|
| Duration at Max. Process Temperature (seconds) | 010 |
| Lead-free Process Capability | WAVE |
| Max. Cycles at Max. Process Temperature | 001 |
| Process Temperature max. C | 235 |

Material Info**Reference - Drawing Numbers**

| | |
|-------------------------|----------------------------|
| Packaging Specification | PK-70246-001, PK-87835-001 |
| Product Specification | PS-70246-100 |
| Sales Drawing | SDA-70246-20-25_39 |

This document was generated on 10/20/2016

PLEASE CHECK WWW.MOLEX.COM FOR LATEST PART INFORMATION