

**PLEASE CHECK WWW.MOLEX.COM FOR LATEST PART INFORMATION**

**Part Number:** [0480250002](#)  
**Status:** **Active**  
**Overview:** Magnetic Modular Jacks  
**Description:** Modular Jack, Right Angle, 10/100, with Integrated Magnetic and LED, 8/8, Tail Length 2.80mm for IR Reflow, Lead-Free

**Documents:**

<a href="#">3D Model</a>	<a href="#">Packaging Specification PK-48025-001 (PDF)</a>
<a href="#">Drawing (PDF)</a>	<a href="#">Test Summary TS-48025-006 (PDF)</a>
<a href="#">Product Specification PS-48025-004 (PDF)</a>	<a href="#">RoHS Certificate of Compliance (PDF)</a>

**Agency Certification**

CSA	LR19980
UL	E107635

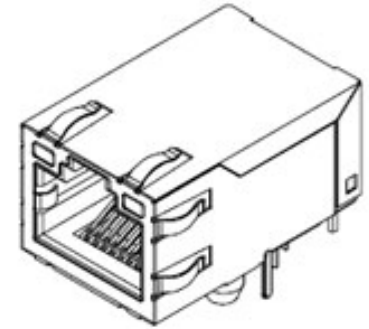
**General**

Product Family	Modular Jacks/Plugs
Series	<a href="#">48025</a>
Comments	With Lightpipes Tail Length: 2.80mm
Component Type	PCB Jack
Magnetic	Yes
Overview	<a href="#">Magnetic Modular Jacks</a>
Performance Category	5, 5e
Power over Ethernet (PoE)	Non-PoE
Product Name	Magnetic Jack
UPC	822350301671

**Physical**

Boot Color	N/A
Color - Resin	Black
Durability (mating cycles max)	750
Flammability	94V-0
Inverted / Top Latch	Yes
Jack Height	13.30mm
Keying to Mating Part	Yes
Lightpipes/LEDs	LEDs
Material - Metal	Brass, Phosphor Bronze
Material - Plating Mating	Gold
Material - Plating Termination	Tin
Material - Resin	High Temperature Thermoplastic
Net Weight	7.000/g
Orientation	Right Angle (Side Entry)
PCB Locator	Yes
PCB Retention	Yes
PCB Thickness - Recommended	1.60mm
Packaging Type	Tray
Pitch - Mating Interface	1.02mm
Pitch - Termination Interface	1.27mm
Ports	1
Positions / Loaded Contacts	8/8
Surface Mount Compatible (SMC)	Yes
Temperature Range - Operating	-40°C to +70°C
Termination Interface: Style	Through Hole
Waterproof / Dustproof	No
Wire/Cable Type	N/A

**Electrical**



Series image - Reference only

**EU ELV**

**Not Relevant**

**EU RoHS**

**Compliant**

**REACH SVHC**

Not Contained Per -  
ED/21/2016 (20 June  
2016)

**Halogen-Free**

**Status**

**Low-Halogen**

**Need more information on product environmental compliance?**

Email [productcompliance@molex.com](mailto:productcompliance@molex.com)  
Please visit the [Contact Us](#) section for any non-product compliance questions.

China ROHS

ELV

RoHS Phthalates

Green Image

Not Relevant

Not Contained

**Search Parts in this Series**

[48025 Series](#)

**Mates With**

FCC 68 Plugs

Current - Maximum per Contact	1.5A
Grounding to PCB	Yes
Grounding to Panel	Panel Ground Tab
Shielded	Yes
Voltage - Maximum	150V AC (RMS)

**Solder Process Data**

Duration at Max. Process Temperature (seconds)	003
Lead-free Process Capability	REFLOW
Max. Cycles at Max. Process Temperature	002
Process Temperature max. C	260

**Material Info****Reference - Drawing Numbers**

Packaging Specification	PK-48025-001
Product Specification	PS-48025-004
Sales Drawing	SD-48025-006
Test Summary	TS-48025-006

This document was generated on 10/27/2016

**PLEASE CHECK [WWW.MOLEX.COM](http://WWW.MOLEX.COM) FOR LATEST PART INFORMATION**