

PLEASE CHECK WWW.MOLEX.COM FOR LATEST PART INFORMATION

Part Number: **0539275019**
Status: **Active**
Overview: CompactFlash™
Description: 1.27mm Pitch CF Card Header - Right Angle, Surface Mount Reverse Mounting For Type I Cards, Tray Packaging

Documents:

[3D Model](#) [Product Specification PS-55022-004 \(PDF\)](#)
[Drawing \(PDF\)](#) [RoHS Certificate of Compliance \(PDF\)](#)

General

Product Family	Memory Card Sockets
Series	53927
Overview	CompactFlash™
Product Name	CompactFlash
Style	Guide and Holder
UPC	822348186747

Physical

Card Detection Switch	N/A
Card Entry Location	Front
Circuits (Loaded)	50
Color - Resin	Natural
Durability (mating cycles max)	10000
Ejector Button Side	N/A
Material - Contact	Copper Alloy
Material - Plating Mating	Gold over Palladium Nickel
Material - Resin	High Temperature Thermoplastic
Net Weight	3292.000/mg
PCB Retention	Yes
Packaging Type	Tray
Pitch - Mating Interface	1.27mm
Temperature Range - Operating	-20°C to +90°C
Termination Interface: Style	Surface Mount

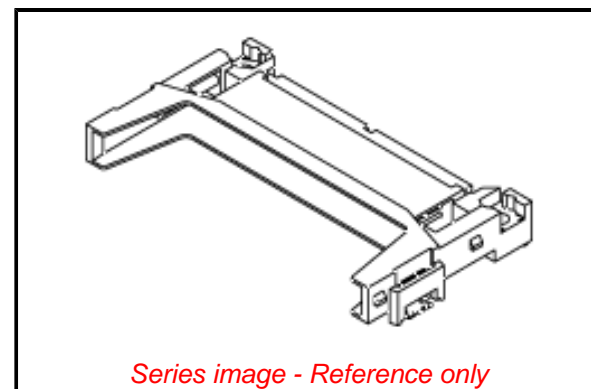
Electrical

Current - Maximum per Contact	0.5A
Voltage - Maximum	100V AC (RMS)
Voltage Key	3.3V, 5.0V

Material Info

Reference - Drawing Numbers

Product Specification	PS-55022-004
Sales Drawing	SD-53927-001



EU ELV

Not Relevant

EU RoHS

Compliant

REACH SVHC

Not Contained Per -
ED/21/2016 (20 June
2016)

Halogen-Free

Status

Low-Halogen

Need more information on product environmental compliance?

Email productcompliance@molex.com
Please visit the [Contact Us](#) section for any non-product compliance questions.

China ROHS

ELV

RoHS Phthalates

Green Image

Not Relevant

Not Contained

Search Parts in this Series

[53927](#) Series

Mates With

[67003](#) , [67114](#) , Industry Standard CF Card

Use With

[55021](#) , [55022](#)