

PLEASE CHECK WWW.MOLEX.COM FOR LATEST PART INFORMATION

Part Number: [0940905320](#)
Status: **Active**
Overview: Standard Quick-Disconnect Terminals
Description: 1 Circuit Housing for Quick Disconnect Female Terminal, Accepts 6.35 x 0.81mm Tab

Documents:

[3D Model](#) [Product Specification PS-94090-001 \(PDF\)](#)
[Drawing \(PDF\)](#) [RoHS Certificate of Compliance \(PDF\)](#)

General

Product Family	Crimp Housings
Series	94090
Application	Power, Wire-to-Wire
Overview	Standard Quick-Disconnect Terminals
Product Name	Quick Disconnect
UPC	800754328852

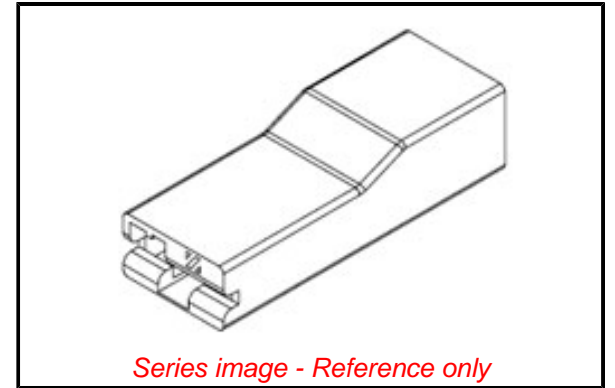
Physical

Breakaway	No
Circuits (maximum)	1
Color - Resin	Natural
Gender	Female
Glow-Wire Compliant	No
Keying to Mating Part	None
Lock to Mating Part	None
Material - Resin	Nylon
Net Weight	0.560/g
Number of Rows	1
Packaging Type	Carton
Panel Mount	No
Pitch - Mating Interface	N/A
Pitch - Termination Interface	N/A
Polarized to Mating Part	No
Ports	1
Stackable	No
Temperature Range - Operating	-40°C to +105°C

Material Info

Reference - Drawing Numbers

Product Specification	PS-94090-001
Sales Drawing	SD-94090-017



EU ELV

Compliant

EU RoHS

Compliant

REACH SVHC

Not Contained Per -
ED/21/2016 (20 June
2016)

Halogen-Free

Status

Low-Halogen

Need more information on product environmental compliance?

Email productcompliance@molex.com
Please visit the [Contact Us](#) section for any non-product compliance questions.

China ROHS

ELV

RoHS Phthalates

Green Image

Compliant

Not Contained

Search Parts in this Series

[94090 Series](#)

Use With

6.35 x 0.81mm Tab